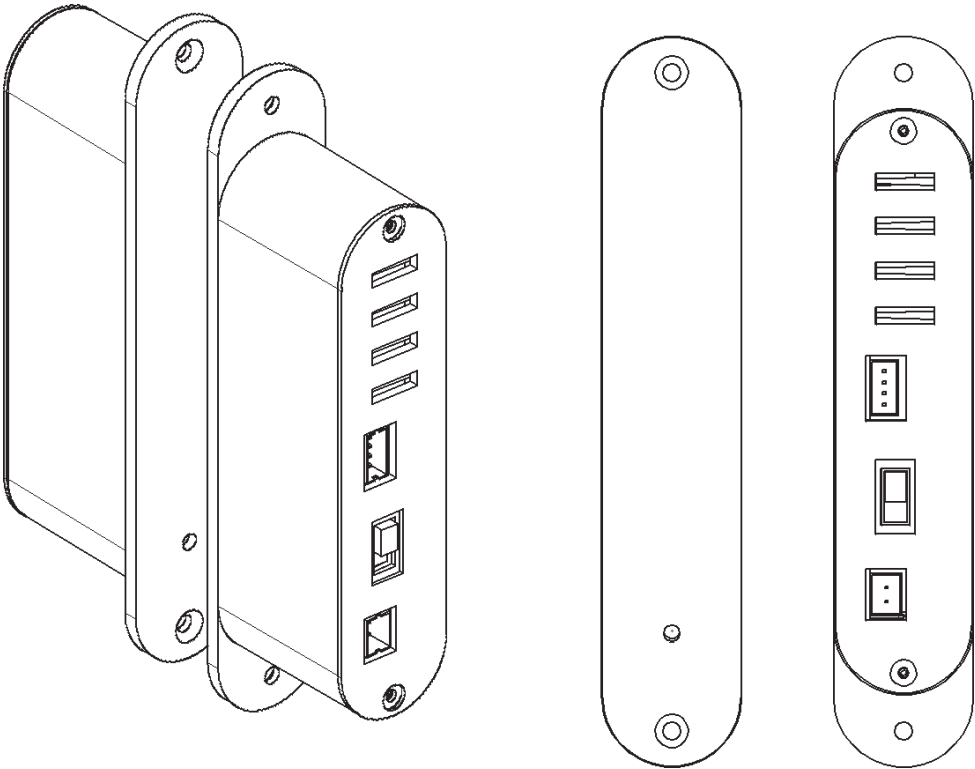




PowerJack

Installation Manual

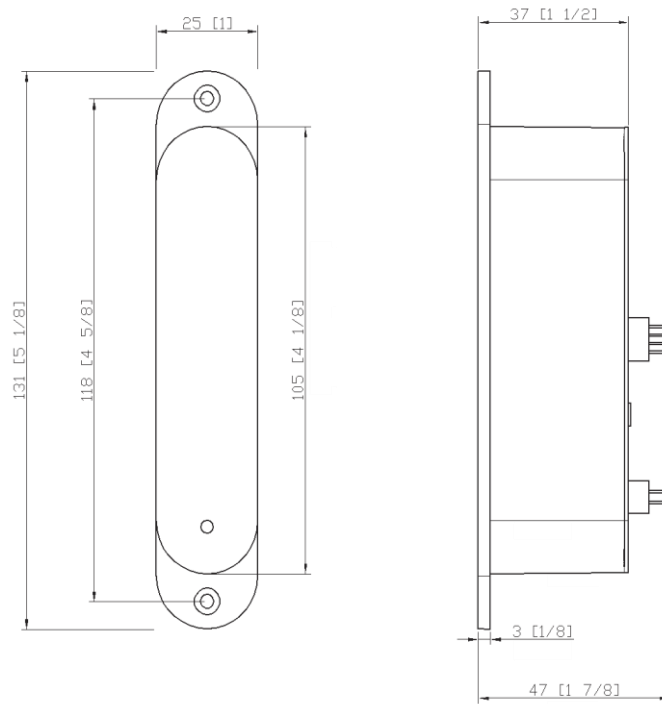


Technical Information(STA)

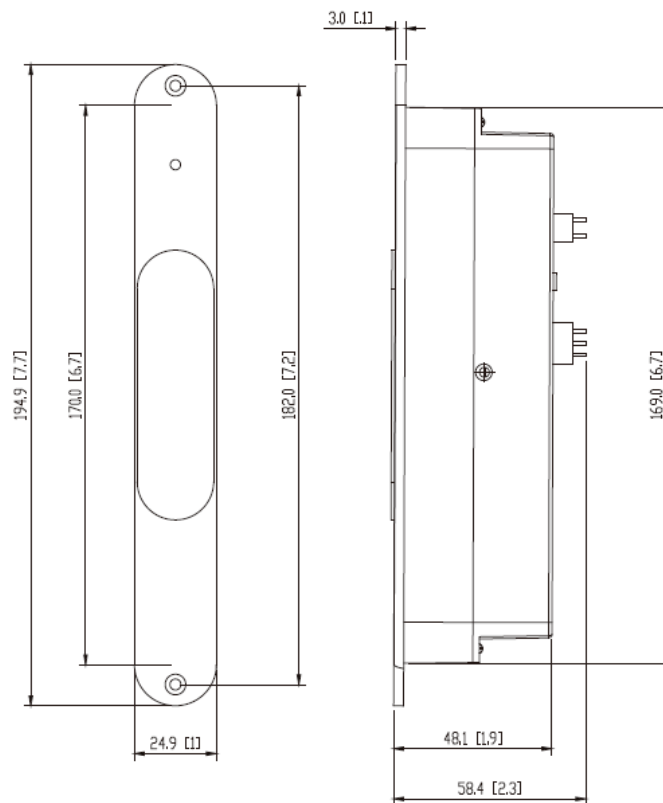
Dimensions	Frame Side&Door Side:	Atype:131x25x37 mm Btype:195x25x50 mm
	Use with	Fail Secure/PTO Locks Only
	Electrical rating	Input 600mA, 24V DC, powered by Class 2 or Class 3 power limited source. The length of connect cable is not great than 30m. Output 500mAf12V DC f 250mAf24V DC
	Max door gap:	7.0mm; Horizontal < 2mm, vertical < 2mm with door gap 5.0mm
	Door side (Receive):	DI X 2(REX,LLS)
I/O	Frame Side (Side):	DO X 2 Solid State Relay <ul style="list-style-type: none"> - 60V AC/DC, 200 mA - Door Status (Door Position) - Error Status DO X 2(NC/NO/COM) for Door Side DI X 2 <ul style="list-style-type: none"> - 30VDC,1A / 125VAC,300mA Door Open Timer <ul style="list-style-type: none"> - 3 Seconds(Fix Timer) - 1~90 Seconds(by Control)
	LED Indicator	Bi-Color LED @ Frame Side
	Operating Temperature	-20°C~60°C
	Package Contents	Recommended Tools
	1. Door side unit	1. Screwdriver
	2. Frame side unit	2. Electrodrill
	3. M3 wood self-tapping screws*4	3. Drill bit
	4. M3 metal self-tapping screws*2	4. Center chisel
	5. M3 countersunk screws*8	5. Pencil
	6. Washer*6	6. (wood)firmer chisel
		7. Rotary grinding tool

PowerJack Dimensions

Atype



Btype



Unit: mm / inch

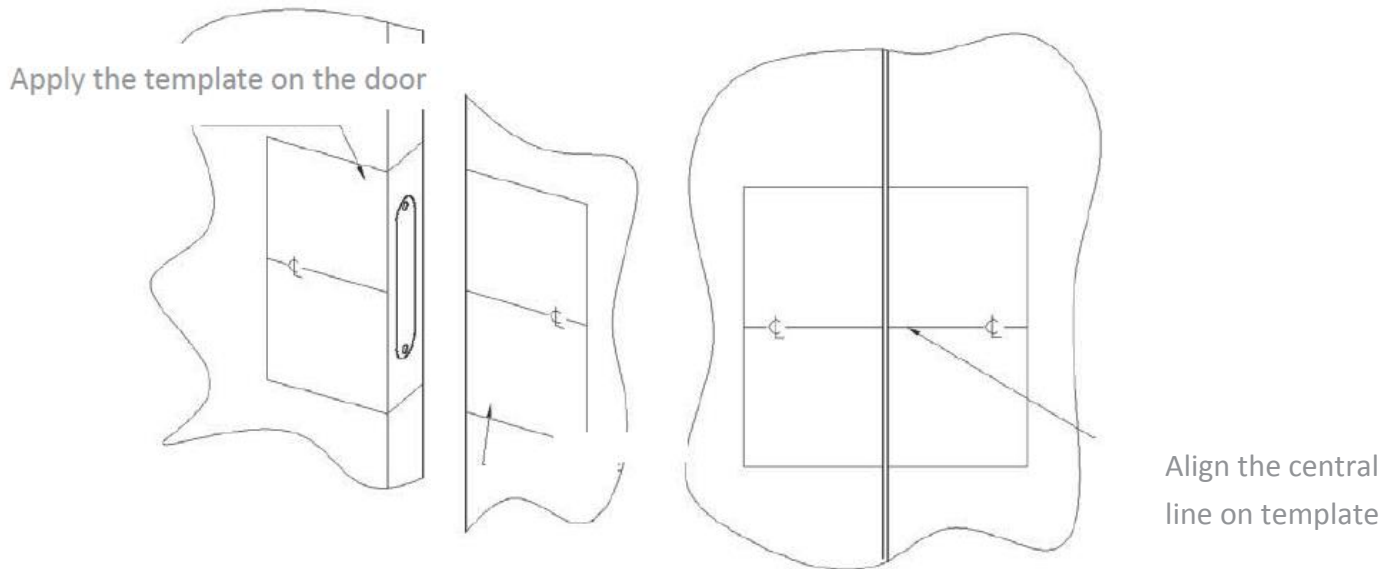
Installation Steps

Step1: Survey installation site

Requires depth of 47mm (1 7/8") in both of frame and door side

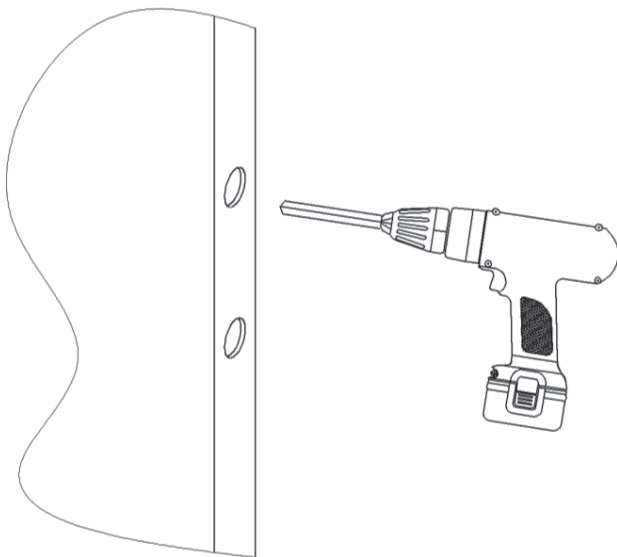
Step2: Location

Apply the templates on the door side& frame side, make sure door side& frame side are aligned.

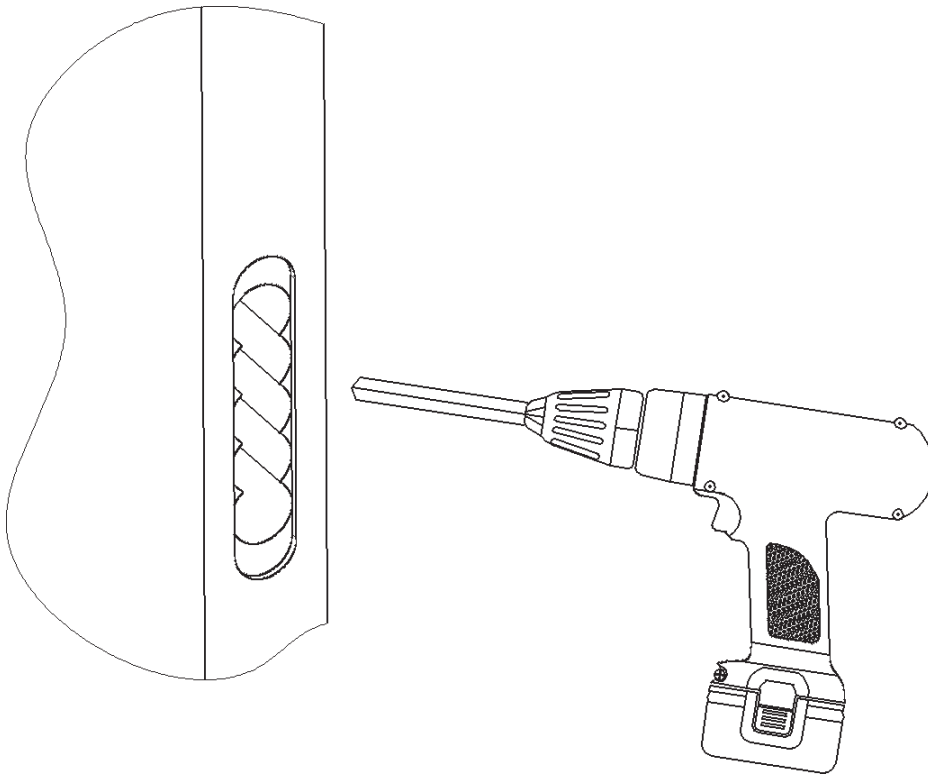


Step3: Installation in wood door or frame

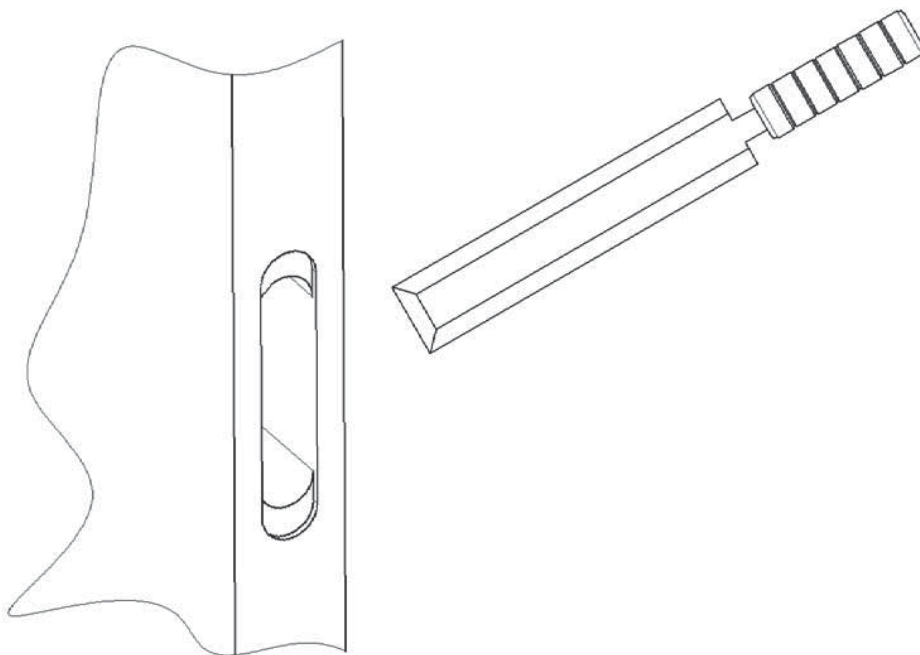
- Drill a hole for faceplate of depth of 3mm[1/8"] and diameter 25mm[1"] in the marked place by Electrodrill.



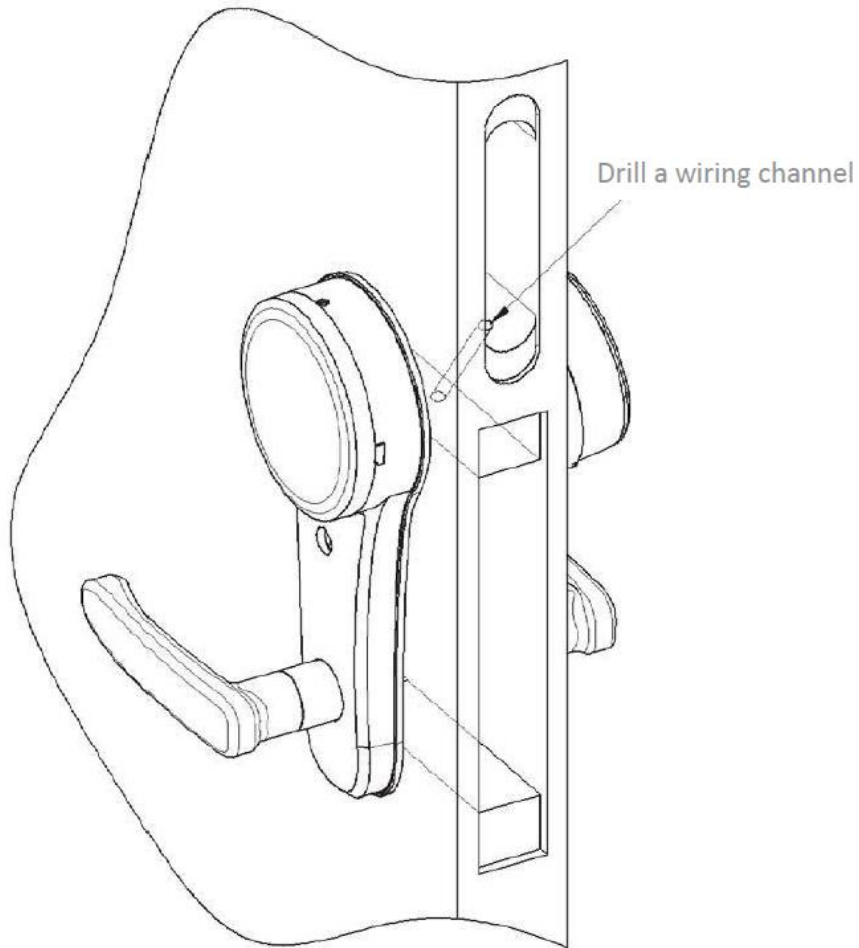
b. Drill a hole for PowerJack of depth of 7mm[1 7/8"] and diameter 25mm[1"] in the marked place.



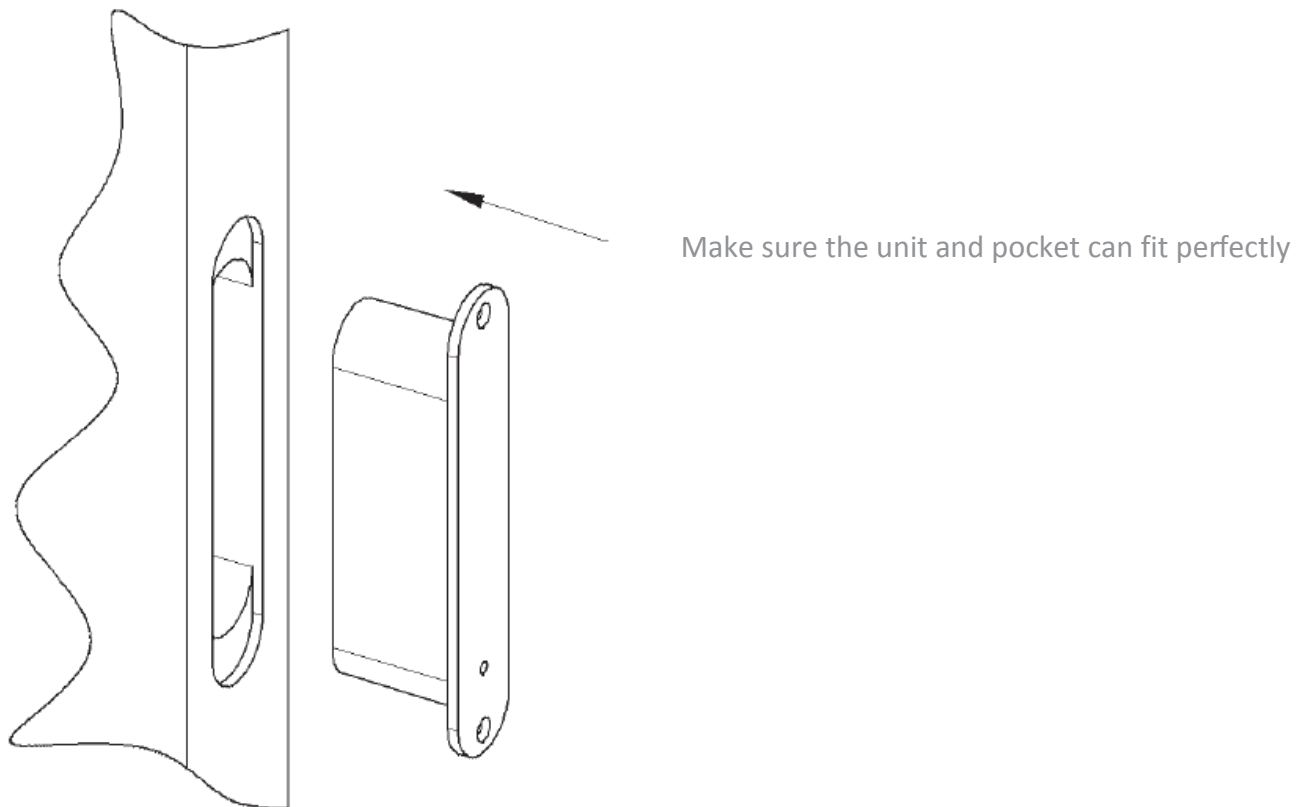
c. Using wood chisel to even the wood on the edge



d. Drill a wiring channel for connection to the device to be powered

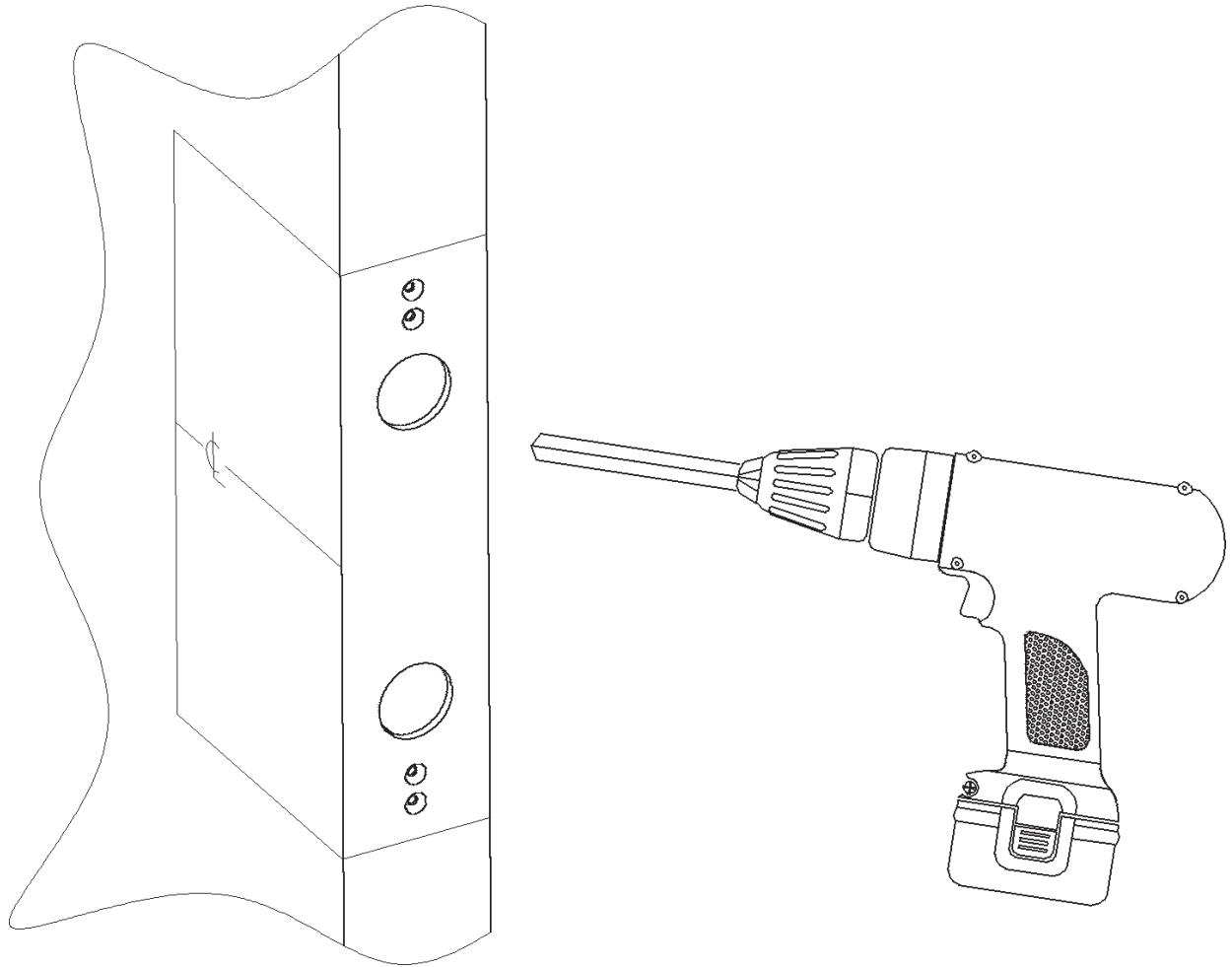


e. Put the PowerJack inside the pocket to see if it fits the pocket

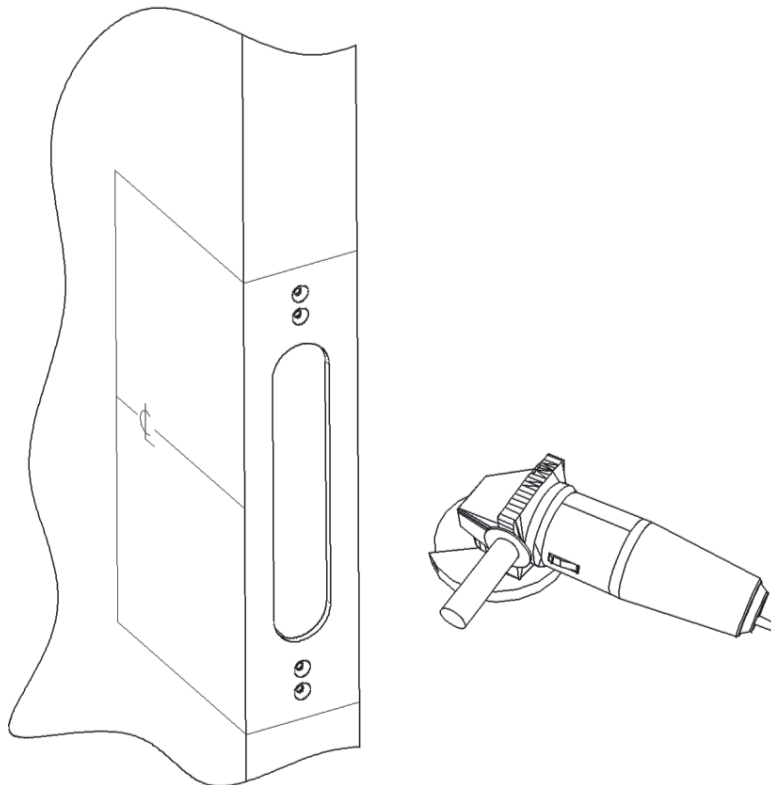


Step4 Installation in metal door or frame

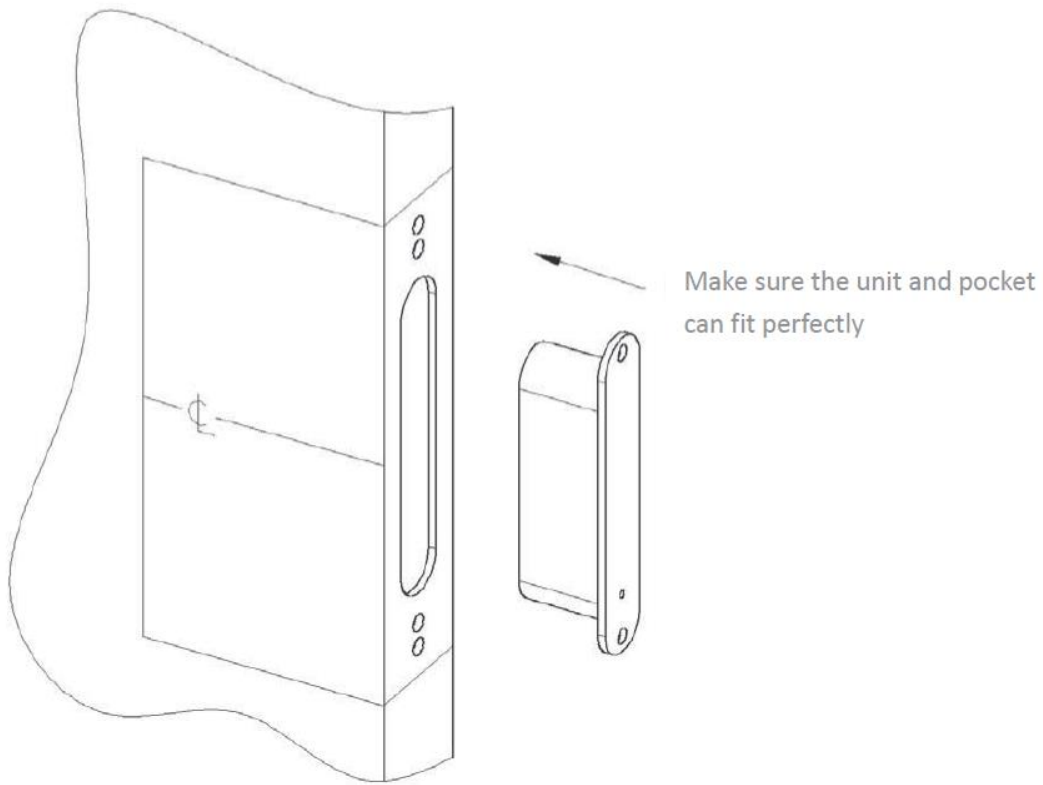
- a. Drill M3 countersunk screws hole according to template



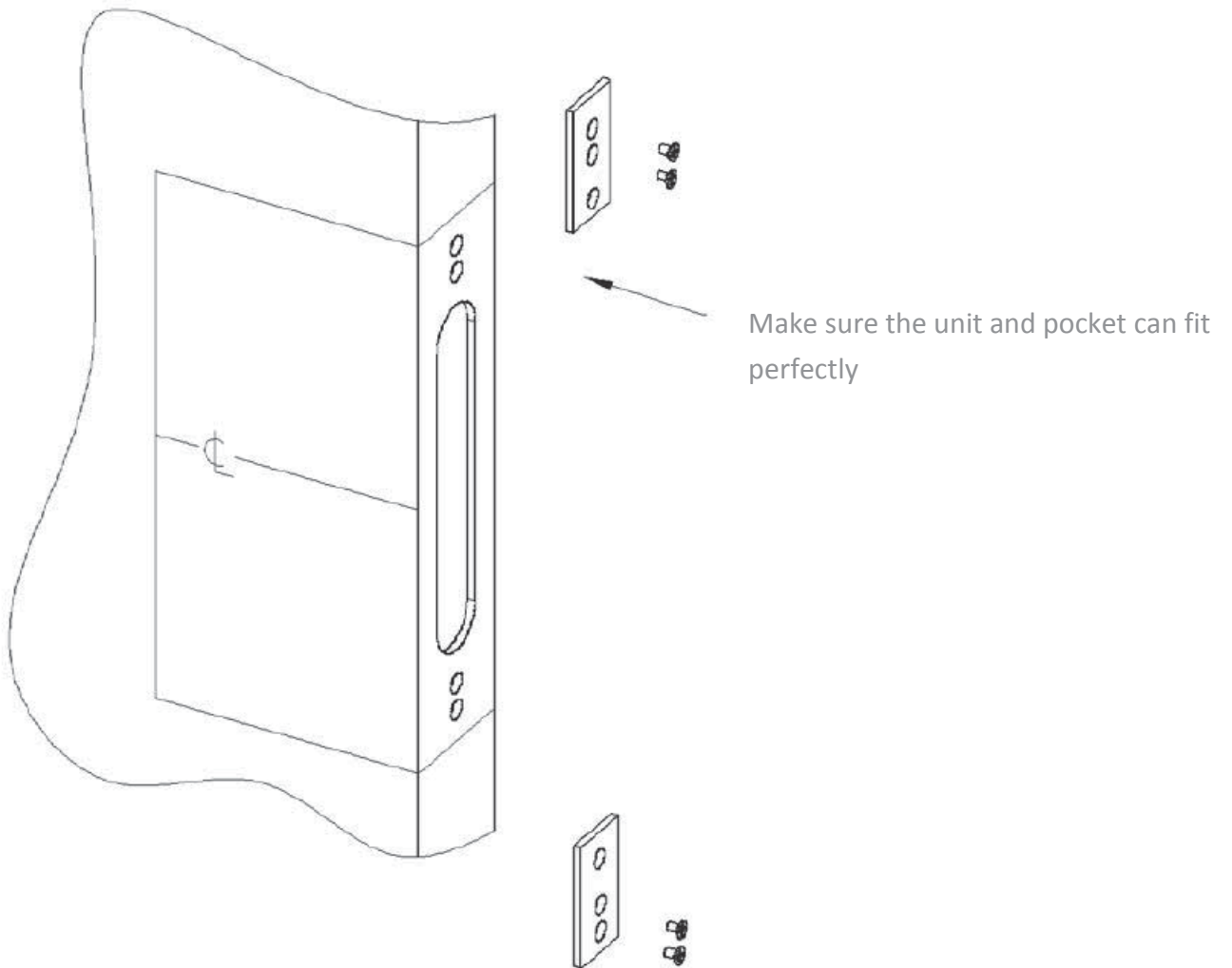
- b. Cut the marked pocket with metal rotary grinding tool



c. Put the PowerJack inside the pocket to see if it fits the space

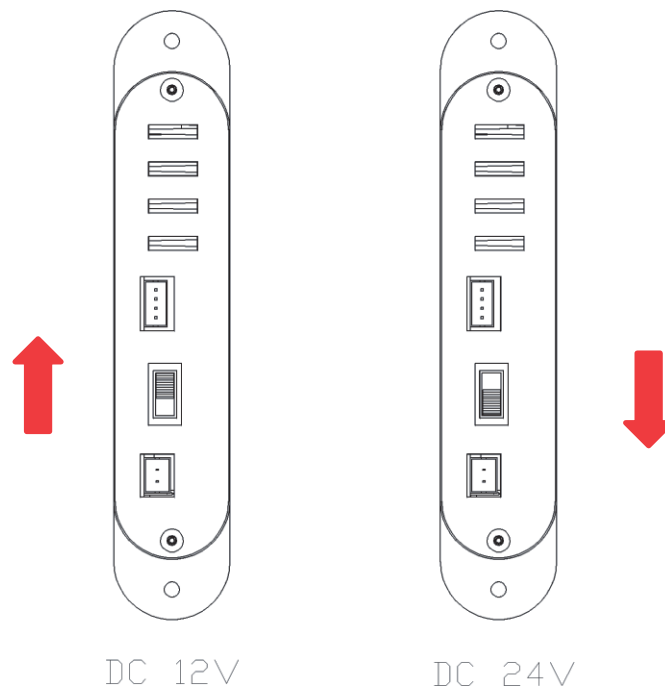


d. Fix the M3 countersunk screws by metal gasket



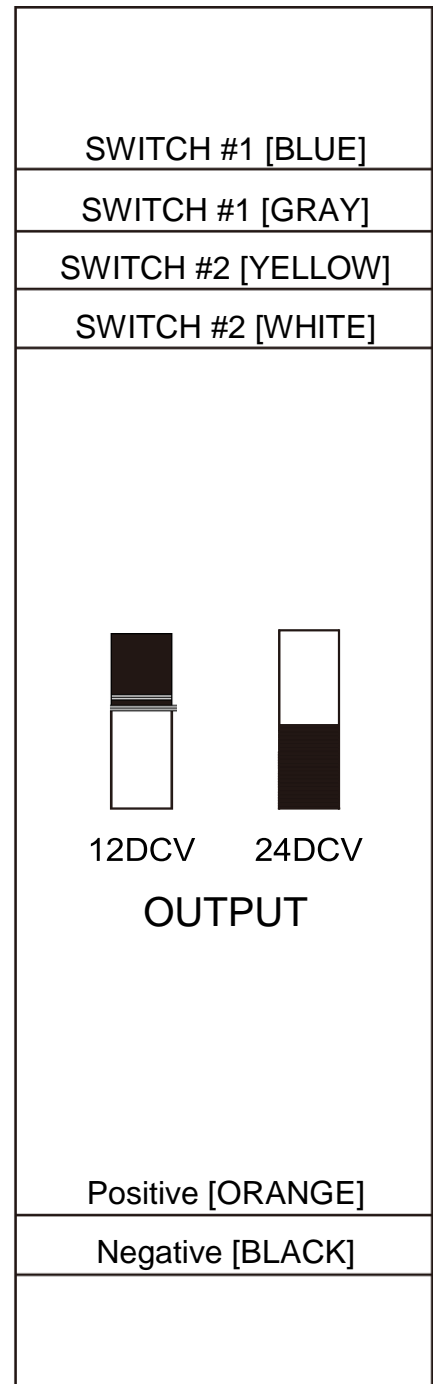
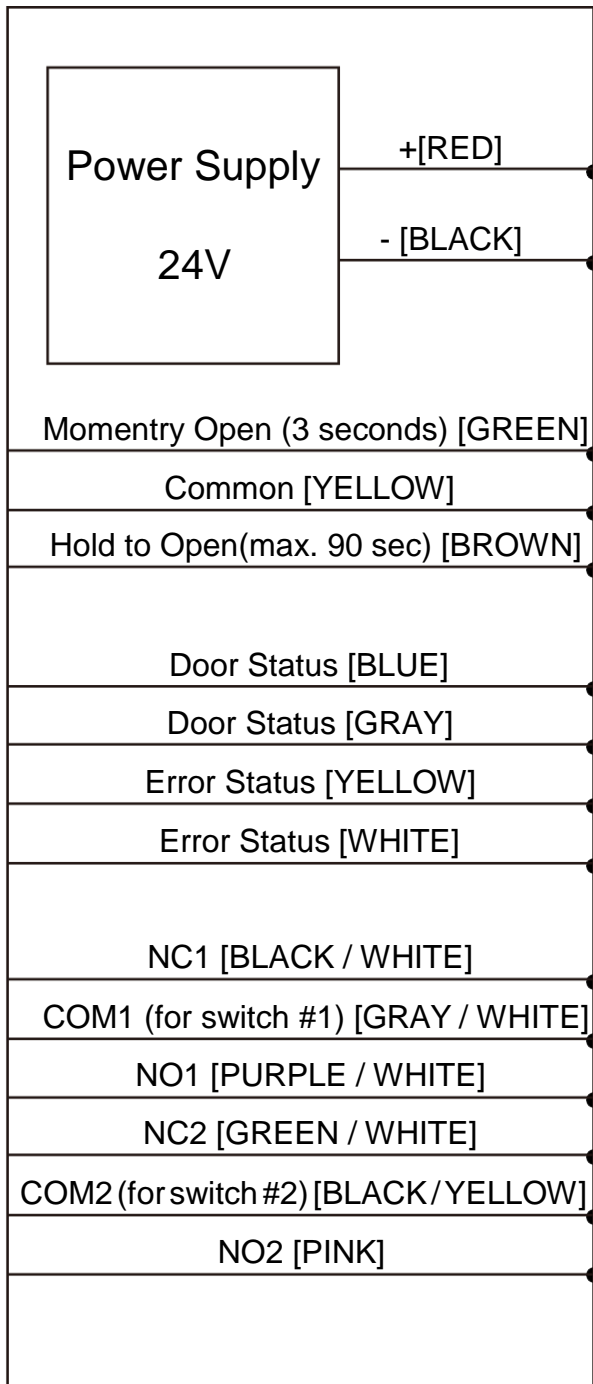
Step5. Voltage Selection and wiring

- a. Select output voltage of 12V or 24V by adjusting indicated switch
(Voltage adjustment only required to adjust door side)



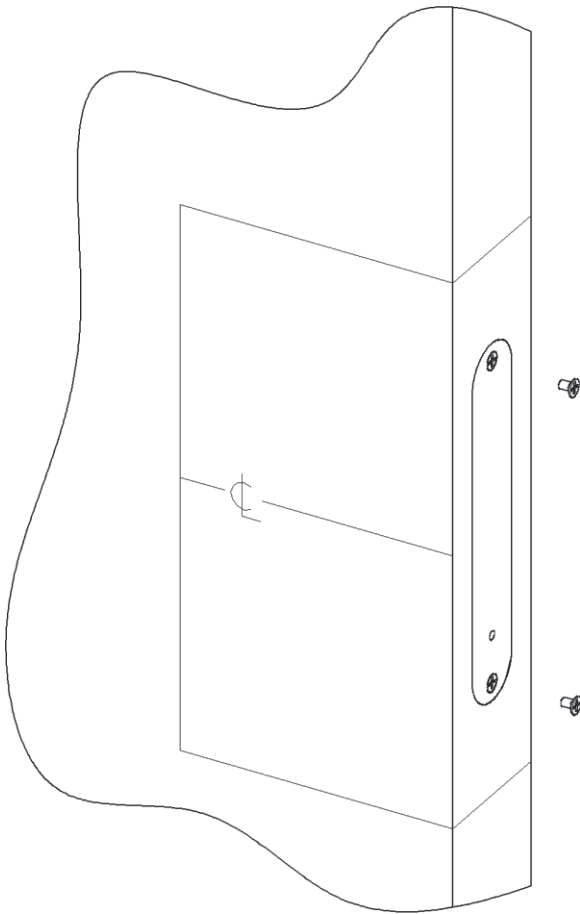
- b. Supply output 24 VDC to frame unit. Connect red wire to positive(+) and black wire to negative(-)
- c. Connect door side unit with the electronic device via wiring channel, connect orange wire to positive(+) and black wire to negative(-).

d. Sensor Wiring Diagram



Step6 Mount PowerJack

- a. Wood: use wood self-tapping screws
- b. Metal: use M3 countersunk screws



PowerJack NG status chart

TX status	Bi-LED(Green)	Bi-LED(Red)	Remark
Standby	On	Flash frequency 0.4 sec	Error Status DO open
Power supply to RX	Off	On	
Error Status Current over rating	Off	Flash frequency 0.2 sec	Stop supply power and Error status DO short circuit. Auto detect after 10sec, back to standby status if current monitor back to normal.
Error Status Temperature over heating	Off	Flash frequency 0.5 sec	Stop supply power and Error status DO short circuit. Keep monitor device temperature, back to standby status if temperature back to normal.

*Door status DO at TX side: When TX detect RX, door status will short circuit / back to open if no RX detected after 2sec.

RX status	LED(Red)	Remark
Standby	Flash frequency 0.4 sec	
Power supply from TX	On	

*RX detect current over rating or temperature over heating, power supply will be shut down.



FCC WARNING STATEMENT

This device complies with Part 15 of the FCC Rules. Operation is subject to the following two conditions: (1) this device may not cause harmful interference, and (2) this device must accept any interference received, including interference that may cause undesired operation.

IC WARNING STATEMENT

Canada, Industry Canada (IC) Notices

This Class B digital apparatus complies with Canadian ICES-003 and RSS-247. Operation is subject to the following two conditions: (1) this device may not cause interference, and (2) this device must accept any interference received, including interference that may cause undesired operation of the device.

Radio Frequency (RF) Exposure Information

The radiated output power of the Wireless Device is below the Industry Canada (IC) radio frequency exposure limits. The Wireless Device should be used in such a manner such that the potential for human contact during normal operation is minimized.

This device has also been evaluated and shown compliant with the IC RF Exposure limits under mobile exposure conditions (antennas are greater than 20cm from a person's body).



POWERTEK HARDWARE CO., LTD.

sales@pt-hardware.com

No.119, Hexiang 6th St., Beitun Dist.

40642, Taichung, Taiwan R.O.C.

Tel: 886 4 24376707

The copy right is for PowerTek use only.