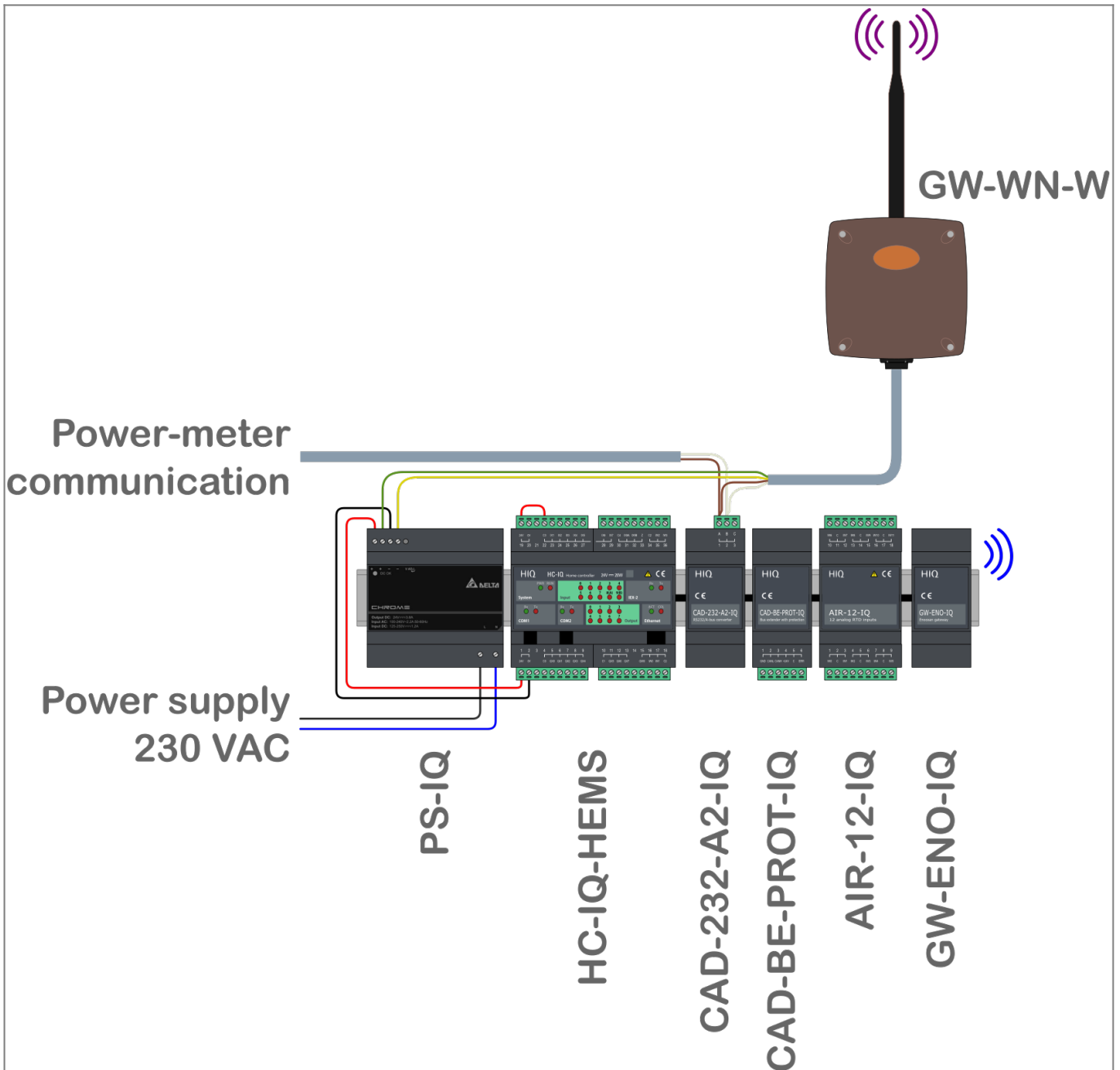



GOFLEX HEMS wiring

Control distribution-board wiring

Control system and Communication interfaces wiring

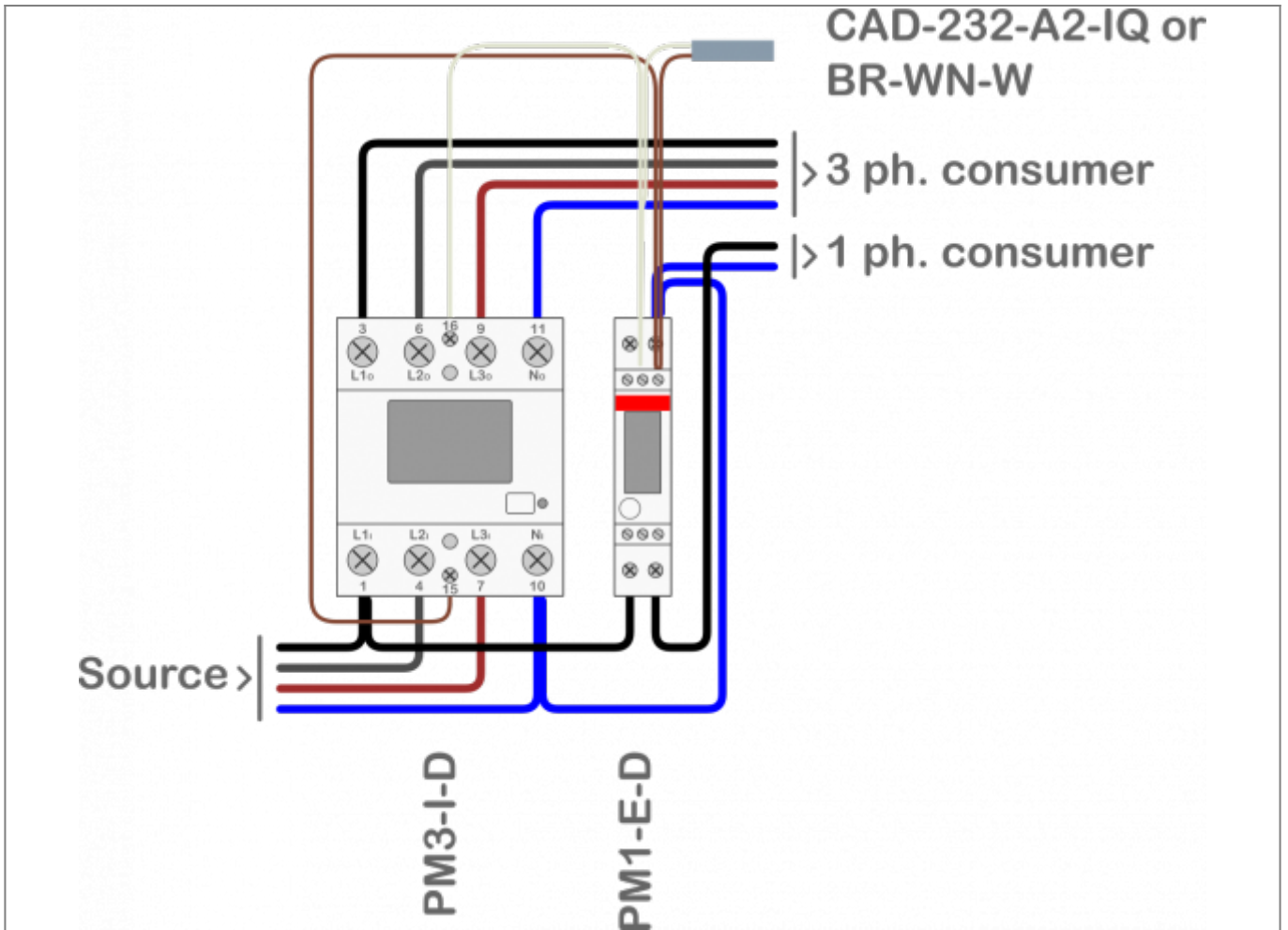


| | |
|-----------------|--------------------------------|
| PS-IQ | DIN rail |
| L, N | to 230 VAC power supply |
| +, - | to HC-IQ 24V, 0V (1, 2) |
| +, - | to GW-WN-W +, - |
| HC-IQ | DIN rail |
| 24V (1), 0V (2) | to PS-IQ +, - |
| C0 (4), C1 (10) | Power relays supply |

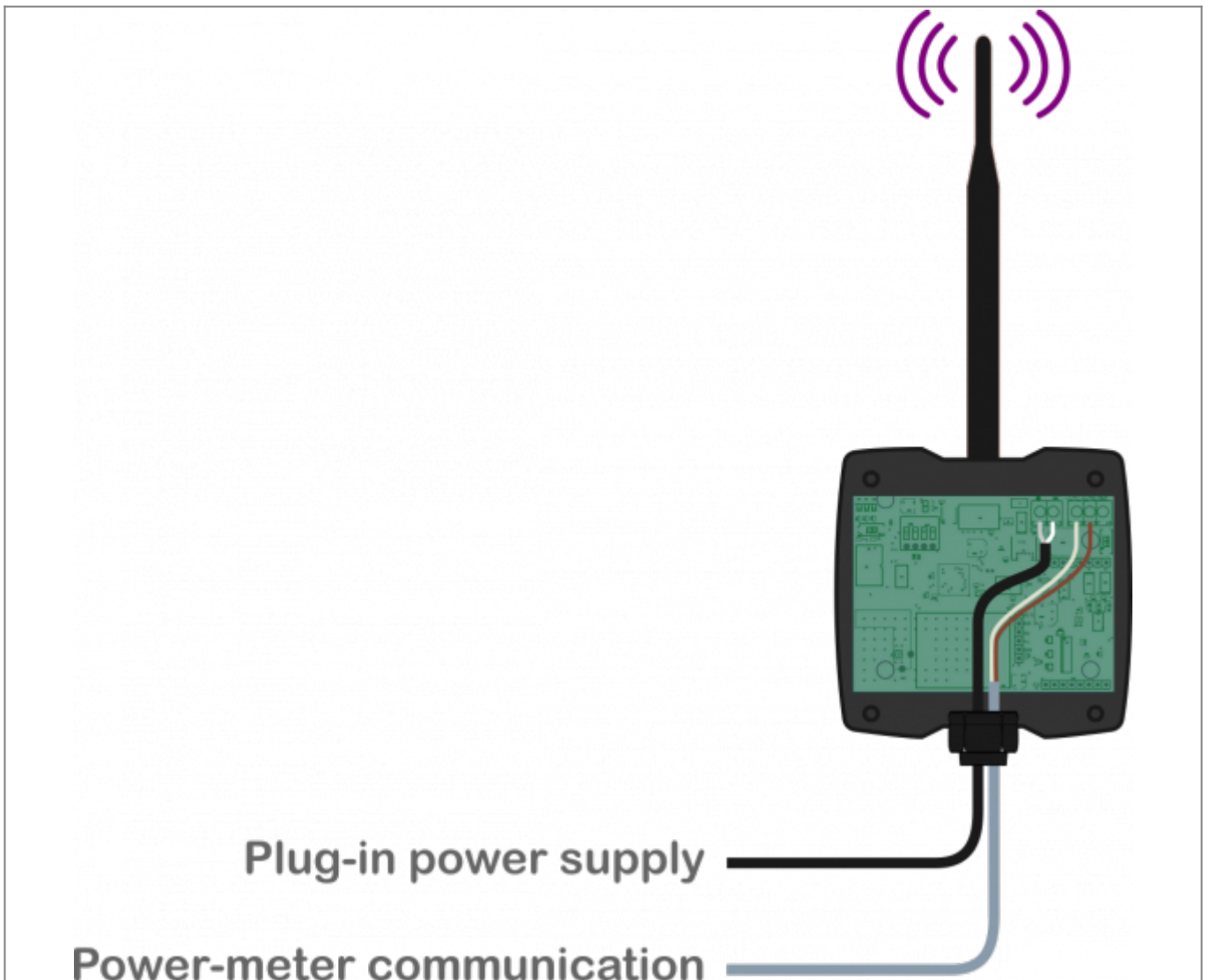
| | |
|---|--|
| QX0-QX7 (5-9, 11-13) | Managed loads power relays |
| 24V (19) | to HC-IQ C3 (22) |
| 0V (20) | to push-buttons common |
| IX1-IX7 (23-29) | to push-button |
| RJ10 (right side) | to next DIN rail module |
| CAD-232-A2-IQ | DIN rail |
| A (1), B (2), C (3) | RS485 bus to power-meters and to GW-WN-IQ |
| RJ10 (left side) | to previous DIN rail module |
| RJ10 (right side) | to next DIN rail module |
| CAD-BE-PROT-IQ | DIN rail |
| GND (1), CANL (2), CANH (3), +24V (4) | IEX2 bus to field modules |
| RJ10 (left side) | to previous DIN rail module |
| RJ10 (right side) | to next DIN rail module |
| AIR-12-IQ | DIN rail |
| IWx , C | Pt 1000 temperature probe |
| RJ10 (left side) | to previous DIN rail module |
| RJ10 (right side) | to next DIN rail module |
| GW-ENO-IQ | DIN rail |
| RJ10 (left side) | to previous DIN rail module |
| RJ10 (right side) | to next DIN rail module |
| GW-WN-W | on wall |
|  | |
| +, - | to PS-IQ +, - |
| Rx/T+, Tx/T- | to CAD-232-A2-IQ A, B |
| DIP settings | 1=ON, 2-8=OFF |

Power meters

Sources and consumers measurements



| | | |
|------------------|--|-----------------|
| PM3-I-D | | DIN rail |
| L1i, L2i, L3i, N | to power source L1, L2, L3, N (grid, local power plant, generator, ...) | |
| L1o, L2o, L3o, N | to consumers L1, L2, L3, N | |
| 15, 16 | to CAD-232-A2-IQ A,B or to BR-WN-W Rx/T+, Tx/T- when there is no possibility to connect directly | |
| PM1-E-D | | DIN rail |
| L↑ (1) | to power source L (grid, local power plant, generator, ...) | |
| L↓ (2) | to consumer L | |
| 9, 10 | to CAD-232-A2-IQ B,A or to BR-WN-W Tx/T-, Rx/T+ when there is no possibility to connect directly | |
| BR-WN-W | | on wall |

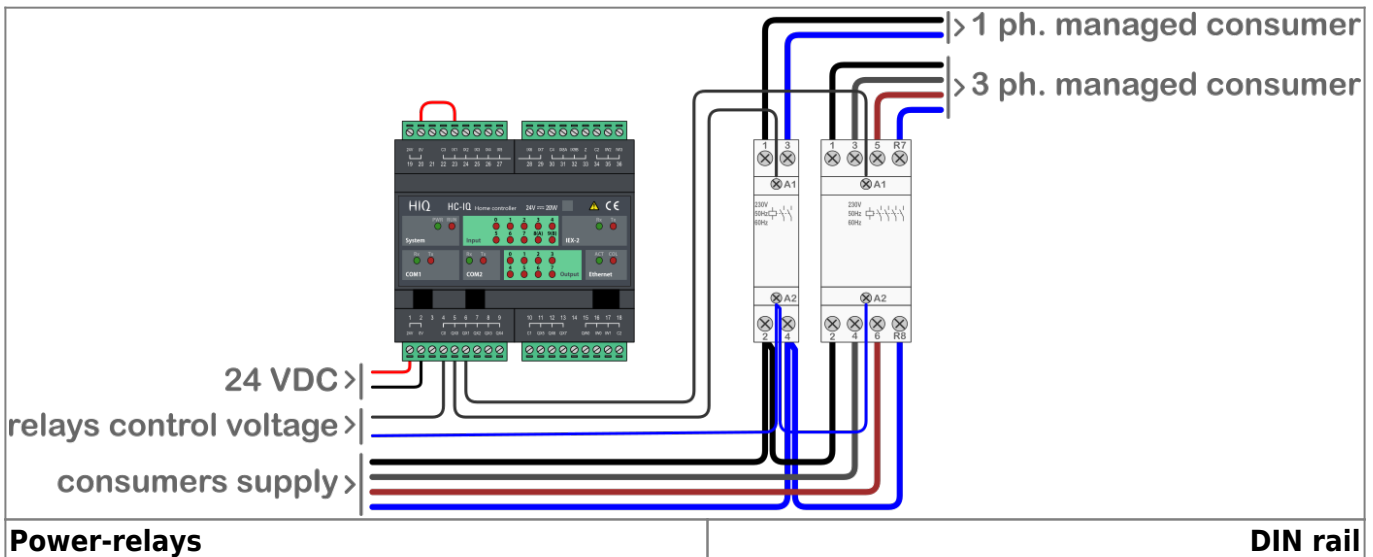


Plug-in power supply

Power-meter communication

| | |
|--------------|--|
| +, - | to Plug-in power supply +, - (included in the delivery) |
| Rx/T+, Tx/T- | to PM1-E-D 10, 9 or to PM3-I-D 15,16 |
| DIP settings | ALL OFF |

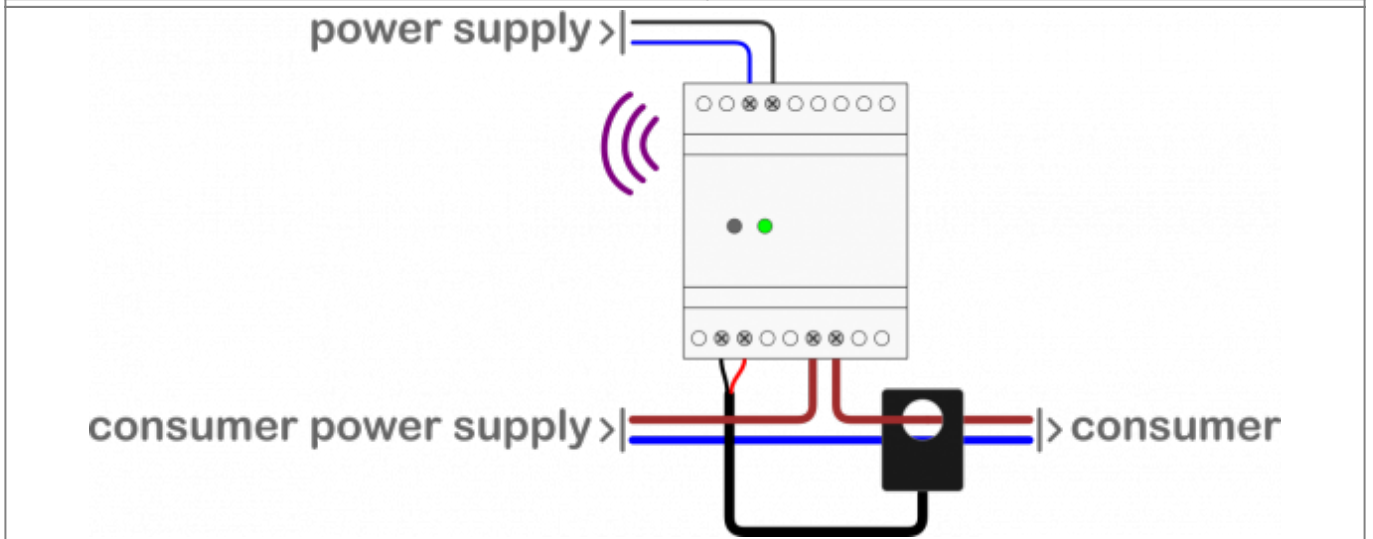
Load managers



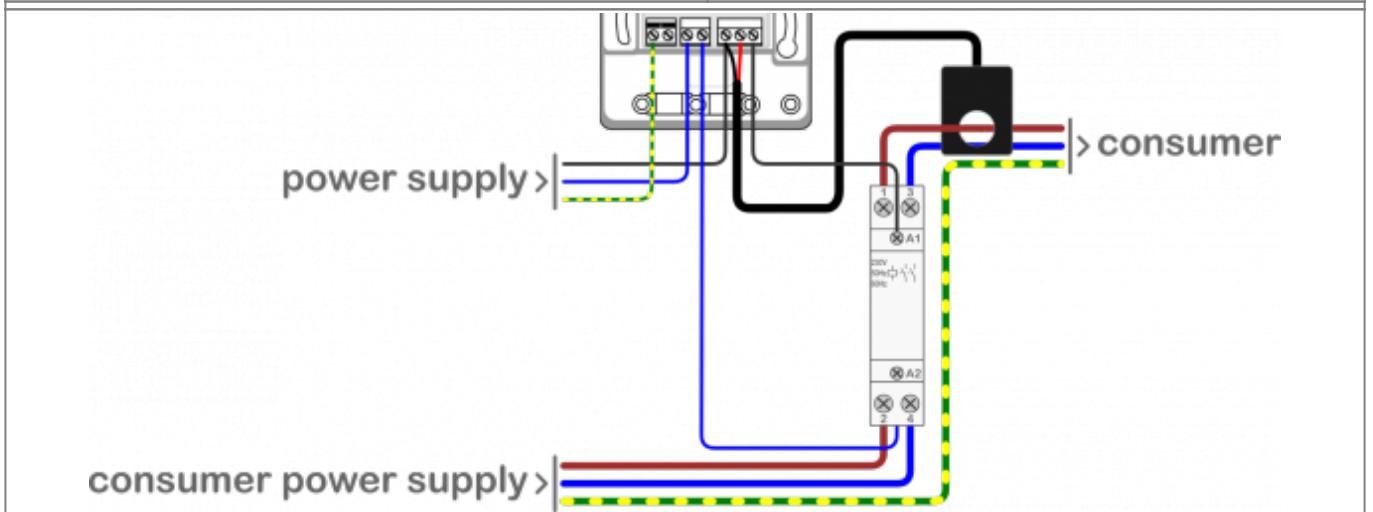
Power-relays

DIN rail

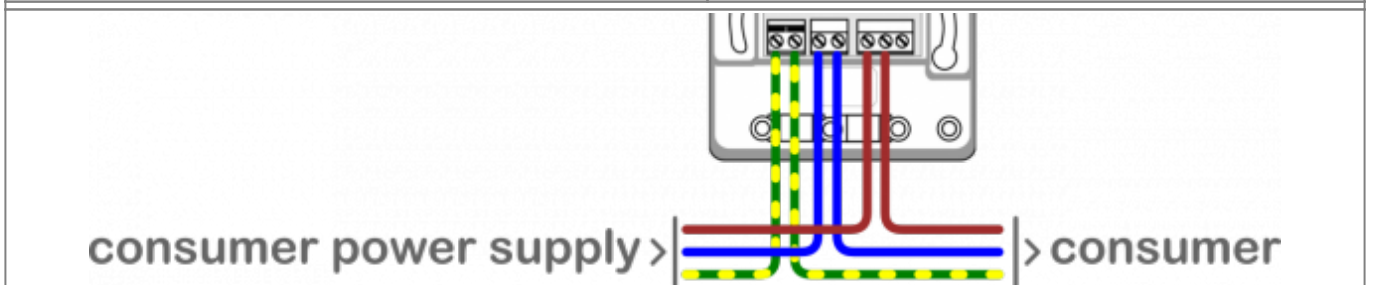
| | |
|-------------------------------|--|
| Relays control voltage A1, A2 | HC-IQ-HEMS QX0-QX7 for managed load 1 to 8, N |
| (2, 4 or 2, 4, 6, R8) | Consumer power supply L, N or L1, L2, L3, N |
| (1, 3 or 1, 3, 5, R7) | Consumer L, N or L1, L2, L3, N |



| | |
|-----------------|------------------------------------|
| PM1-WN-D | DIN rail |
| 16, 17 | power supply 230 VAC |
| 2, 3 | current transformer black, red |
| 6, 7 | consumer power supply - consumer L |



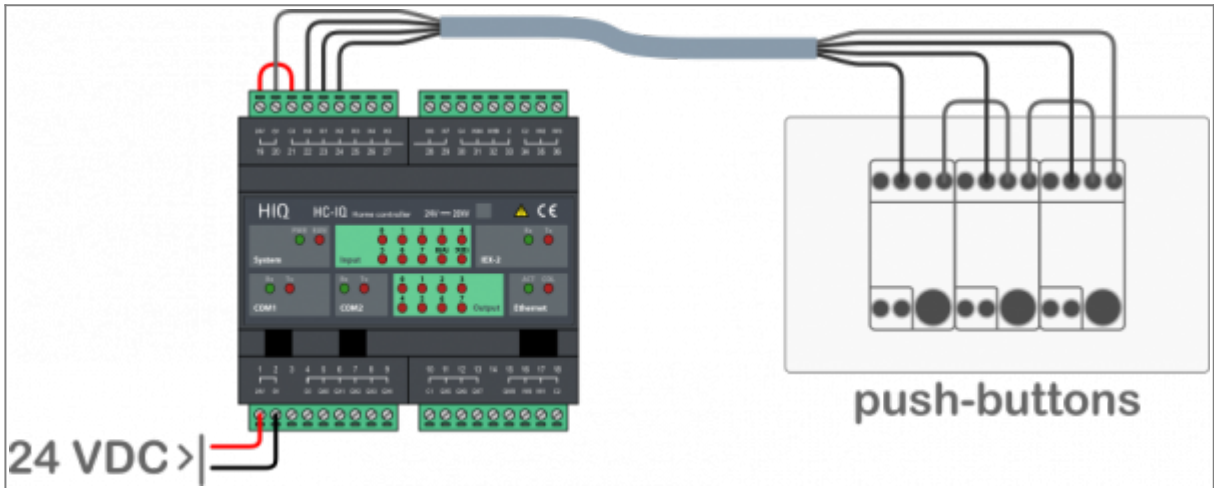
| | |
|-----------------|---|
| PM1-WN-W | on wall |
| 1, 1a | PE, internally connected |
| 2, 2a | N, internally connected |
| 3 | Device supply / Current transformer black |
| 3a | Current transformer red |
| 3b | Output (Consumer) |



| | |
|-----------------|----------------|
| RL1-WN-W | on wall |
|-----------------|----------------|

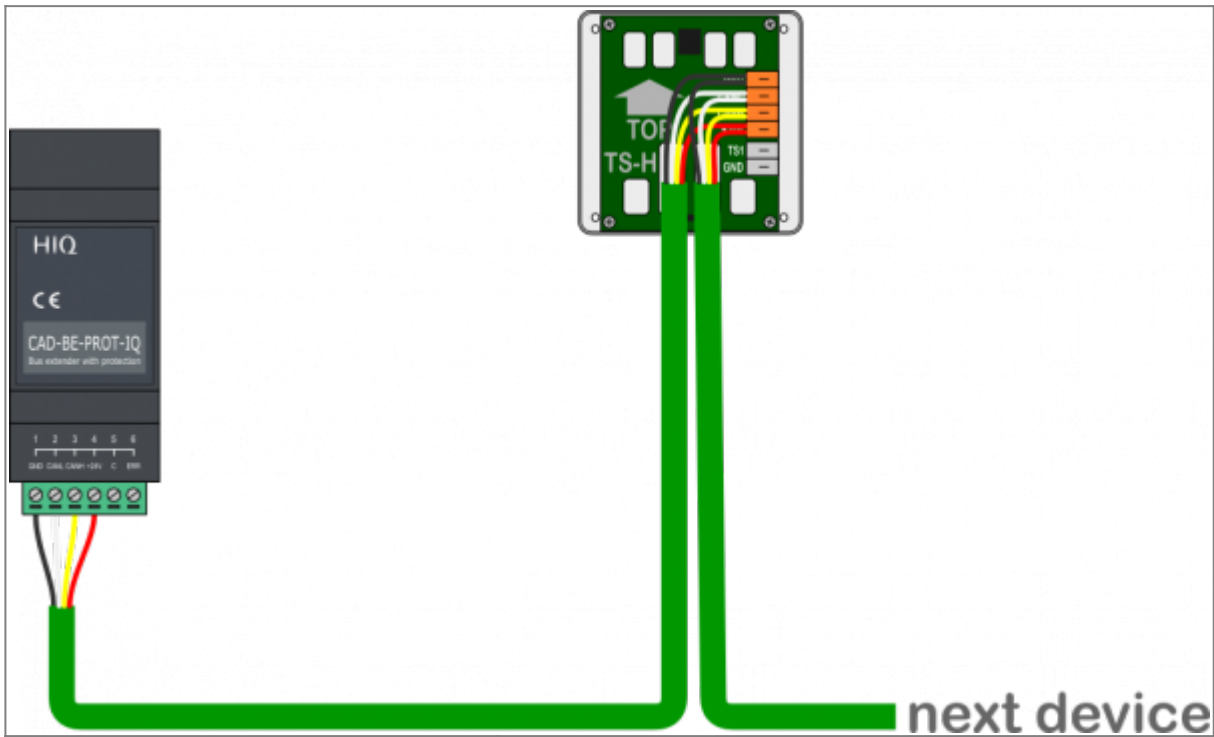
| | |
|--|----------------------------|
| 1, 1a | PE, internally connected |
| 2, 2a | N, internally connected |
| 3 | Device and consumer supply |
| 3a | Consumer output |
| SC1-WN-F | power outlet |
| Plugged in power outlet, consumer plugged in | |

Control devices



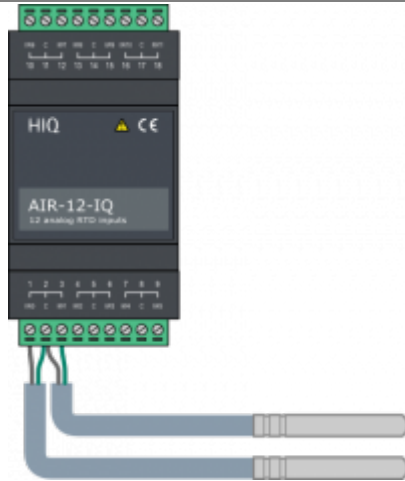
| | |
|---------------------|-------------------------------------|
| Push-buttons | in wall |
| Common | HC-IQ-HEMS 0 V (20) |
| Signal (NO) | HC-IQ-HEMS IX0-IX7 (21)-(29) |

Sensors



| | |
|-----------------------|---|
| TS-H | on wall |
| GND, CANL, CANH, +24V | BE-PROT-IQ GND, CANL, CANH, +24V |

| | |
|----------|---|
| TS0, GND | ES external temperature probe red, black |
|----------|---|



| | |
|-------------------|----------------------------------|
| AIR-12 | DIN rail |
| C, IW0-IW11 | Pt1000 temperature probes |
| RJ10 (left side) | to previous DIN rail module |
| RJ10 (right side) | to next DIN rail module |



Plug-in power supply

| | |
|-----------------|-------------------------------|
| TDI-WN-W | on wall |
| 1, 2 (from top) | Digital input 1 |
| 3, 4 | Digital input 2 |
| 5, 6 | NTC temperature probe input 1 |
| 7, 8 | NTC temperature probe input 2 |
| +, - | Plug-in power supply |

| | |
|-------------|------------------------------------|
| DIP setting | Address setting: [1=lsb, 8=msb] |
| | - sensor 1, address 60 = 0011 1100 |
| | - sensor 2, address 61 = 1011 1100 |
| | - sensor 3, address 62 = 0111 1100 |
| | - sensor 4, address 63 = 1111 1100 |
| | - sensor 5, address 64 = 0000 0010 |
| | - sensor 6, address 65 = 1000 0010 |
| | - sensor 7, address 66 = 0100 0010 |
| | - sensor 8, address 67 = 1100 0010 |

From: <https://wiki.hiq-universe.com/> -

Permanent link: https://wiki.hiq-universe.com/doku.php?id=en:goflex_hems:methods_resources:wiring

Last update: **2018/10/05 13:32**

