

# HEMS G2 wiring

## SAFETY INSTRUCTION

**Before start with installation, assembly, disassembly, inspection, or any other operation read safety instructions. They contain general safety information for devices approved by Robotina d.o.o..**



**DANGER!**

**Disregard manufacturer's safety instructions could result in material damage, injury or even death.**



**DANGER!**

**During operation is device under load!**



**WARNING!**

**Before installation, disassembly, inspection, or any other operation, make sure that the device is disconnected from the power supply and that with your doing you don't endanger yourself or others.**



**WARNING!**

**Don't try to open the device. Any interference or change may impact device's properties and significantly affect safety.**



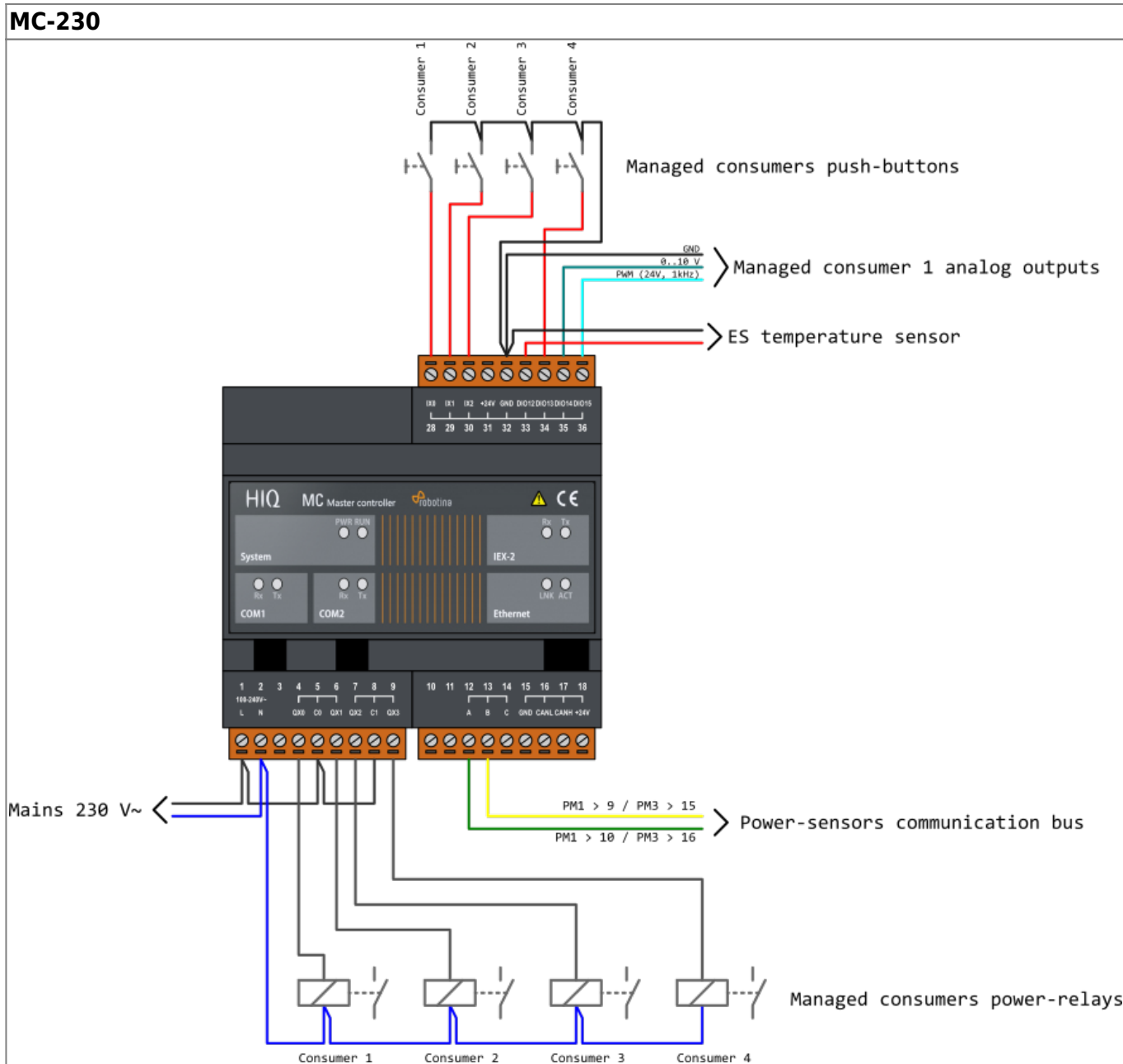
**WARNING!**

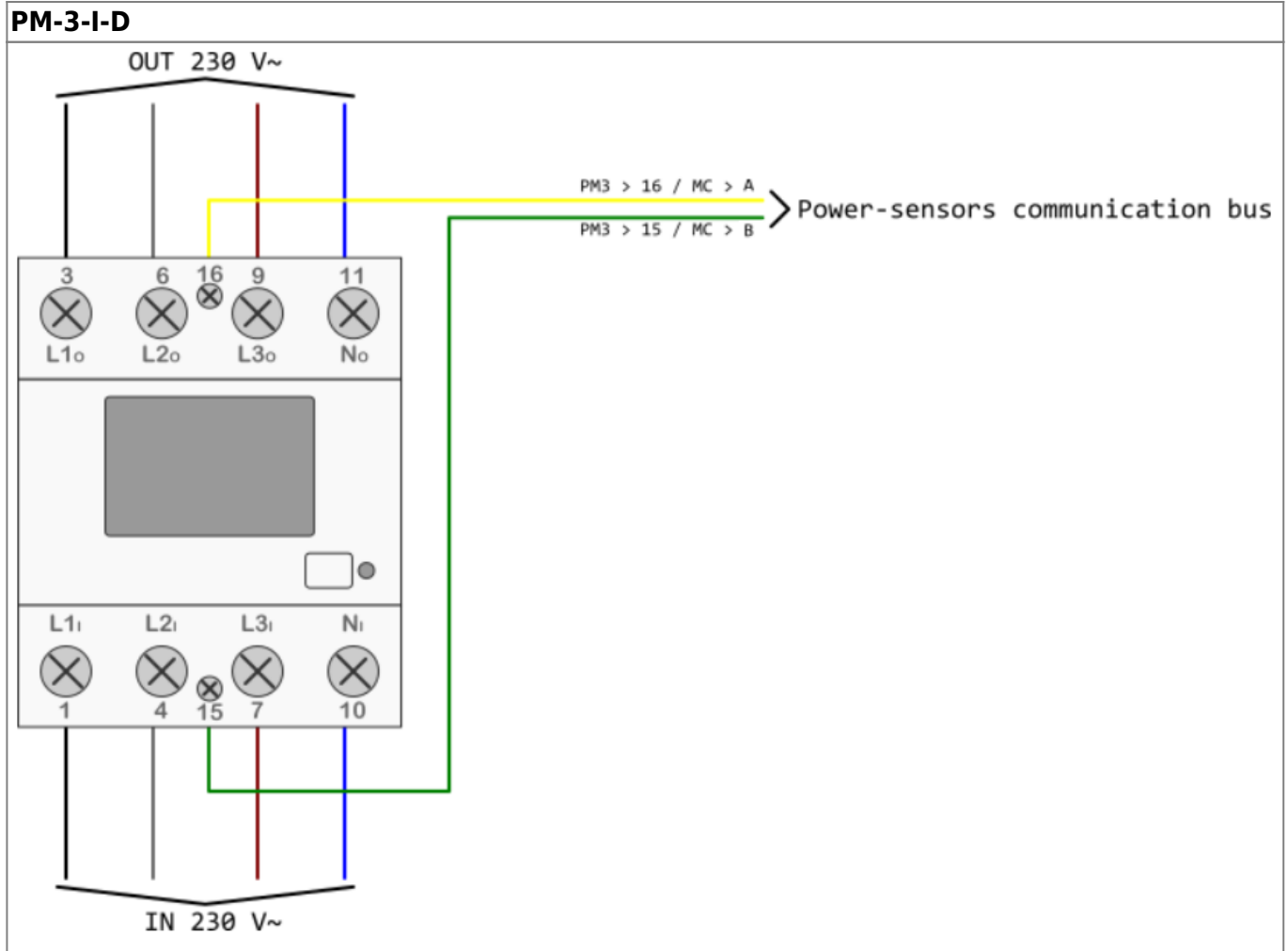
**Before connecting device to the power supply, assure that all wires are connected in accordance with the manufacturer's instructions.**

Before continue with installation read the manufacturer's installation requirements:

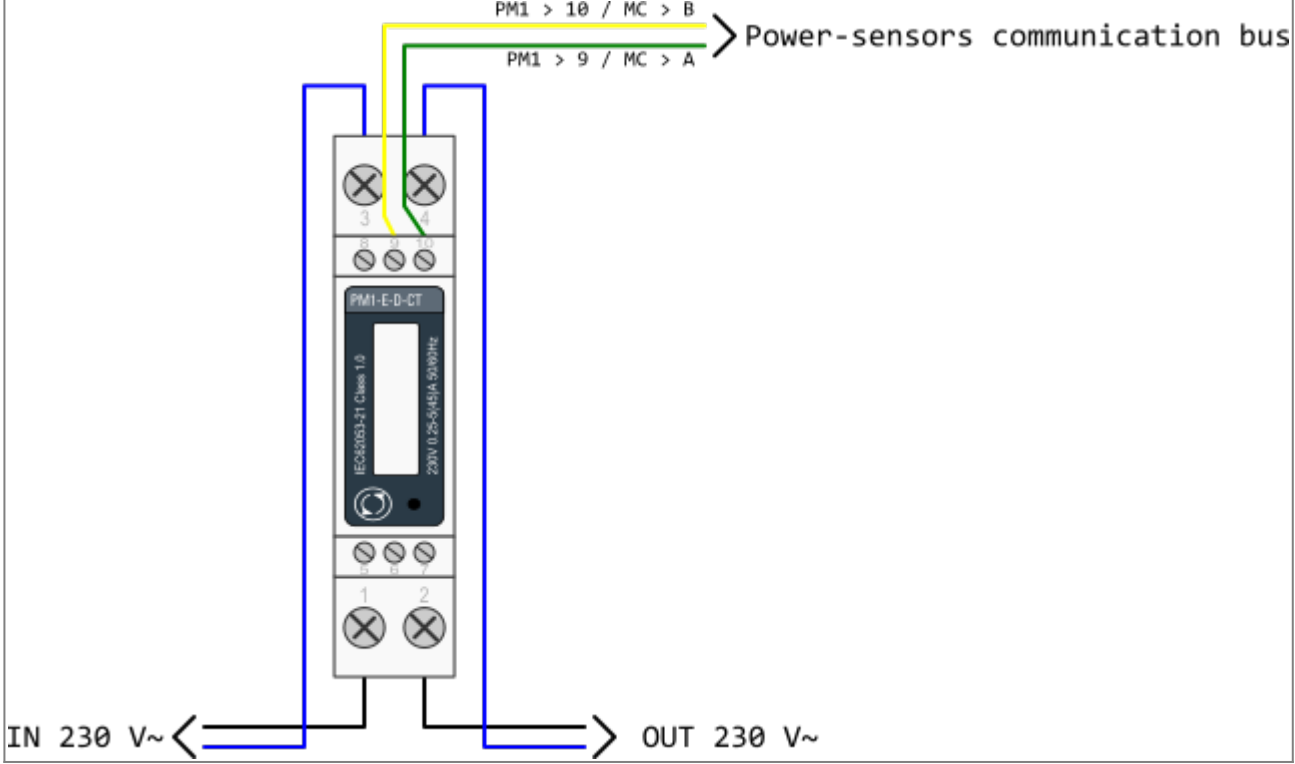
- Installation and electrical connection of the equipment described in this manual must be carried out by qualified or authorized personnel.
- The device must be installed inside the electric box where cannot endanger people or environment.
- During the operation device must not be exposed to humidity, dust, mold or other weather phenomena.
- All connected wires must comply with manufacturer's specifications.
- For installation use only verified electrical-installations tools.
- Around the device has to be assured sufficient ventilation space.
- The manufacturer does not undertake any liability for material or personal damage resulting

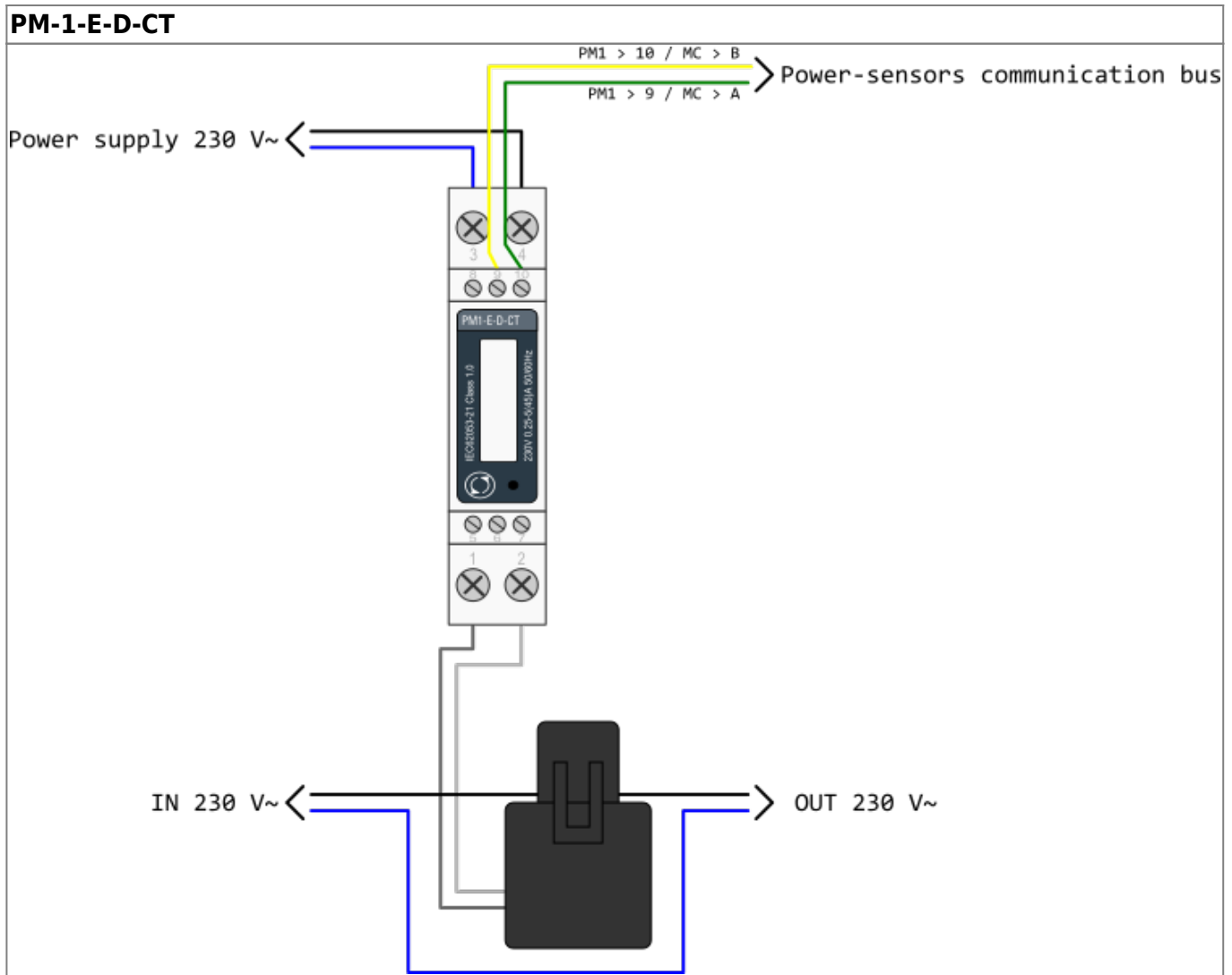
from use or handling which is not in accordance with the manufacturer's safety instructions.





### PM-1-E-D





Example of HEMS G2 wiring diagram:

[hems\\_g2.pdf](#)

Example done with [Elwin](#) by 3xM.

Archive file:

[20180924125415\\_hems\\_g2.zip](#)

Custom library components:

[components.zip](#)

From: <http://wiki.hiq-universe.com/> -

Permanent link: [http://wiki.hiq-universe.com/doku.php?id=en:hems:methods\\_resources:wiring&rev=1539083223](http://wiki.hiq-universe.com/doku.php?id=en:hems:methods_resources:wiring&rev=1539083223)

Last update: **2018/10/09 11:07**

