

# HEMS v1.2.0 wiring

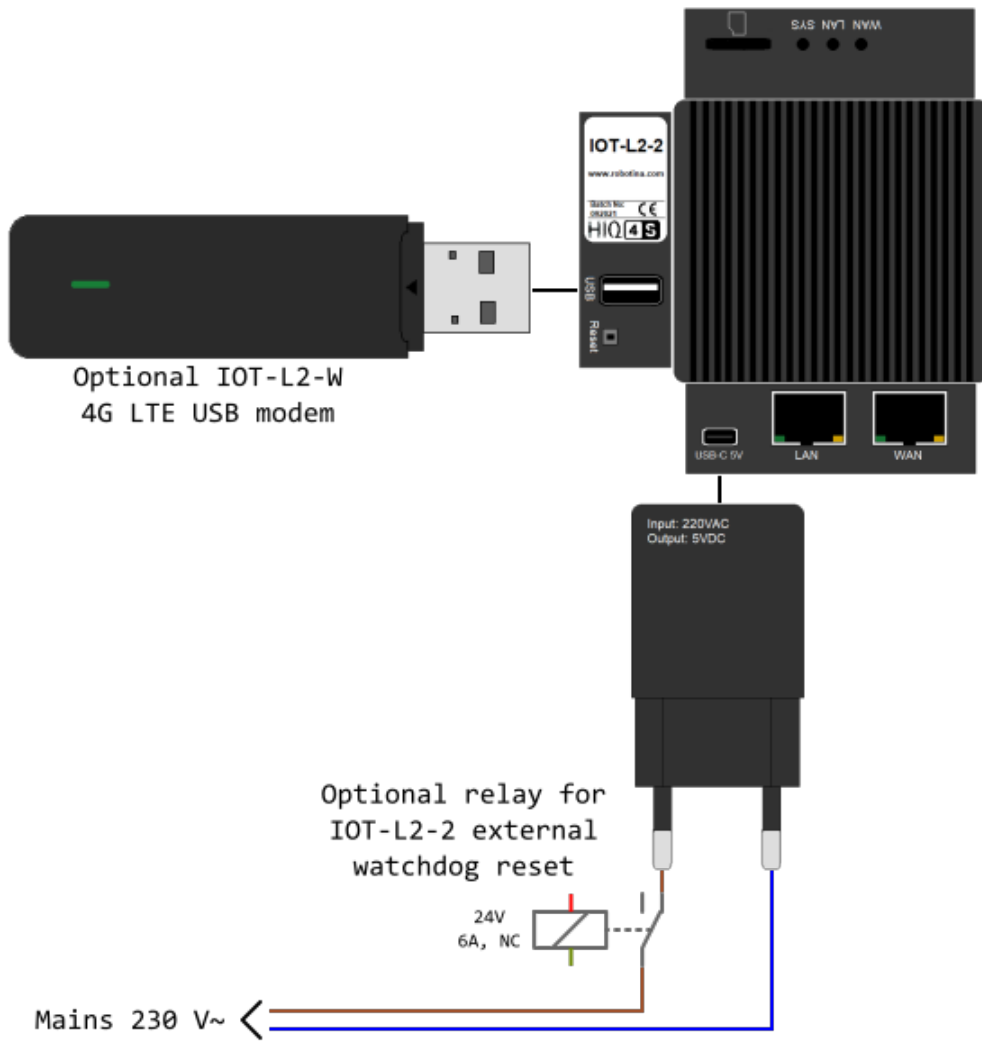
## MC-230

Wiring of default configuration.

NOTE: several different configurations can be configured with [HEMS Configurator](#).

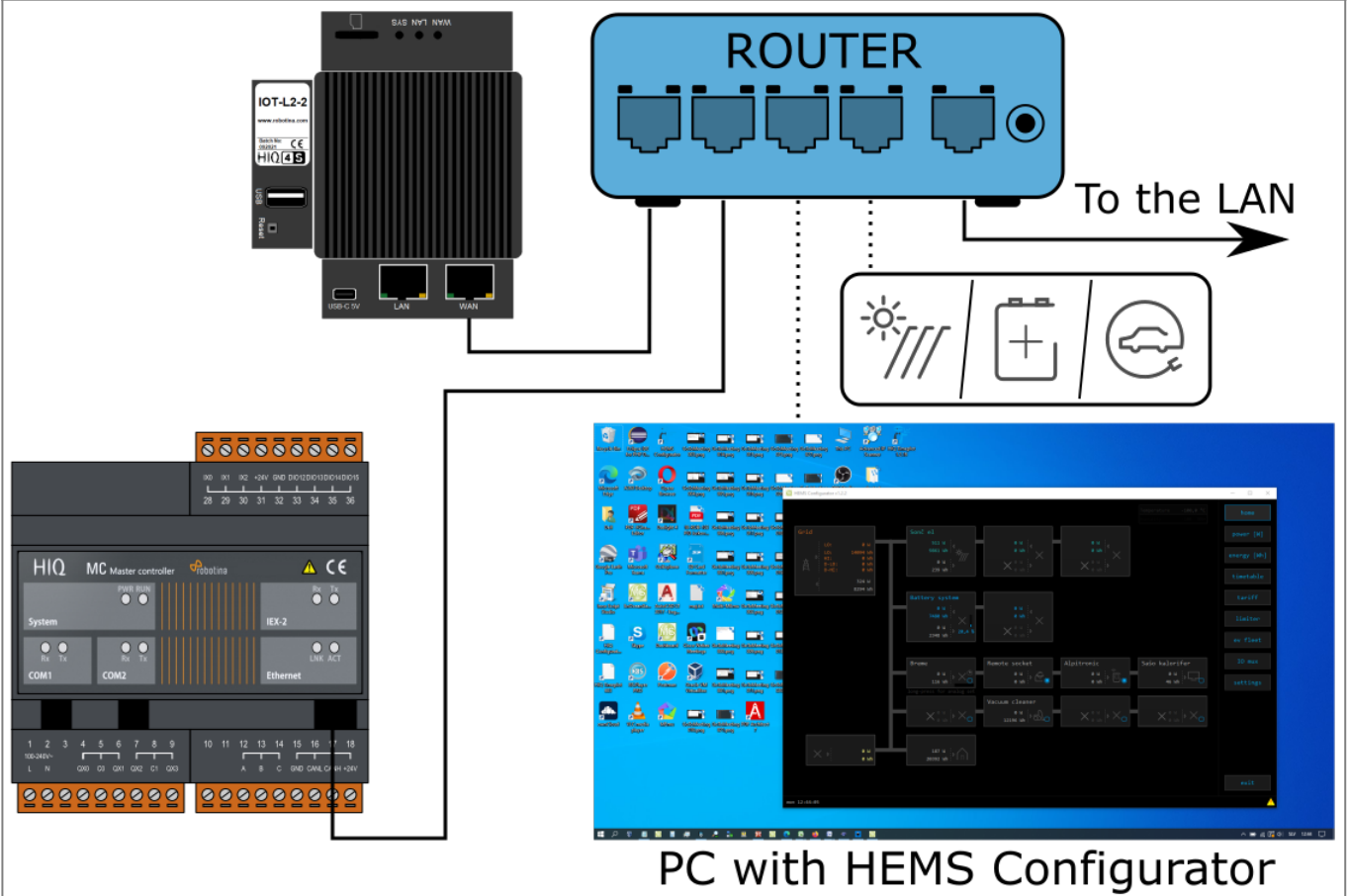


## IOT-L2-2

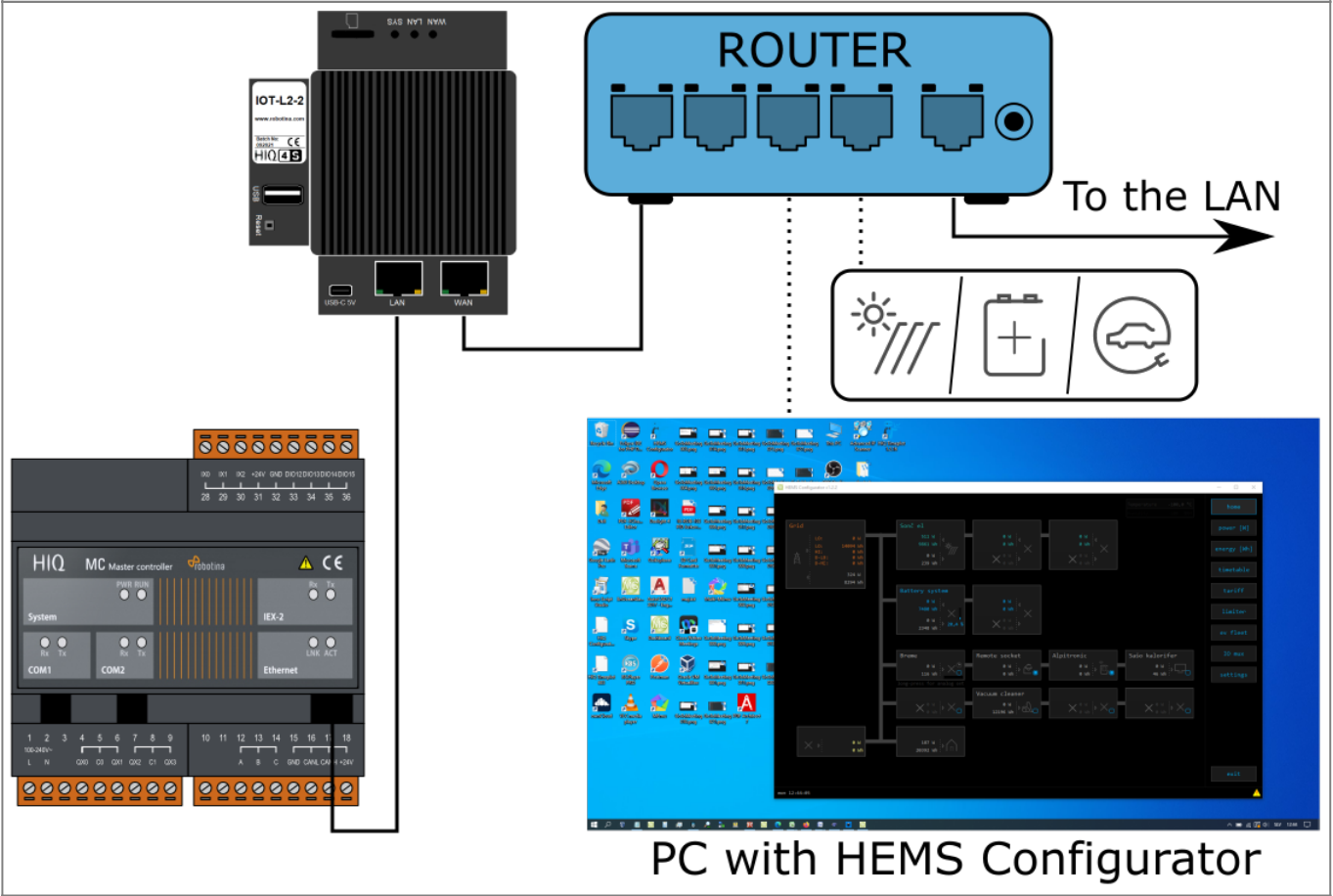


### Network → MC-230, IOT-L2-2 and optionally 4G LTE modem

Default connection to the LAN:

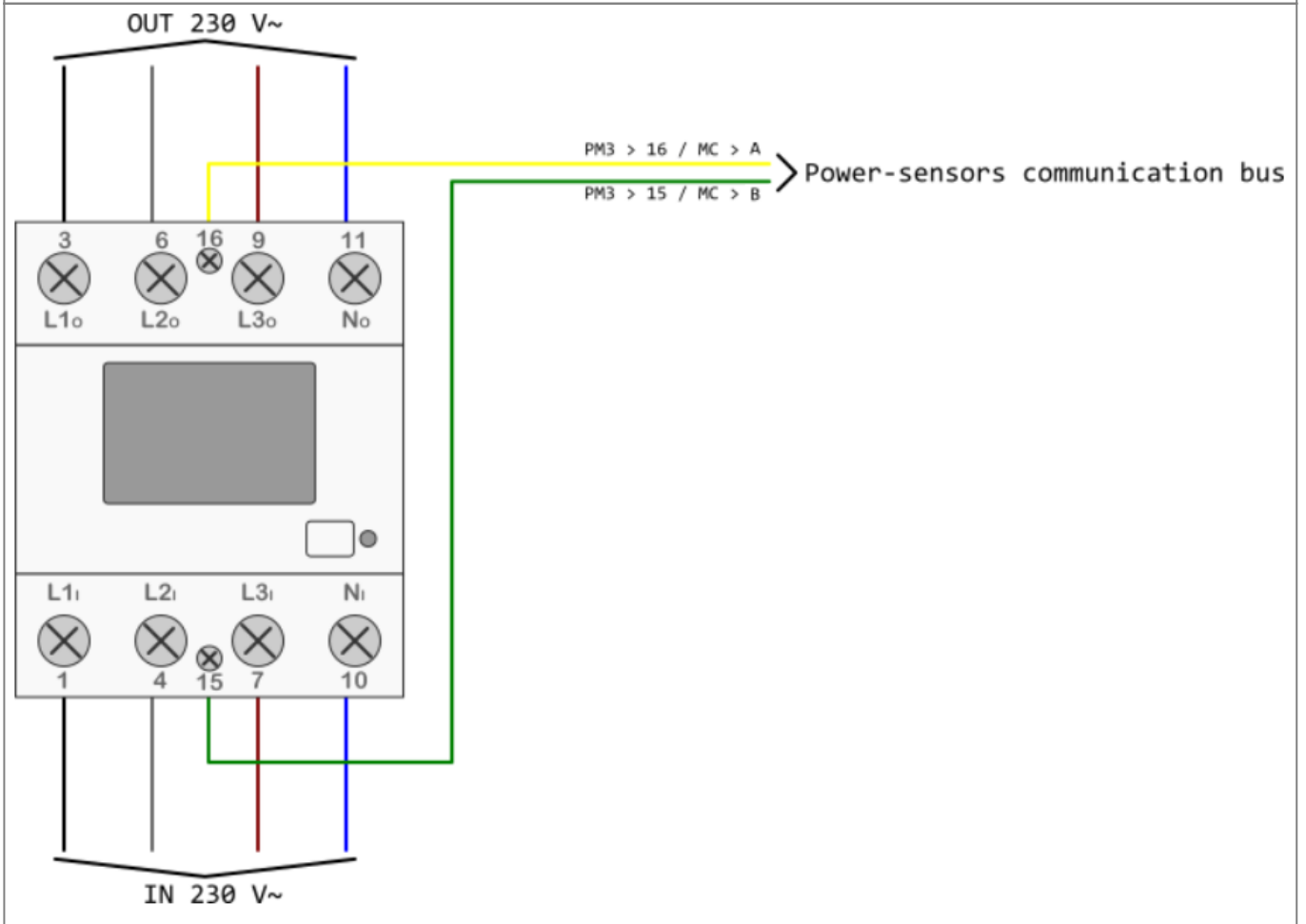


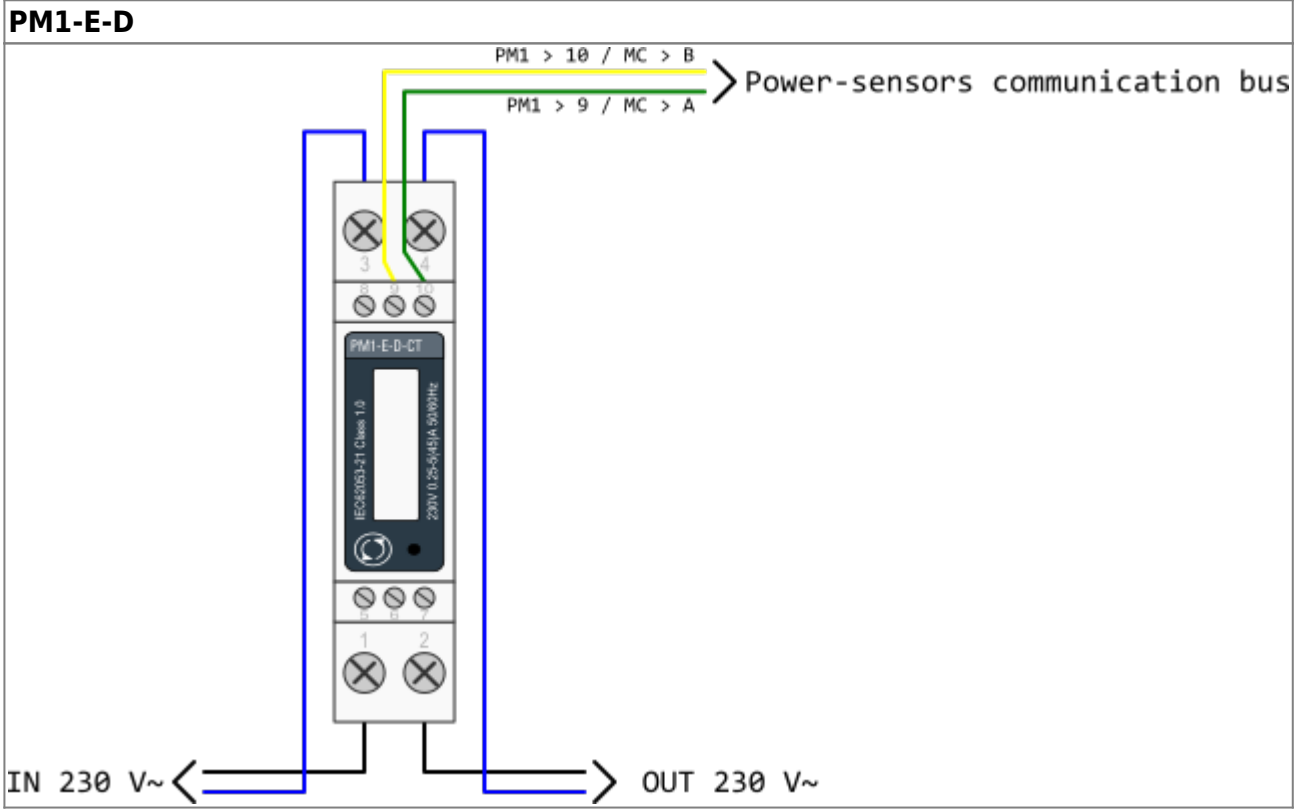
Default connection via 4G LTE modem:



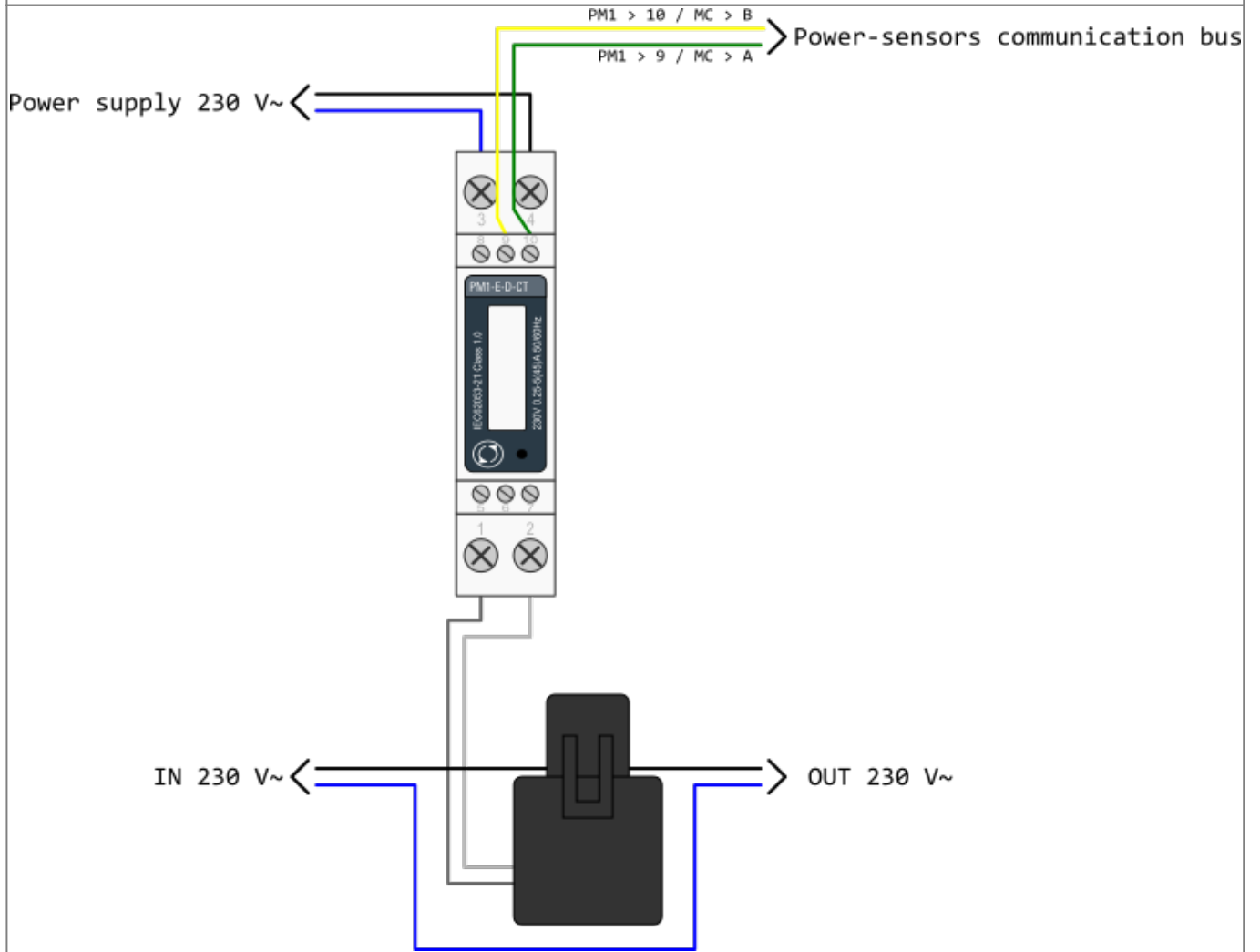


### PM3-I-D

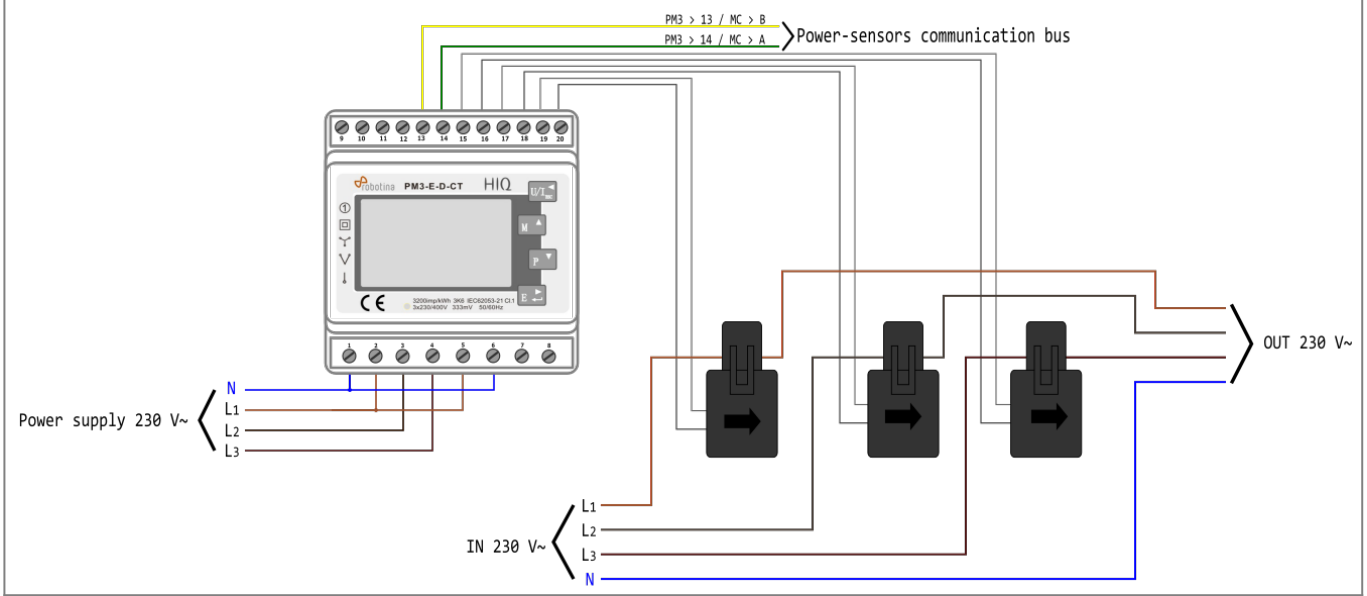


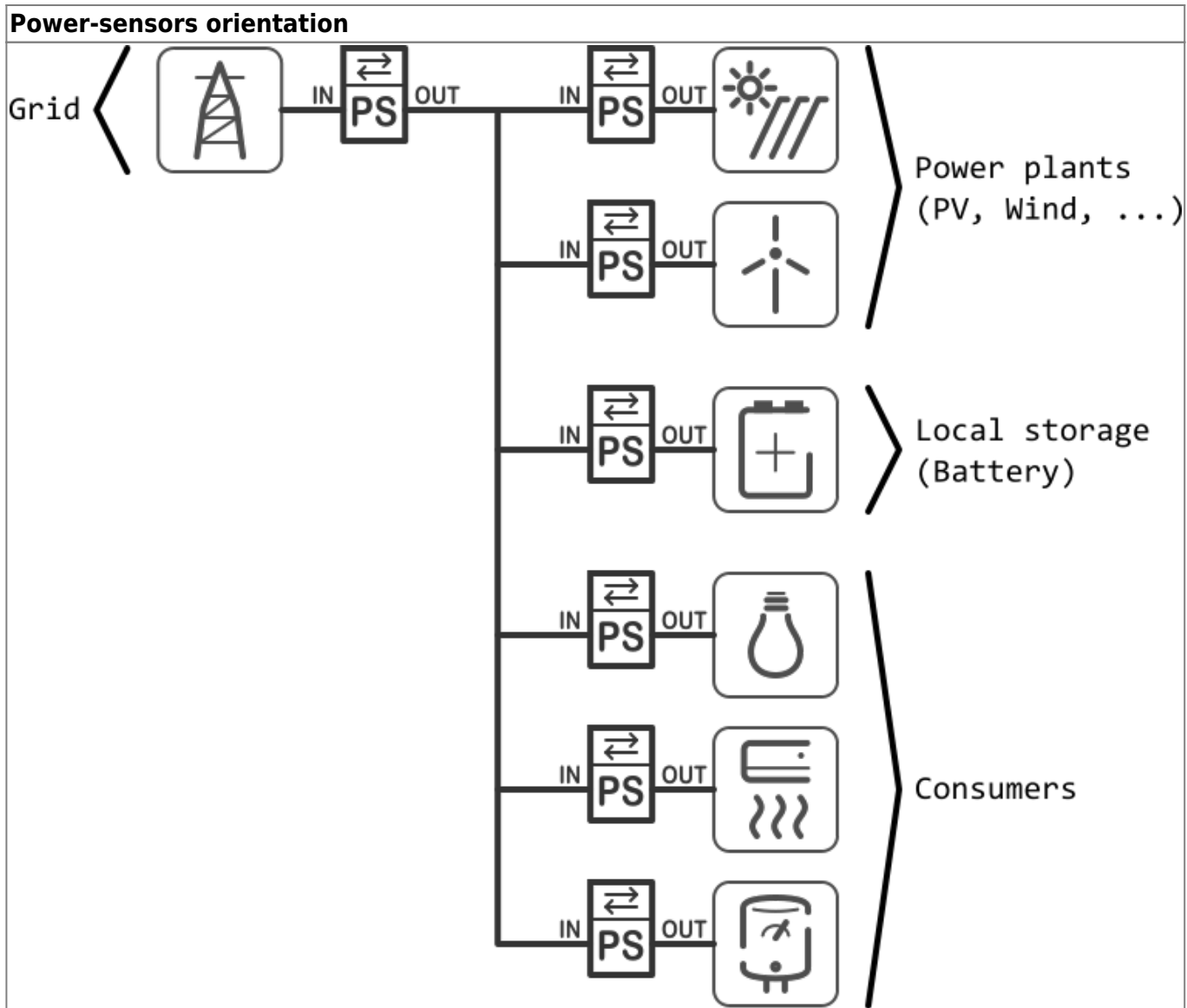


### PM1-E-D-CT



### PM3-E-D-CT





From: <http://wiki.hiq-universe.com/> -

Permanent link: [http://wiki.hiq-universe.com/doku.php?id=en:hems\\_v1\\_2\\_0:methods\\_resources:wiring&rev=1632221510](http://wiki.hiq-universe.com/doku.php?id=en:hems_v1_2_0:methods_resources:wiring&rev=1632221510)

Last update: 2021/09/21 10:51

