

HEMS v1.2.0 wiring

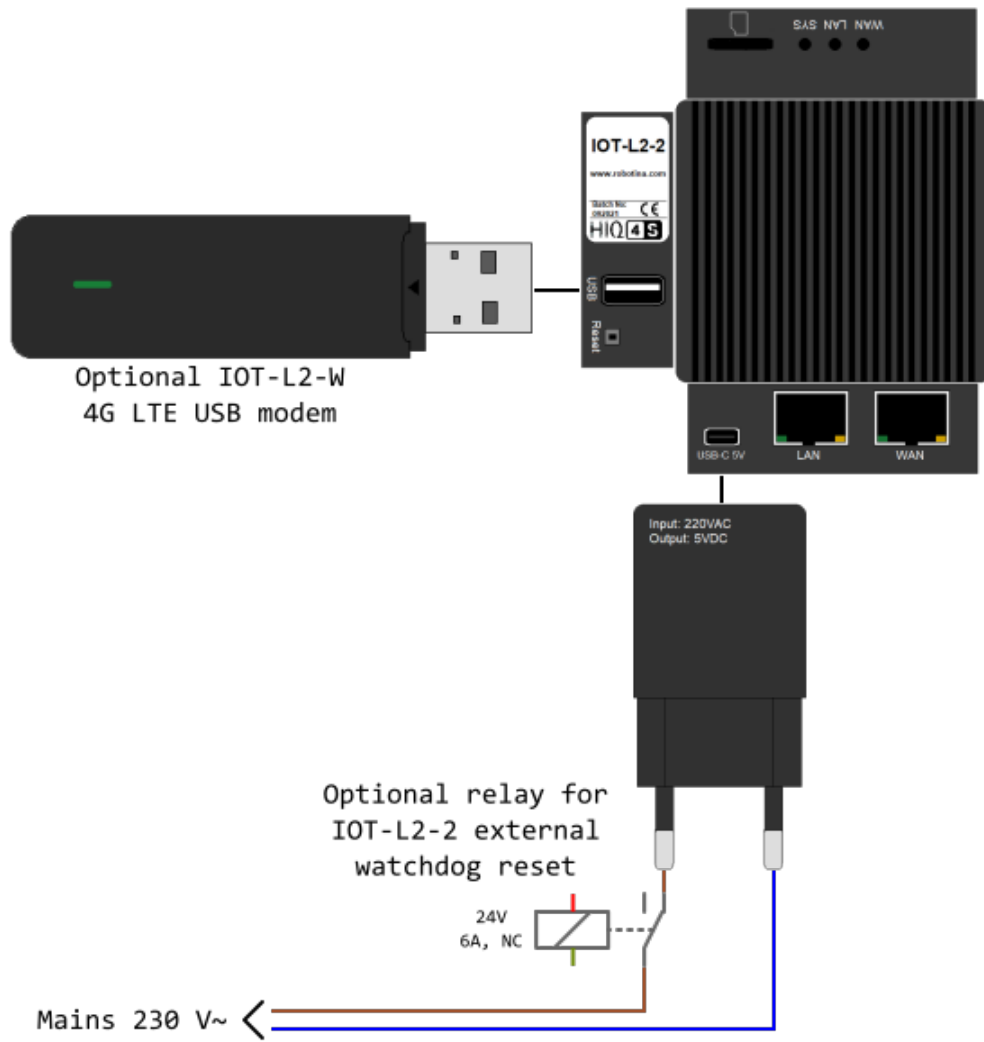
MC-230

Wiring of default configuration.

NOTE: several different configurations can be configured with [HEMS Configurator](#).

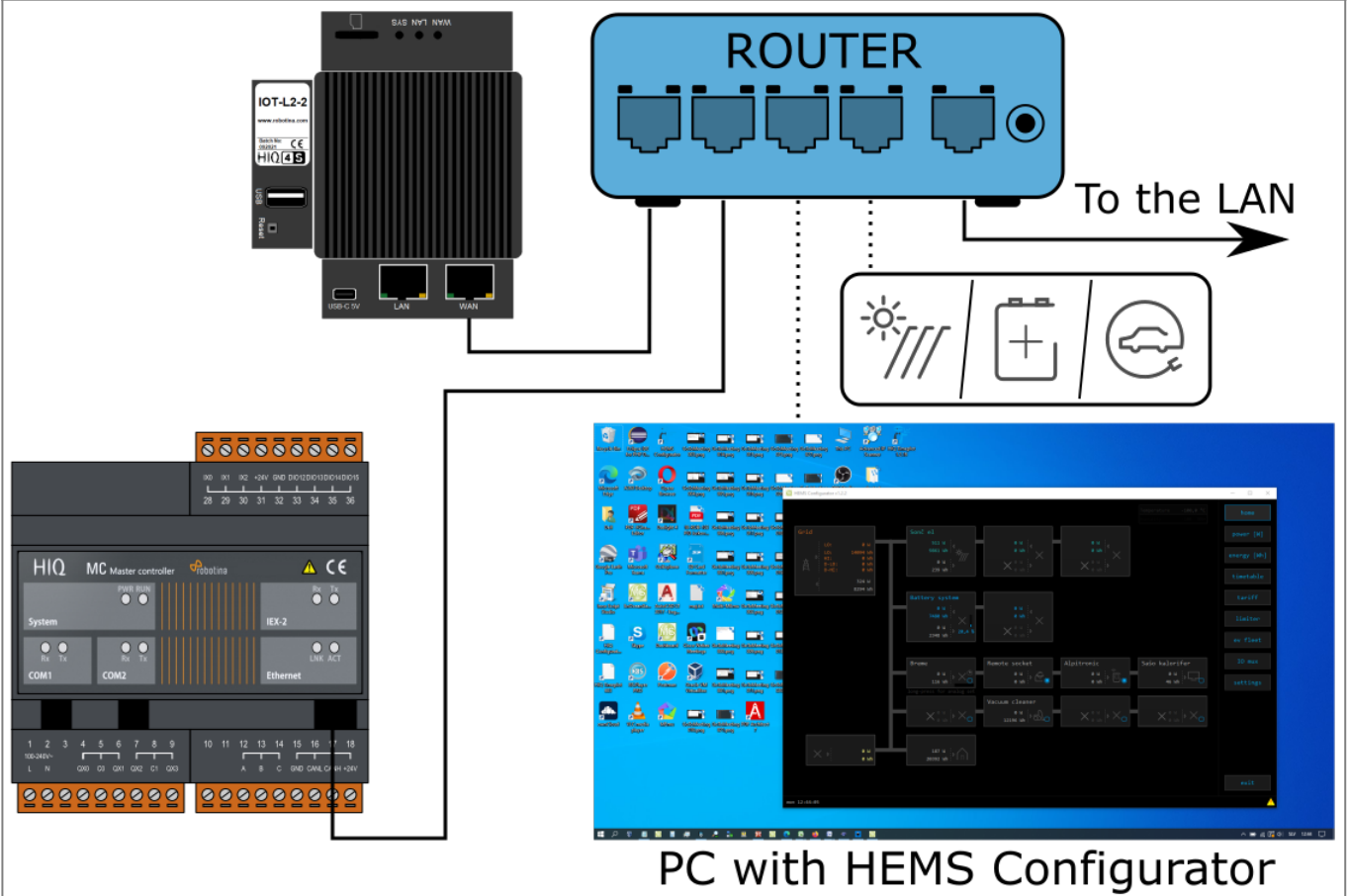


IOT-L2-2

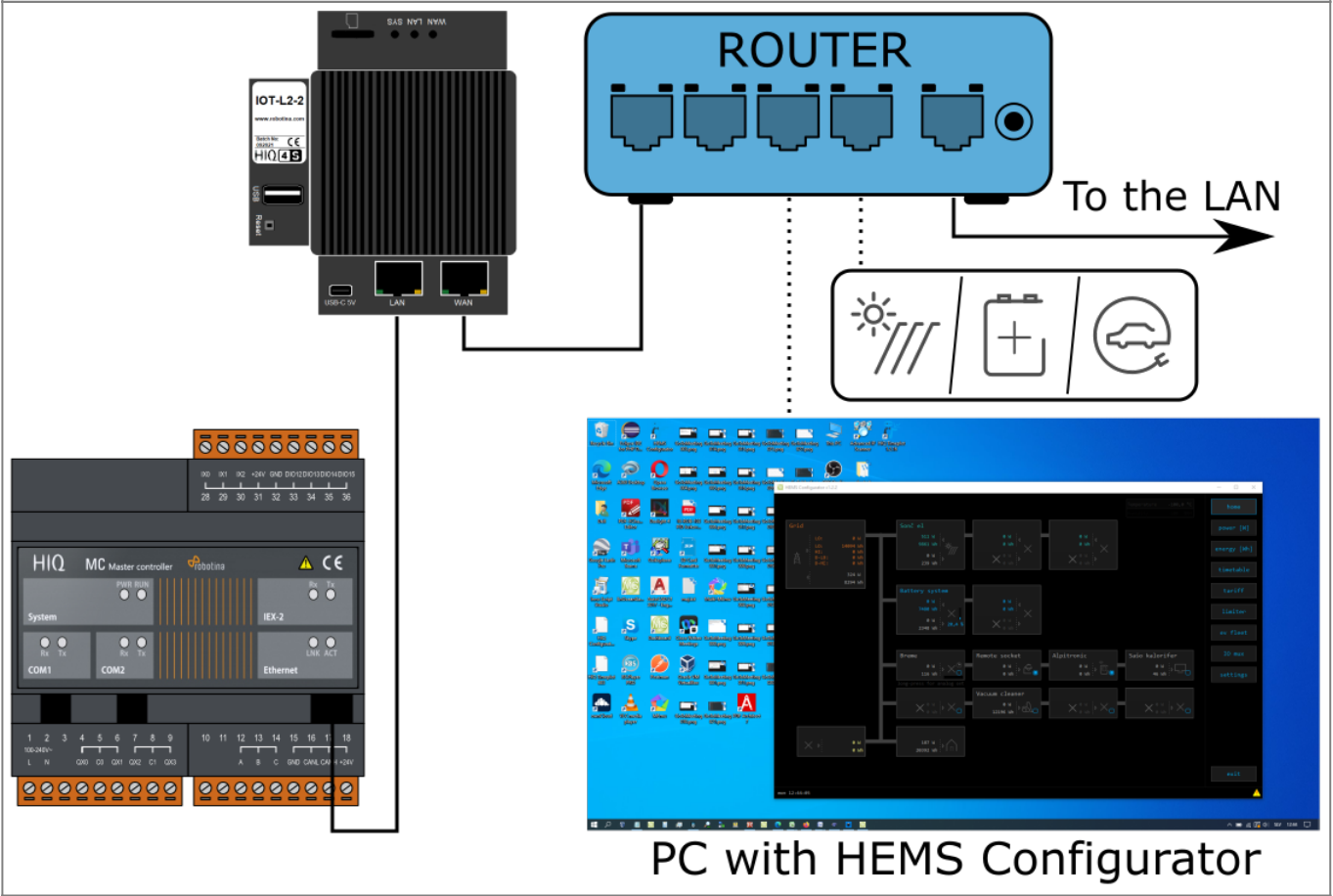


Network → MC-230, IOT-L2-2 and optionally 4G LTE modem

Default connection to the LAN:

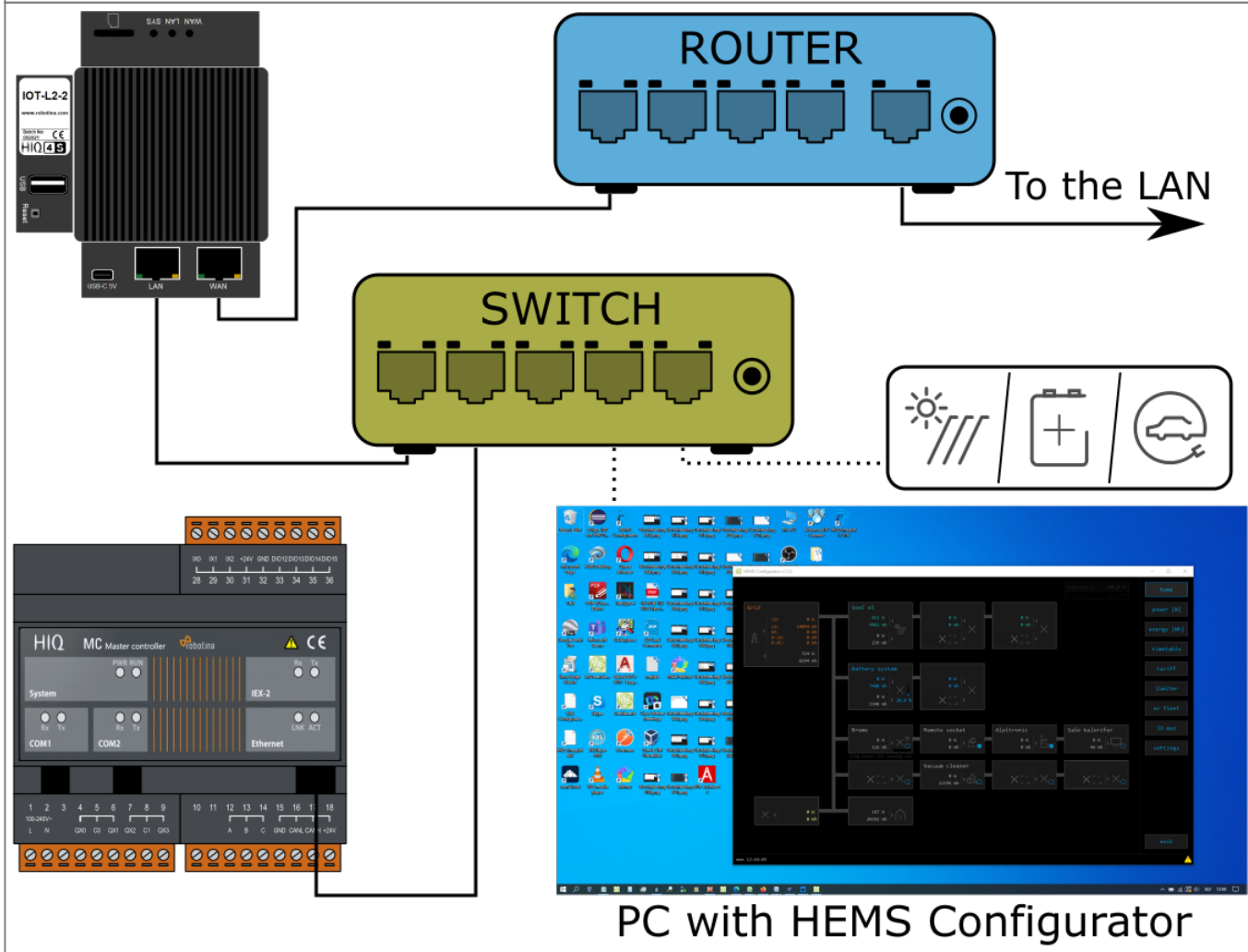


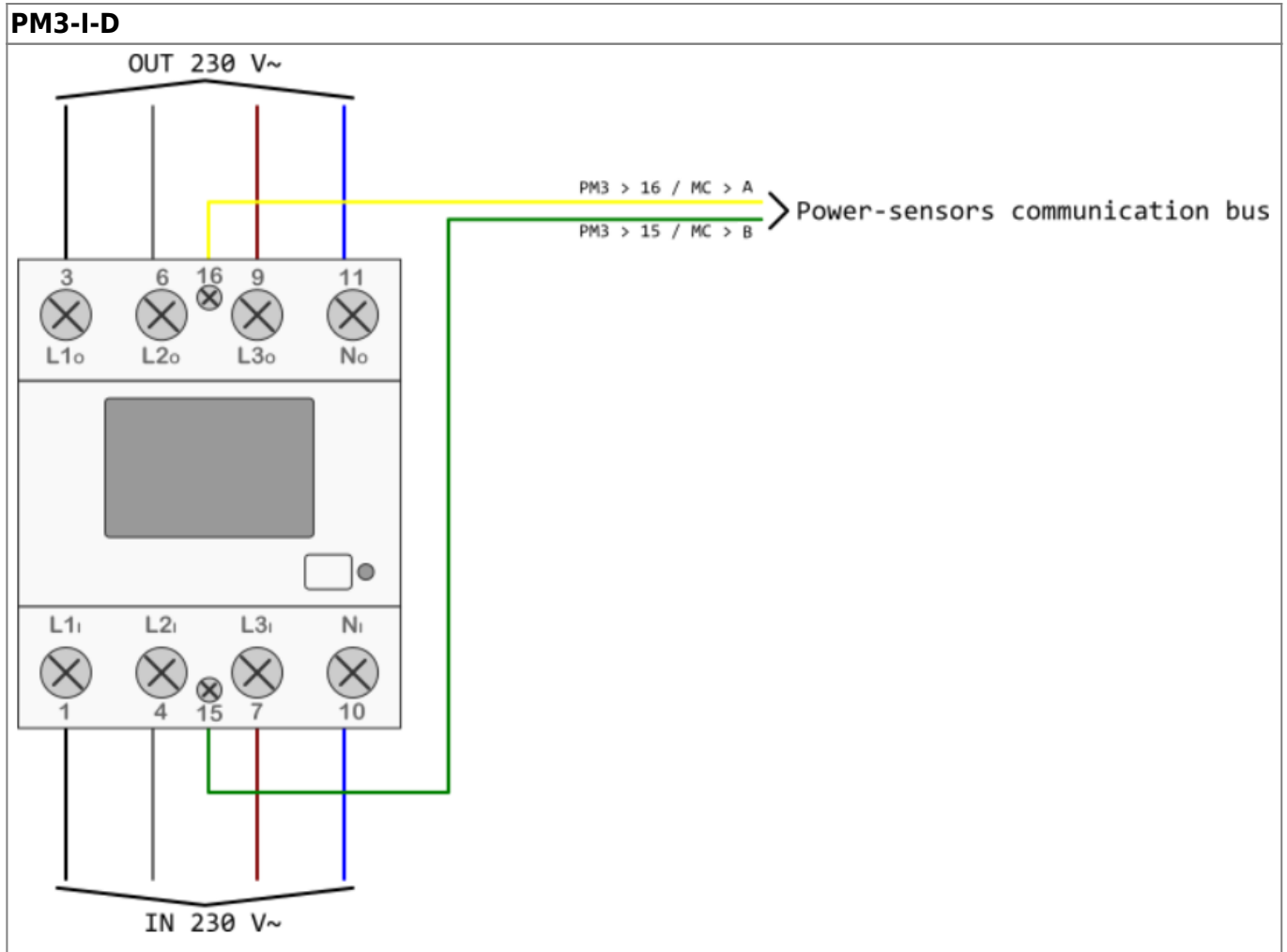
Default connection via 4G LTE modem:

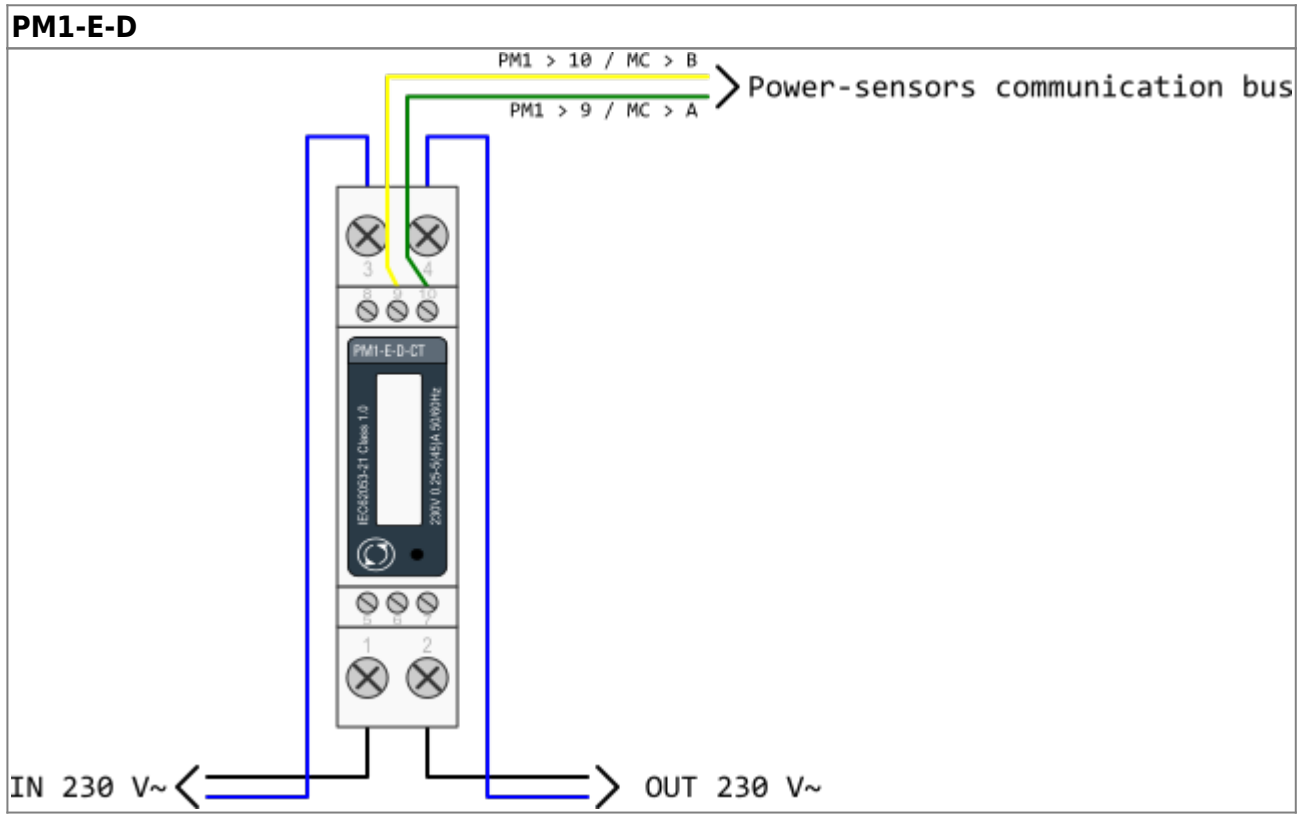


Optional connection to the LAN:

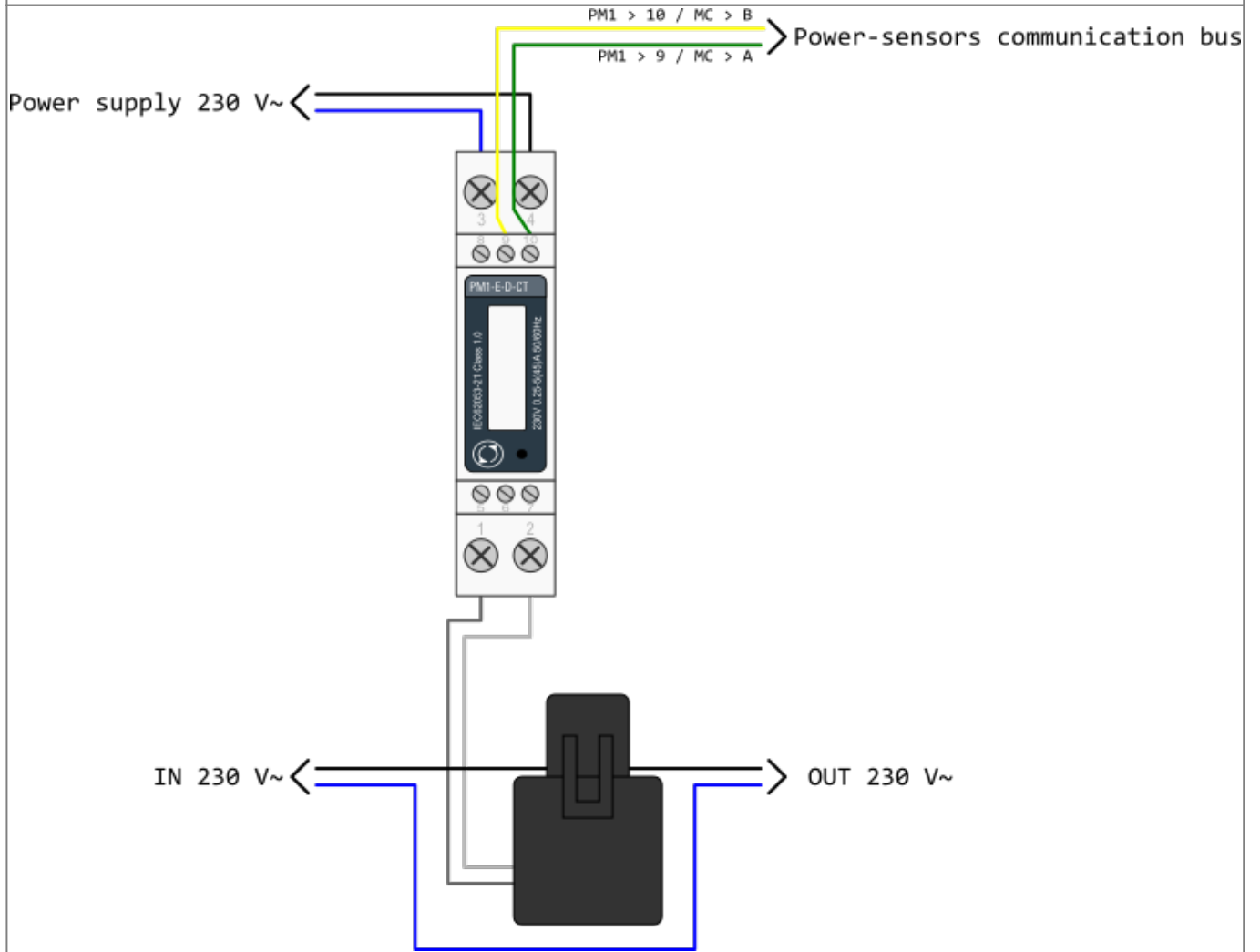
NOTE: optional connection has to be configured on the cloud service. Please contact [support](#). The same applies to specific network requirements, i.e. static IP address.



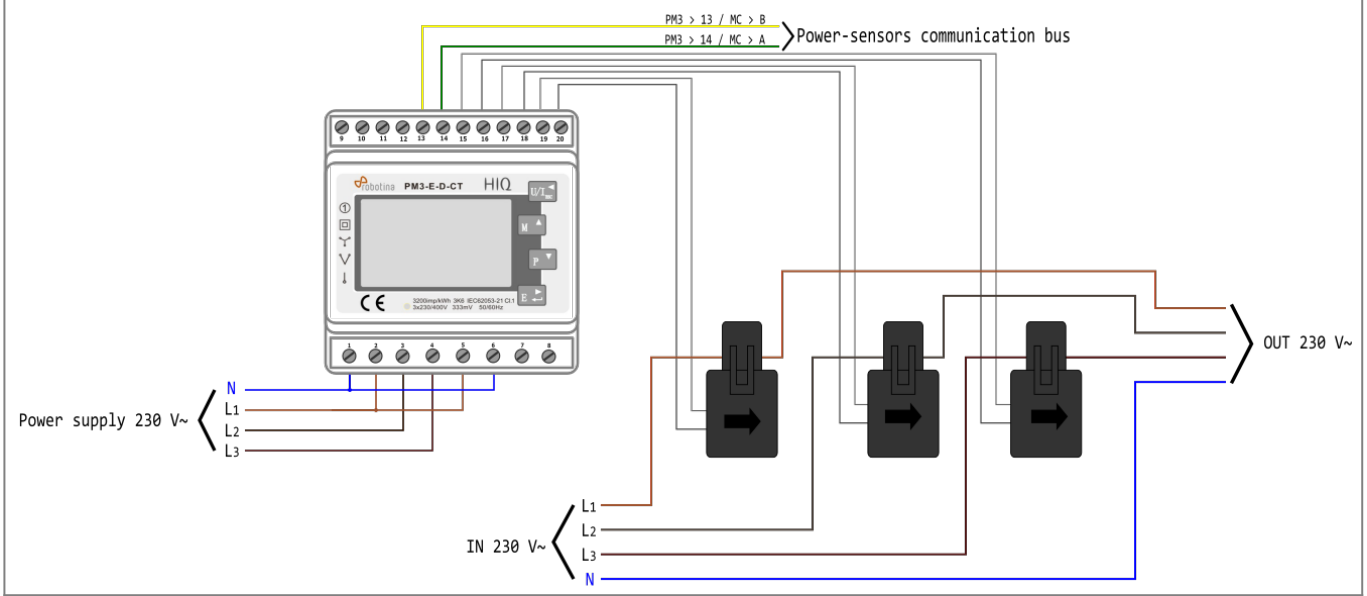




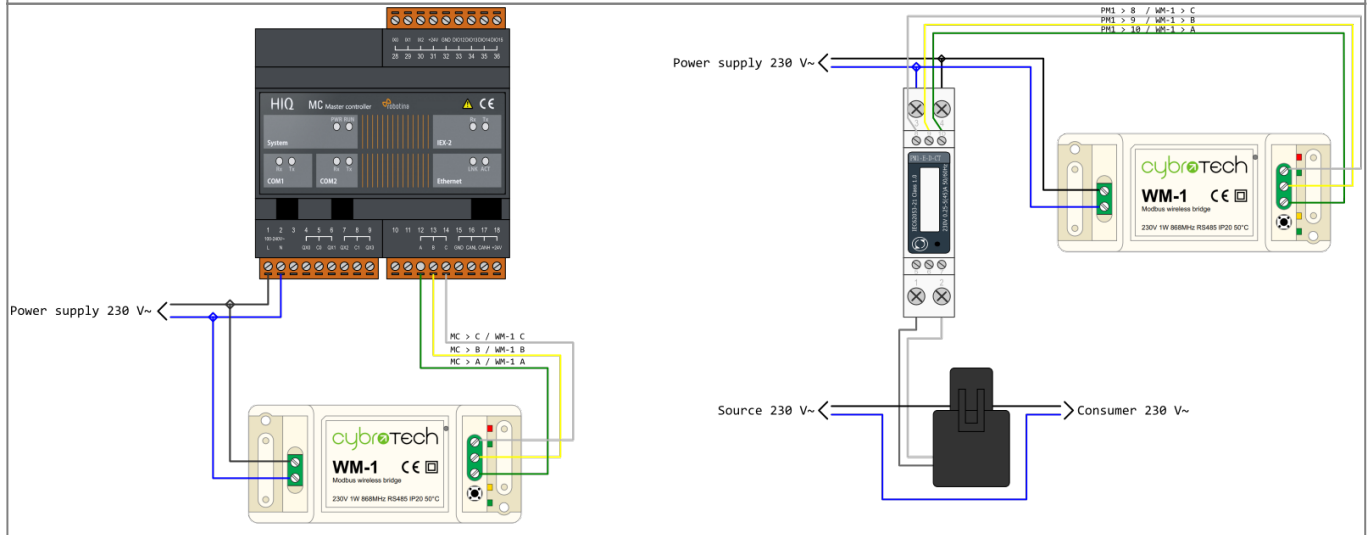
PM1-E-D-CT

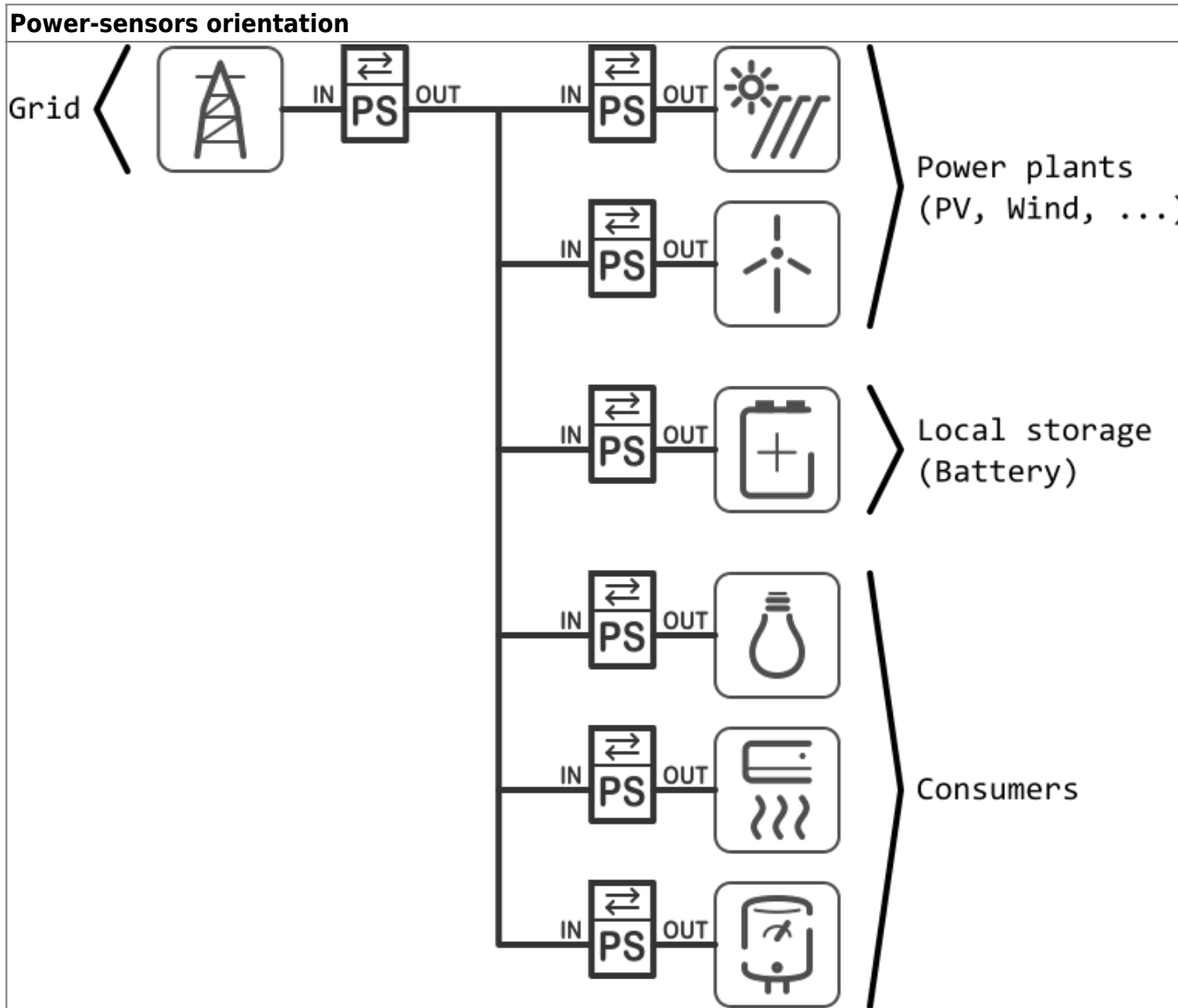


PM3-E-D-CT



WM-1





From: <http://wiki.hiq-universe.com/> -

Permanent link: http://wiki.hiq-universe.com/doku.php?id=en:hems_v1_2_0:methods_resources:wiring&rev=1634892092

Last update: 2021/10/22 08:41

