

HEMS v1.2.x wiring

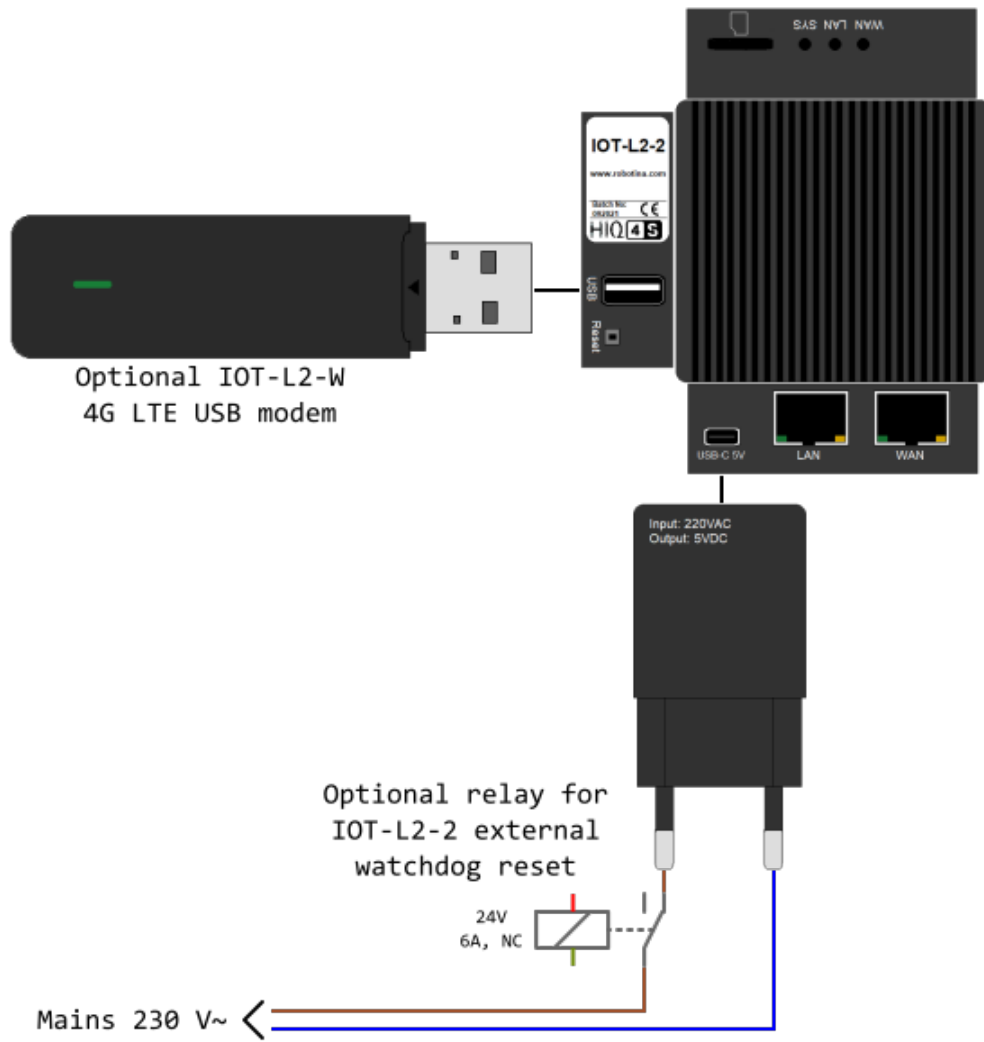
MC-230

Wiring of default configuration.

NOTE: several different configurations can be configured with [HEMS Configurator](#).

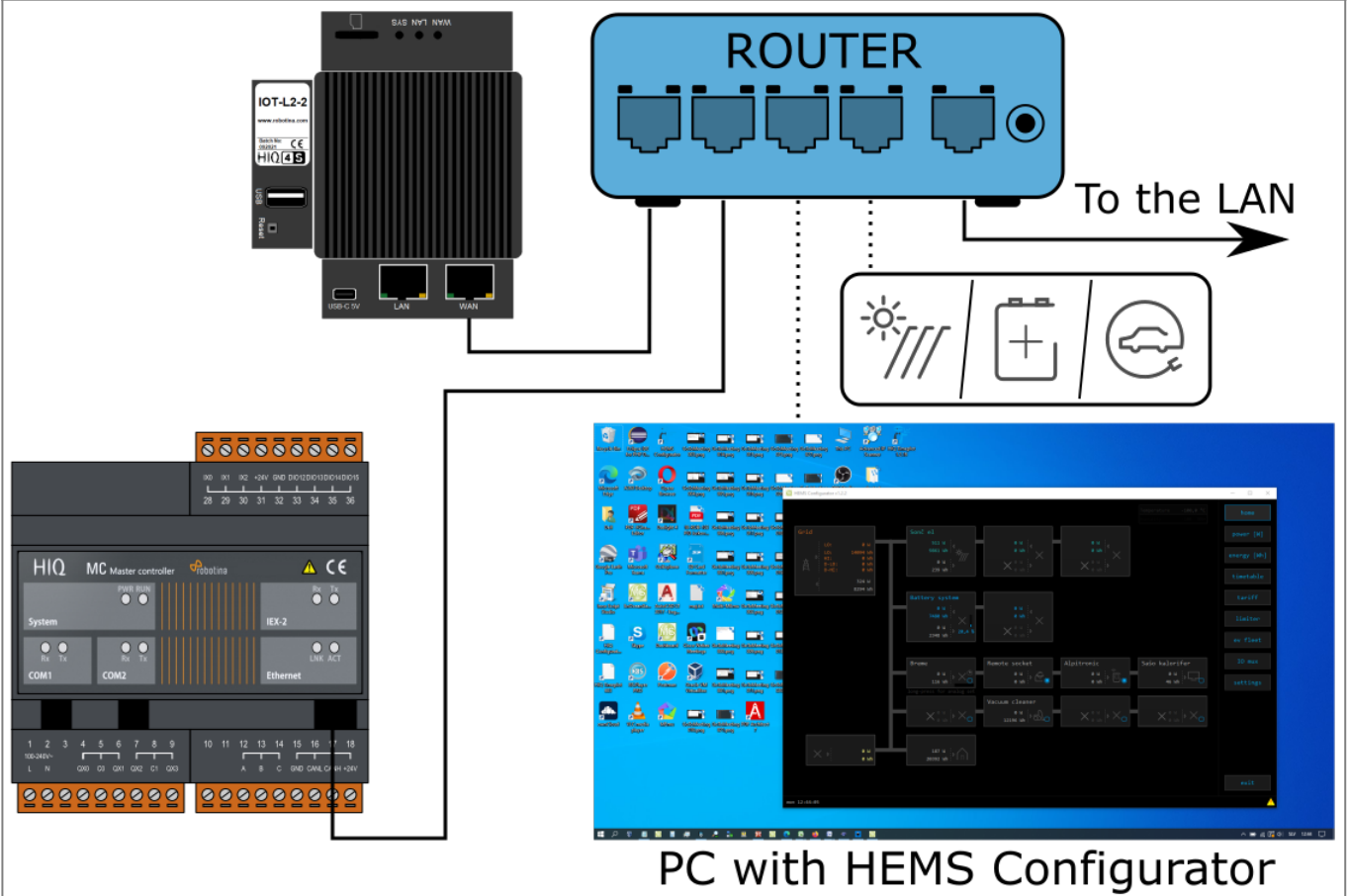


IOT-L2-2

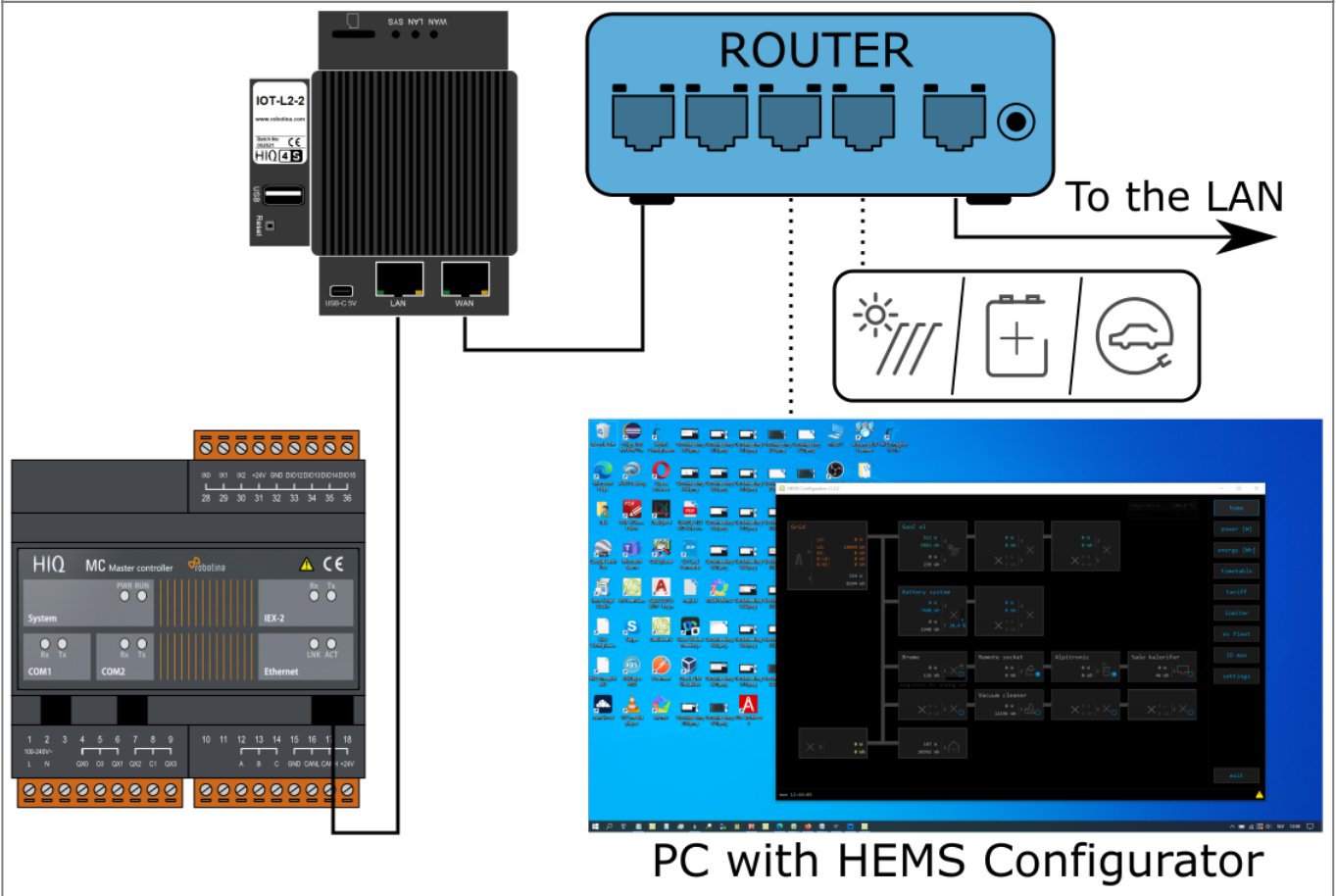


Network → MC-230, IOT-L2-2 and optionally 4G LTE modem

Default connection to the LAN:

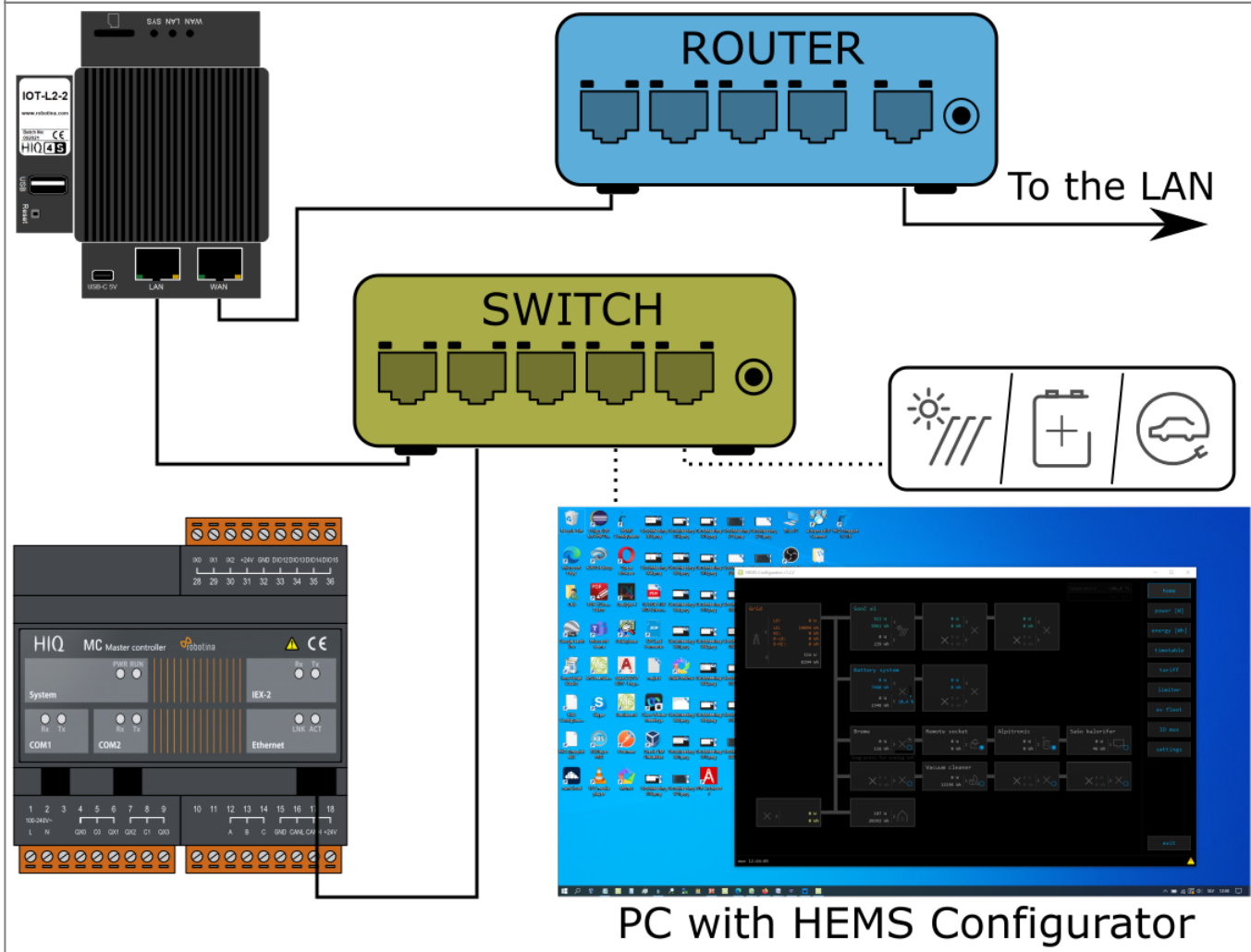


Default connection via 4G LTE modem:

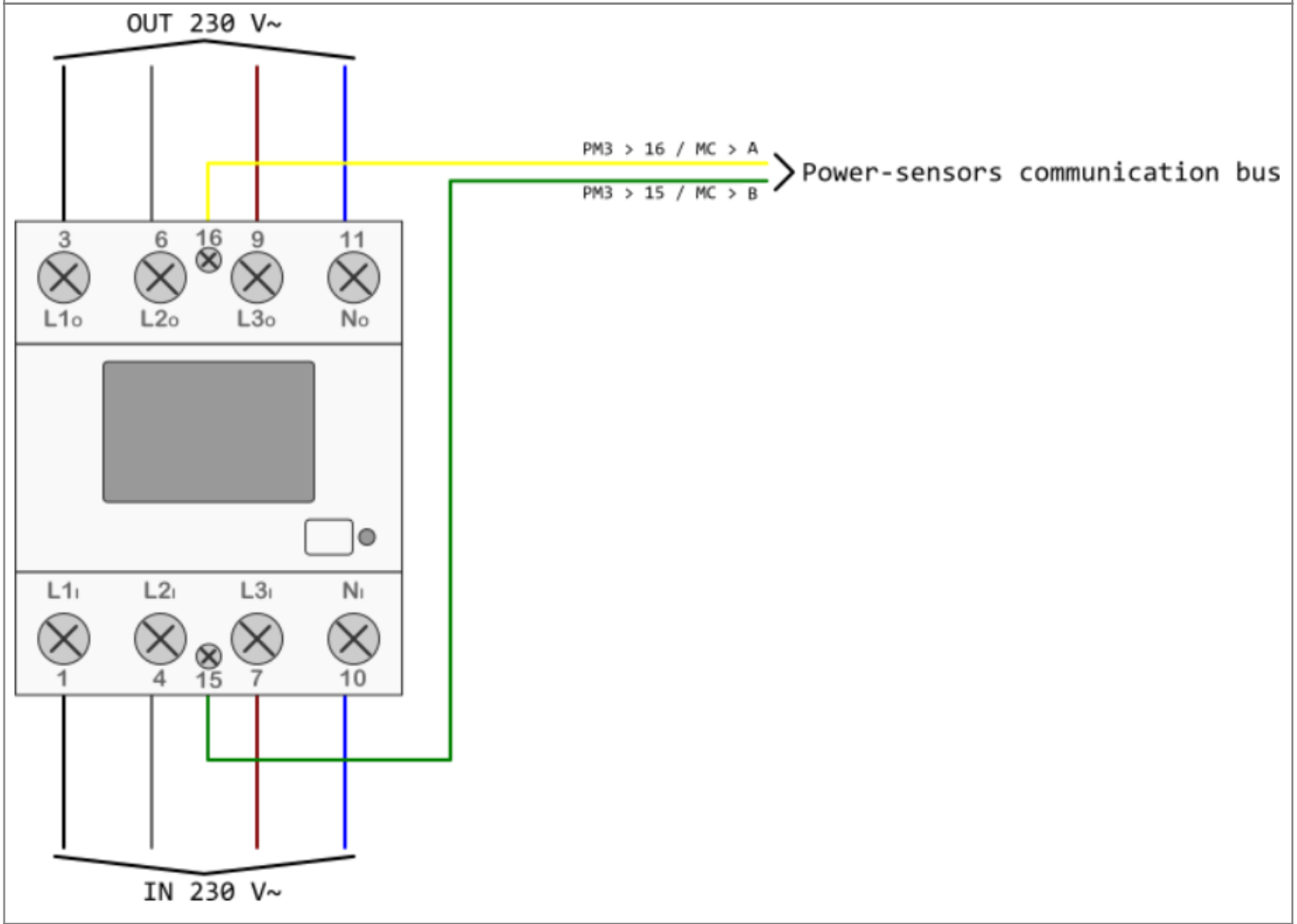


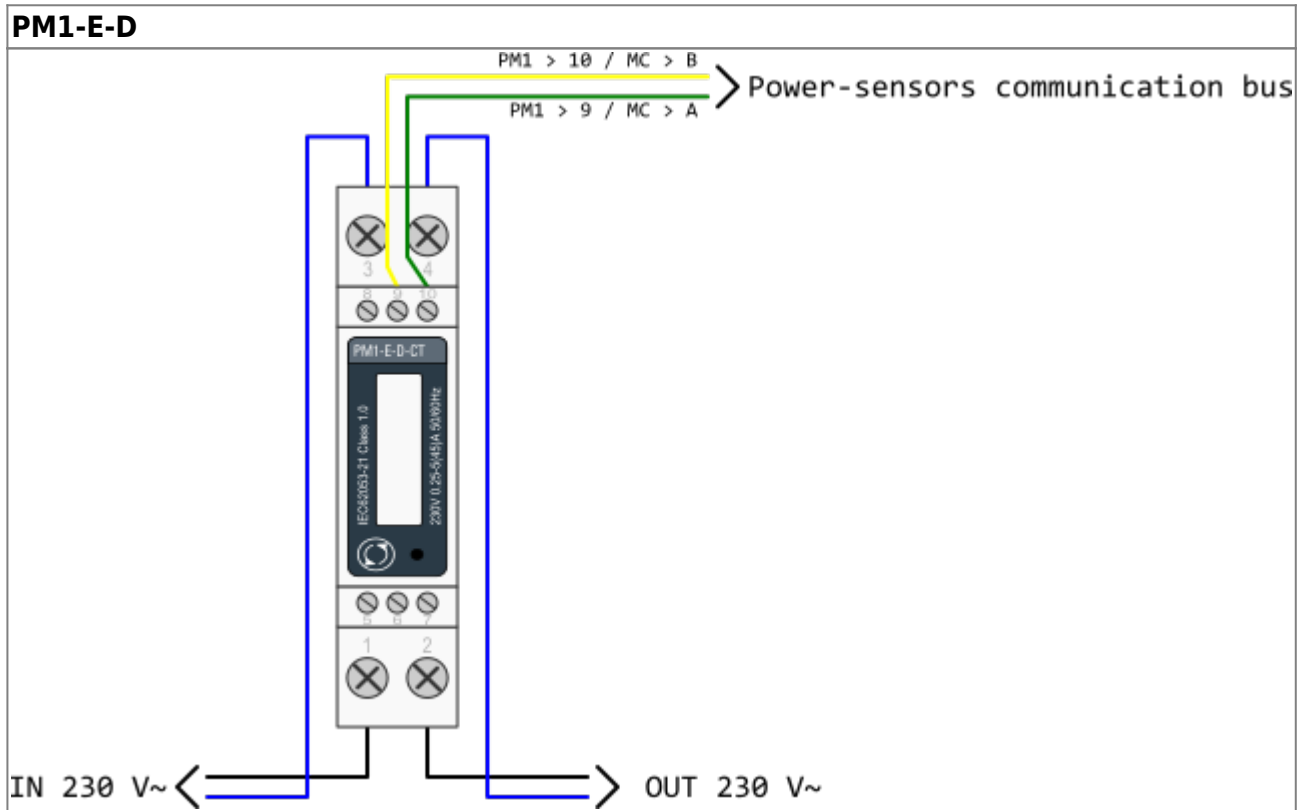
Optional connection to the LAN:

NOTE: optional connection has to be configured on the cloud service. Please contact [support](#). The same applies to specific network requirements, i.e. static IP address.

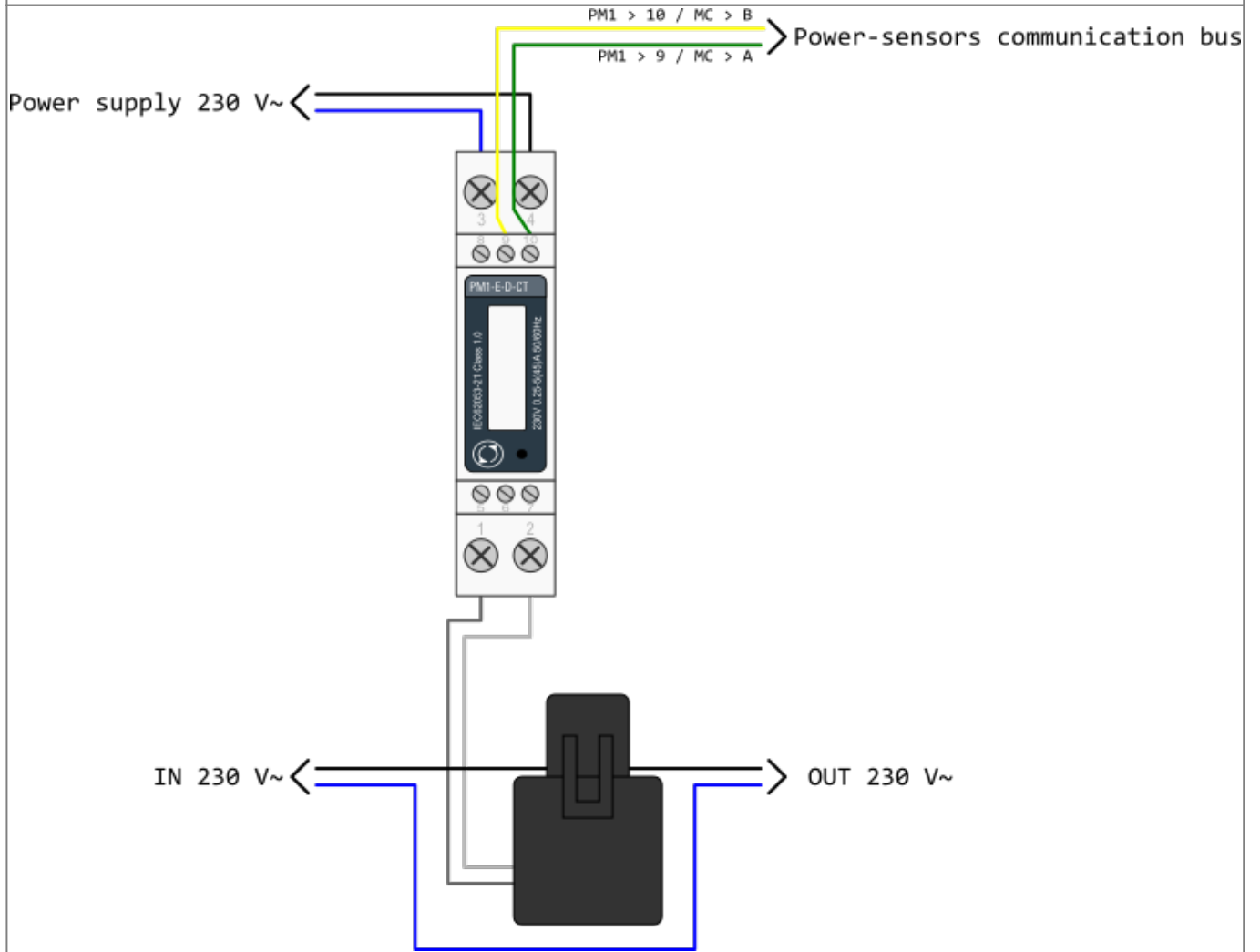


PM3-I-D

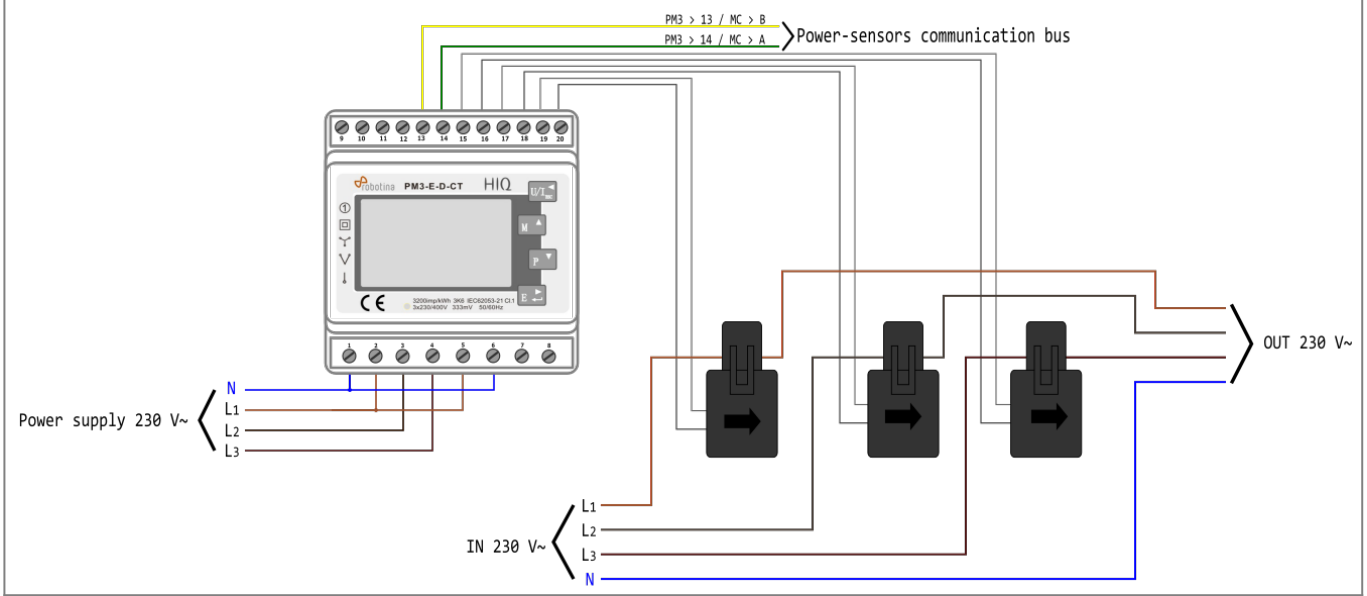




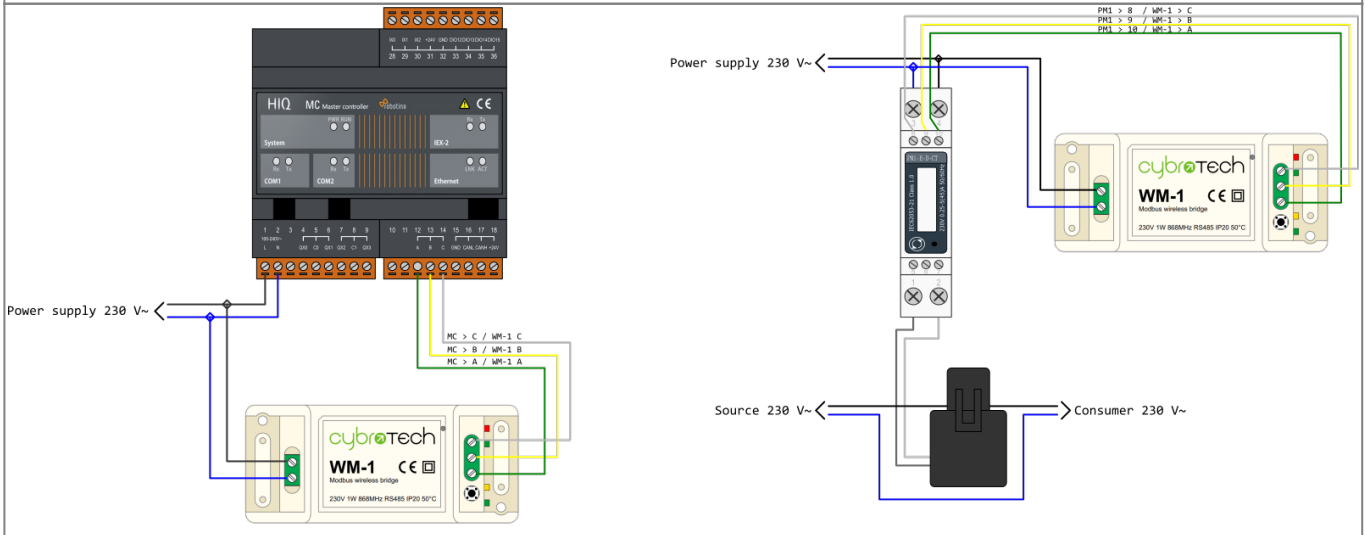
PM1-E-D-CT

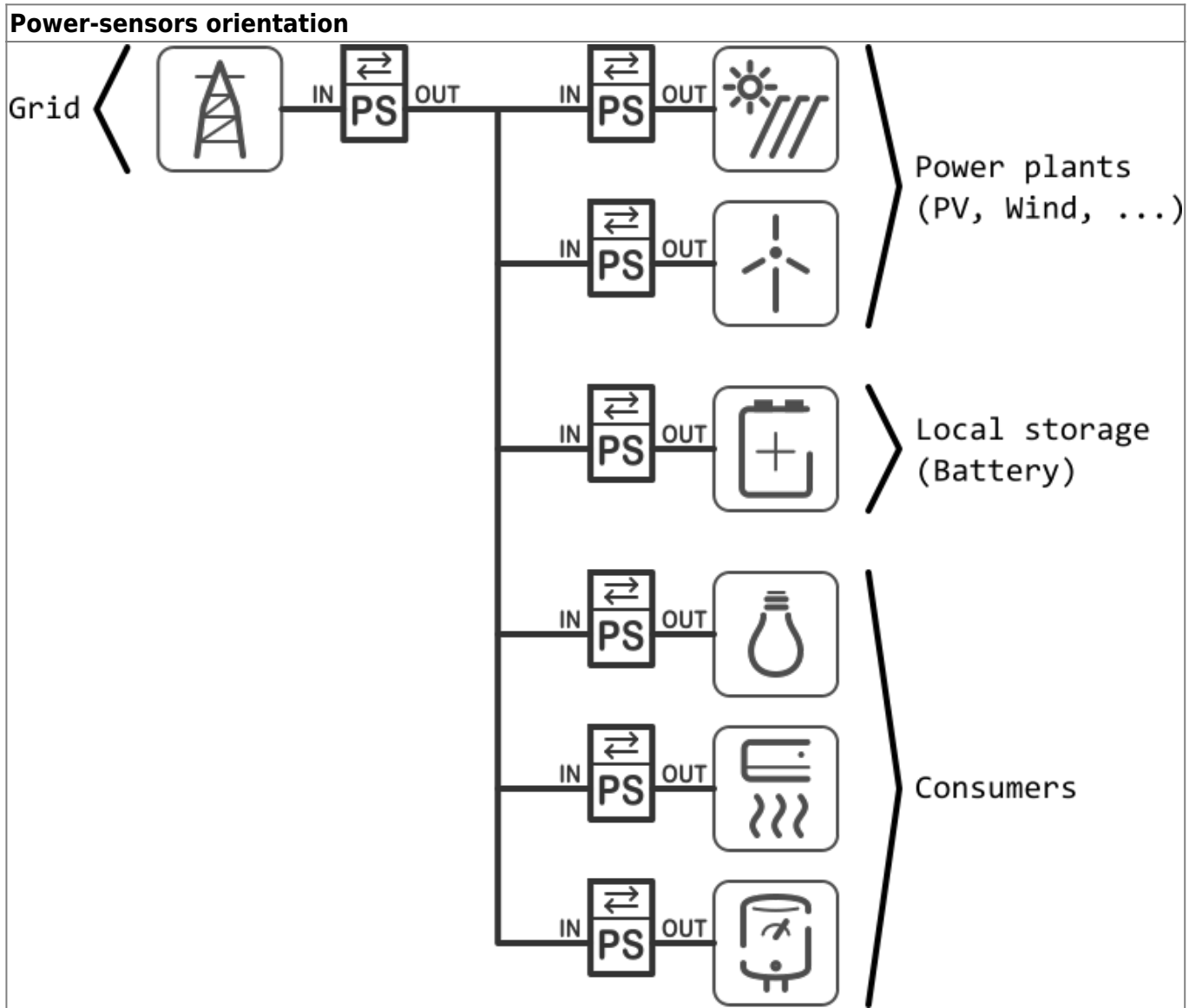


PM3-E-D-CT



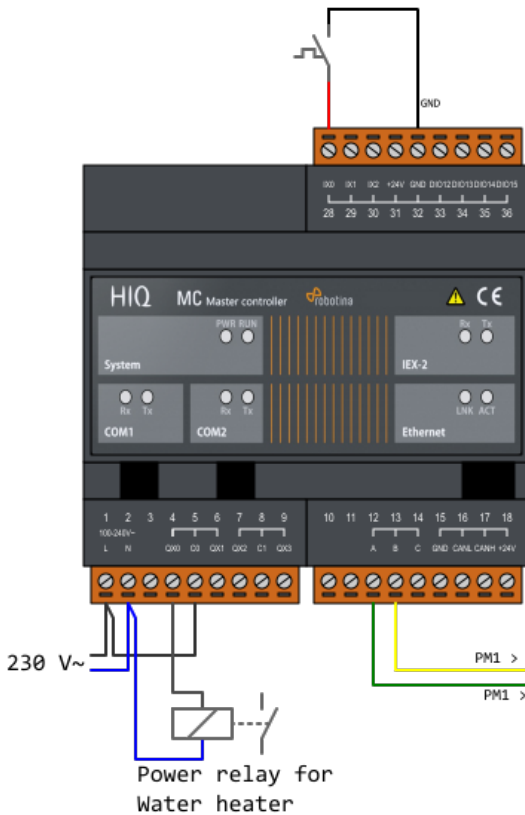
WM-1





Control consumer by external signal

Connect external source to control device, e.g. thermostat signal on IX0 to control temperature by enabling/disabling connected device on QX0.



HEMS configurator

Using HEMS configurator settings page, set Digital 1 for consumer in this case water heater.

| CONSUMERS | icon | output | man.time | P nominal |
|--------------|--------------|-----------|----------|-----------|
| Water heater | Water heater | Digital-1 | 0 min | 2500 W |

Using HEMS configurator IO mux page, set QX0 to Digital 1 and IX0 to Enable consumer 1:

| | Select input/output type | out mode |
|------|--------------------------|----------|
| QX0 | Digital-1 | normal |
| QX1 | / | normal |
| QX2 | / | normal |
| QX3 | / | normal |
| IO12 | / | normal |
| IO13 | / | normal |
| IO14 | / | normal |
| IO15 | / | normal |
| IX0 | Enable consumer-1 | normal |
| IX1 | / | normal |
| IX2 | / | normal |

From: <http://wiki.hiq-universe.com/> -

Permanent link: http://wiki.hiq-universe.com/doku.php?id=en:hems_v1_2_0:methods_resources:wiring&rev=1636033725

Last update: 2021/11/04 13:48

