

HEMS v1.2.x wiring

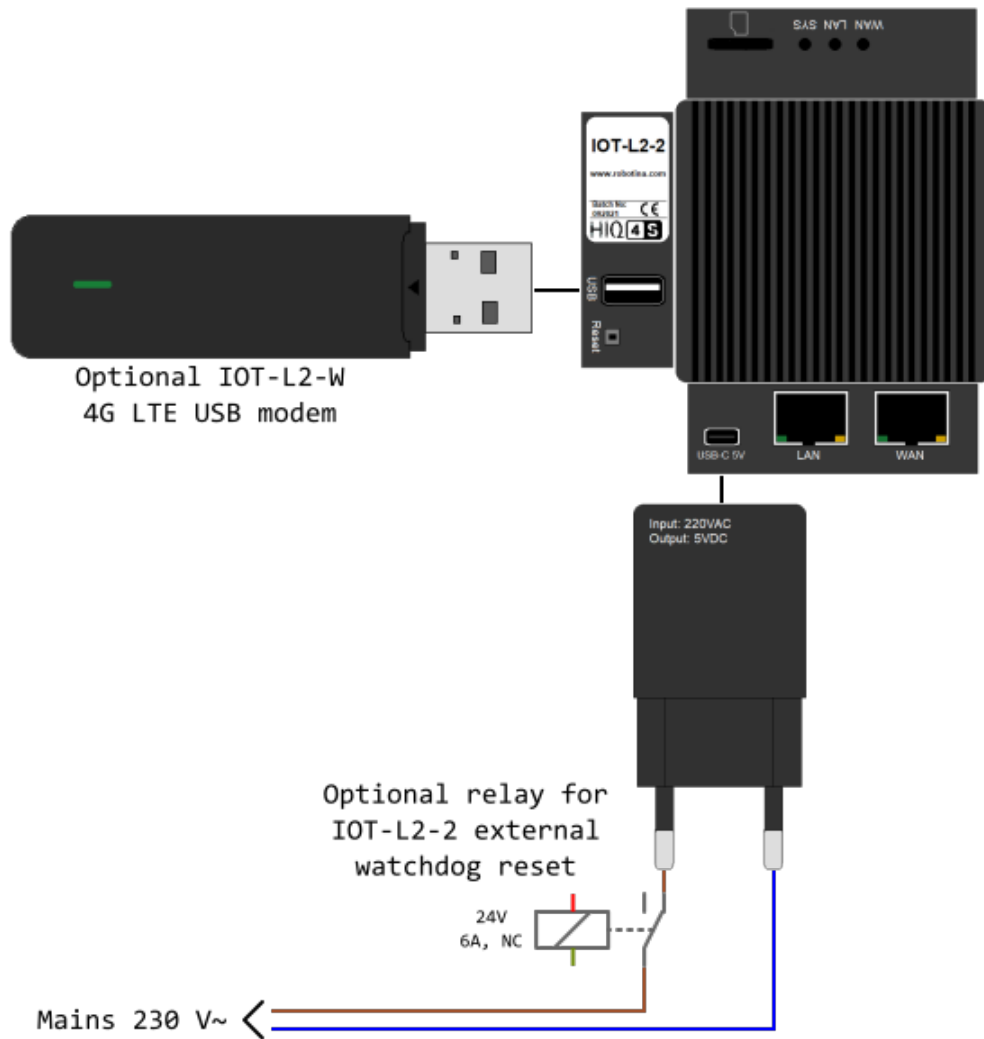
MC-230

Wiring of default configuration.

NOTE: several different configurations can be configured with [HEMS Configurator](#).

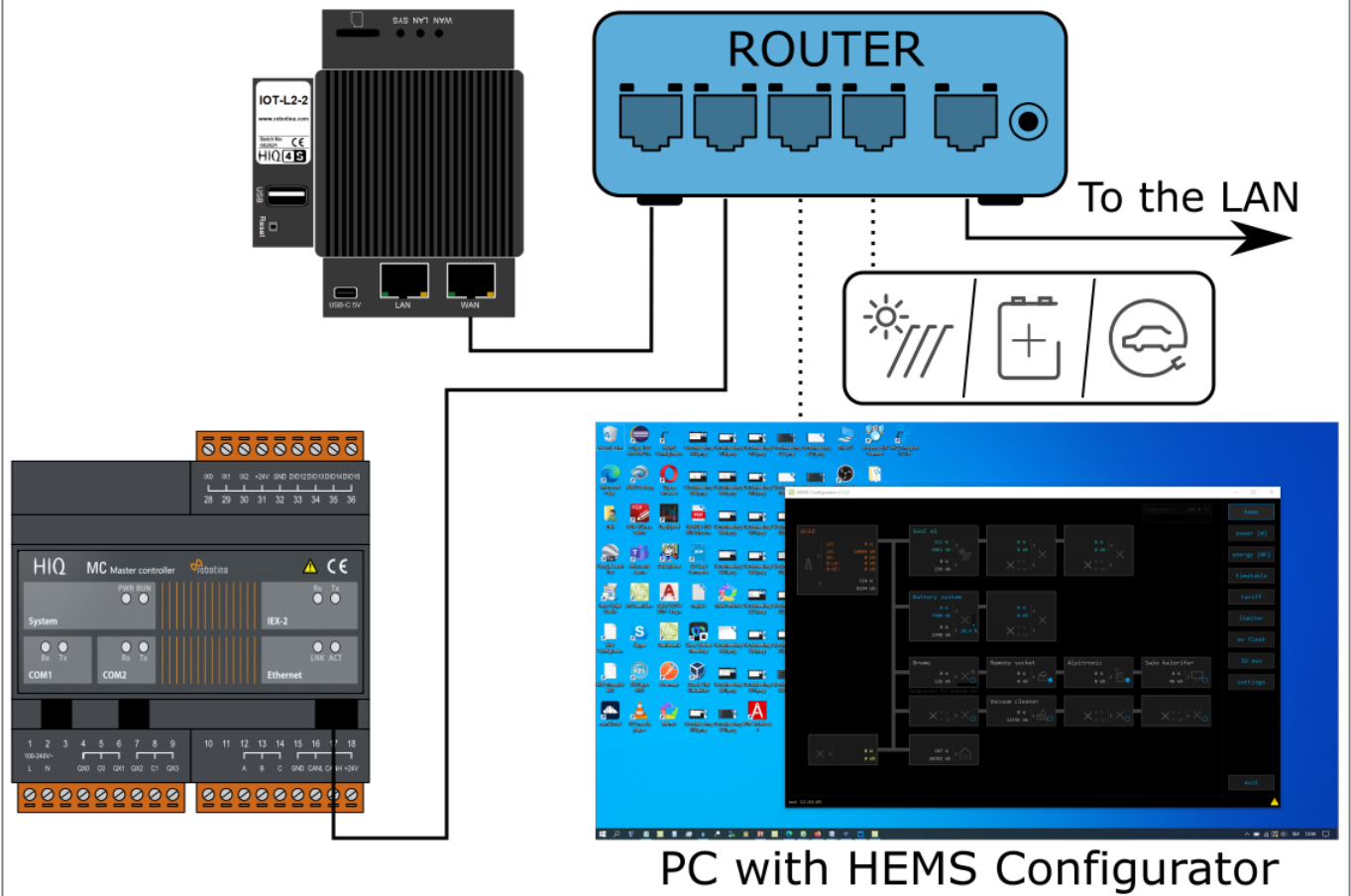


IOT-L2-2

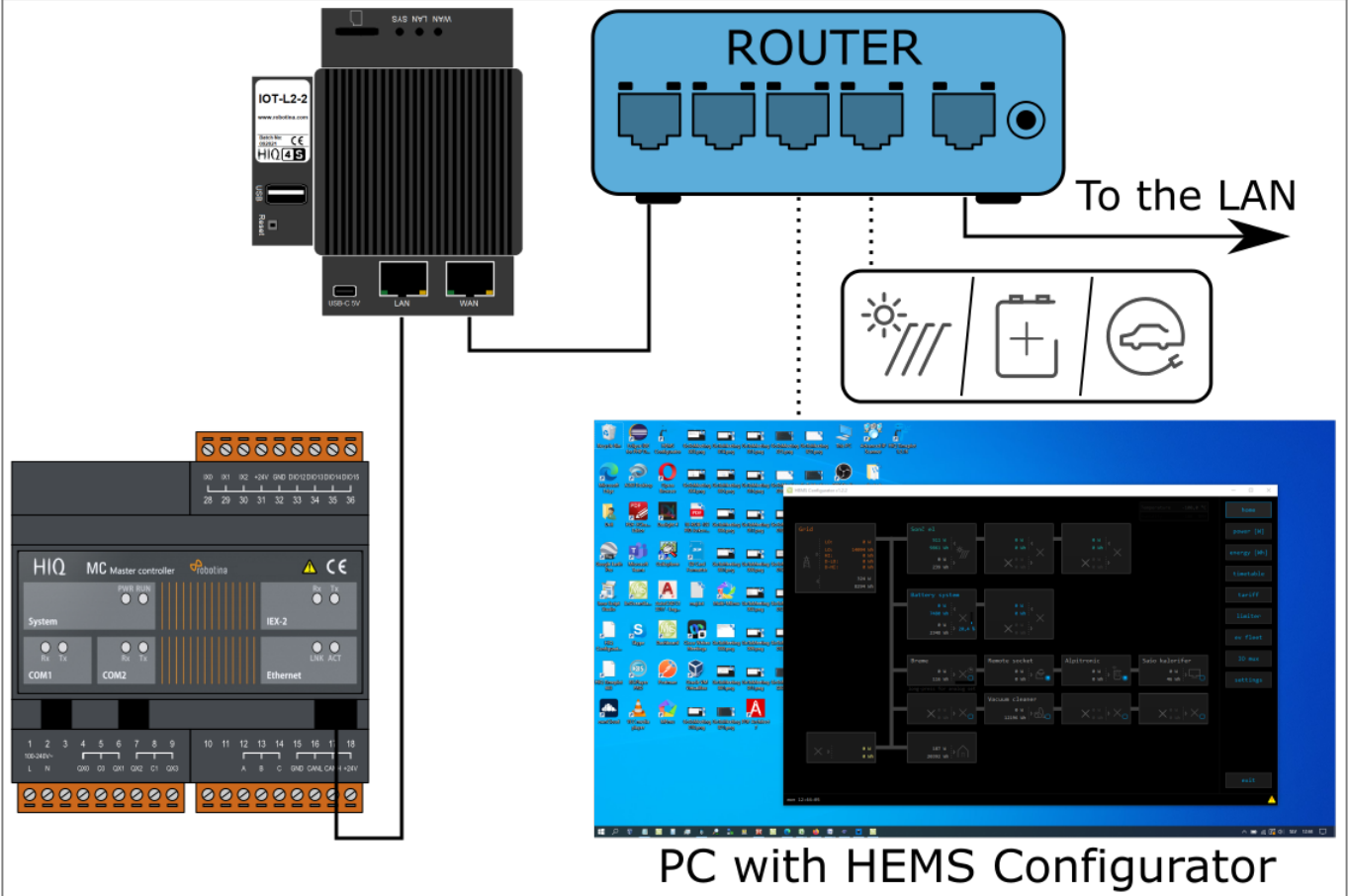


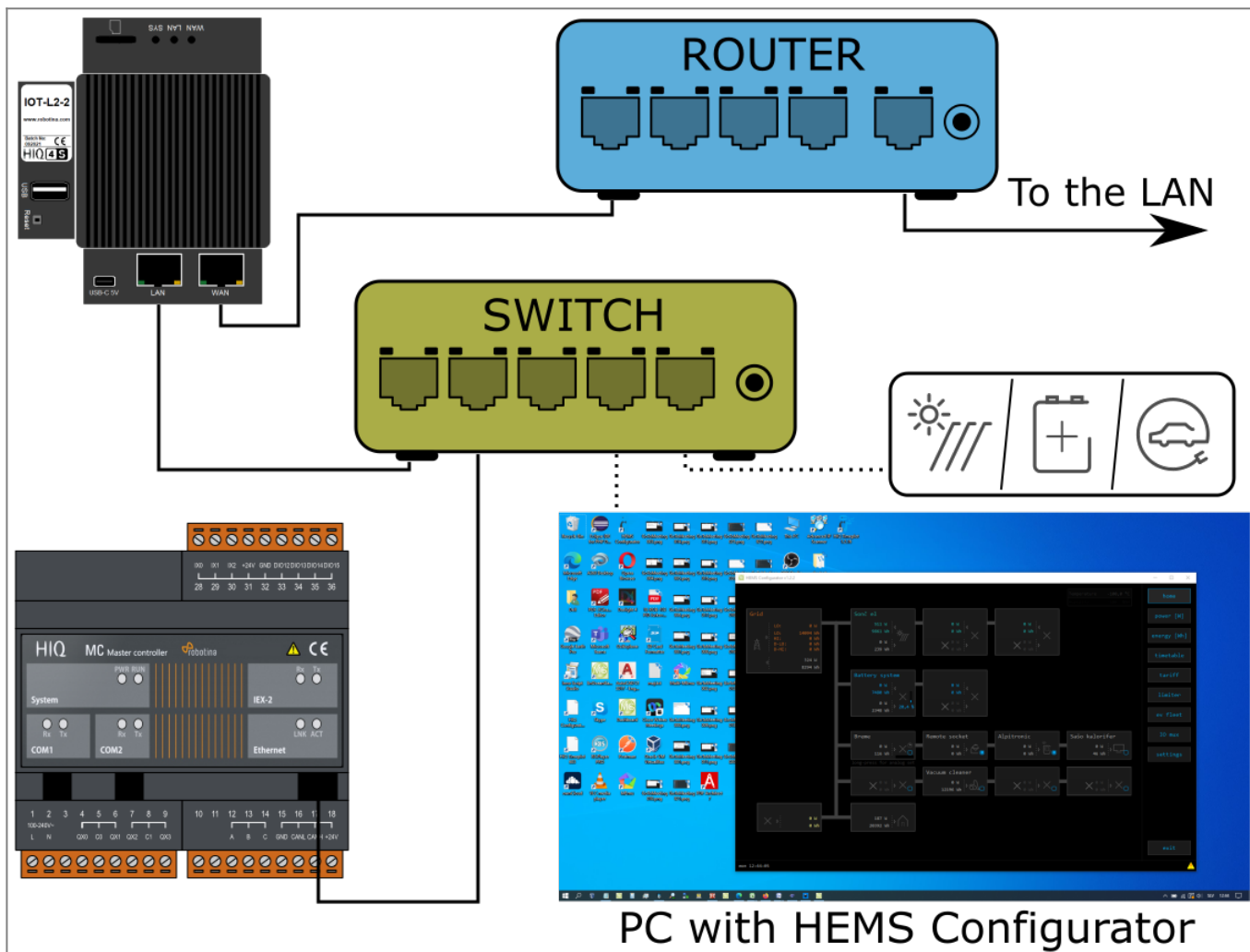
Network → MC-230, IOT-L2-2 and optionally LTE 4G modem

Default connection to the LAN:



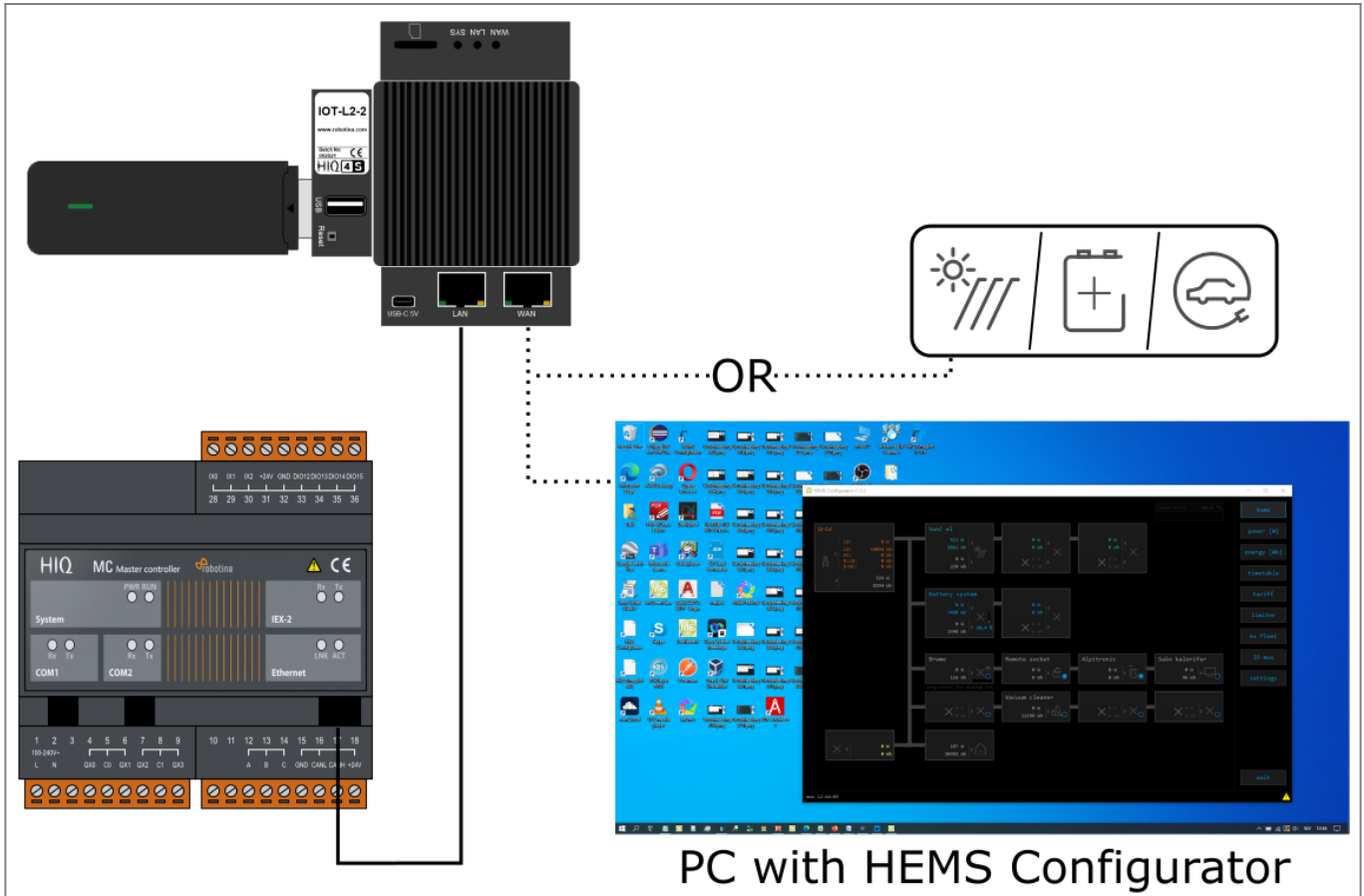
Optional LAN connections:



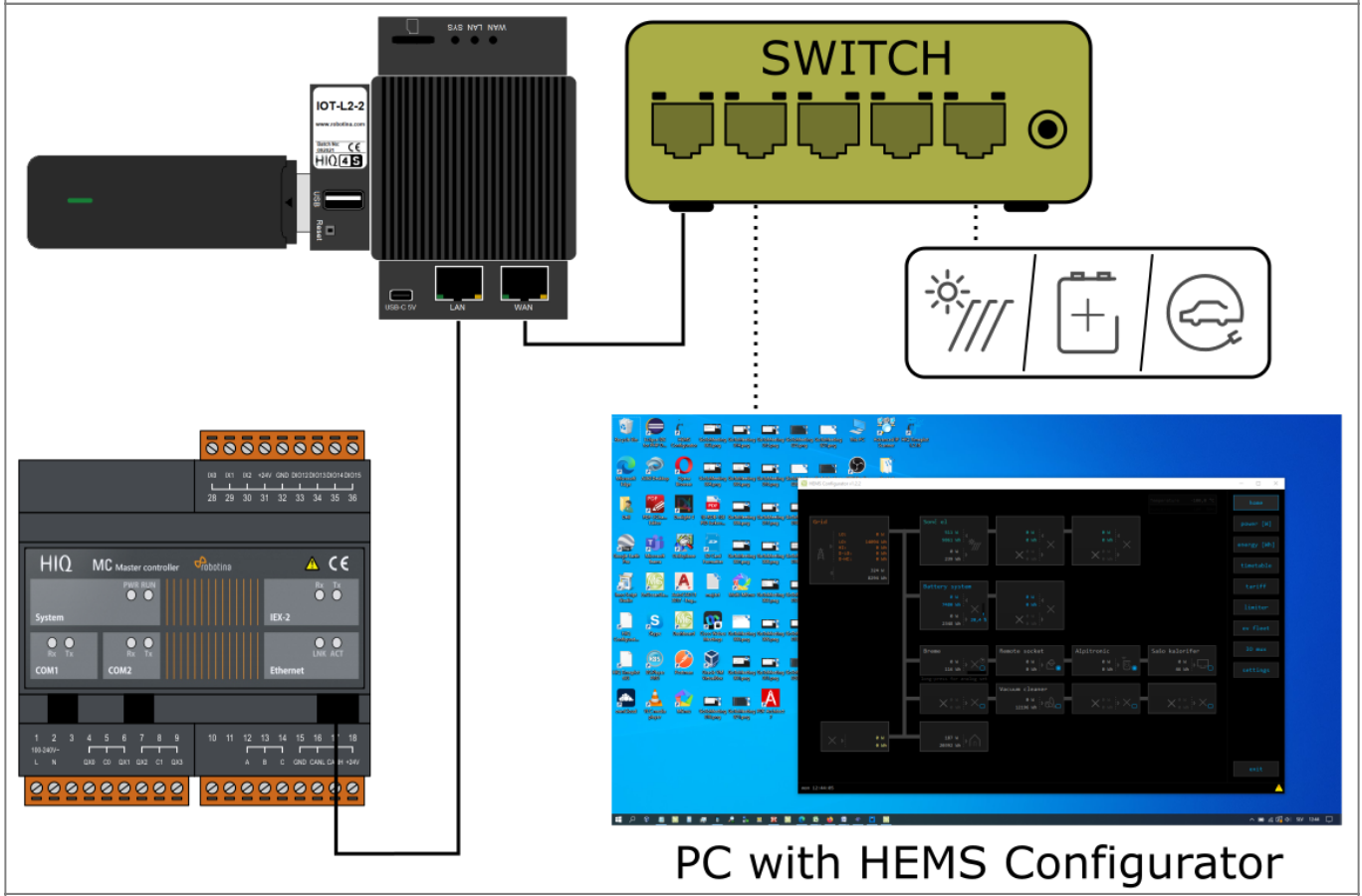


Default connection via LTE 4G modem:

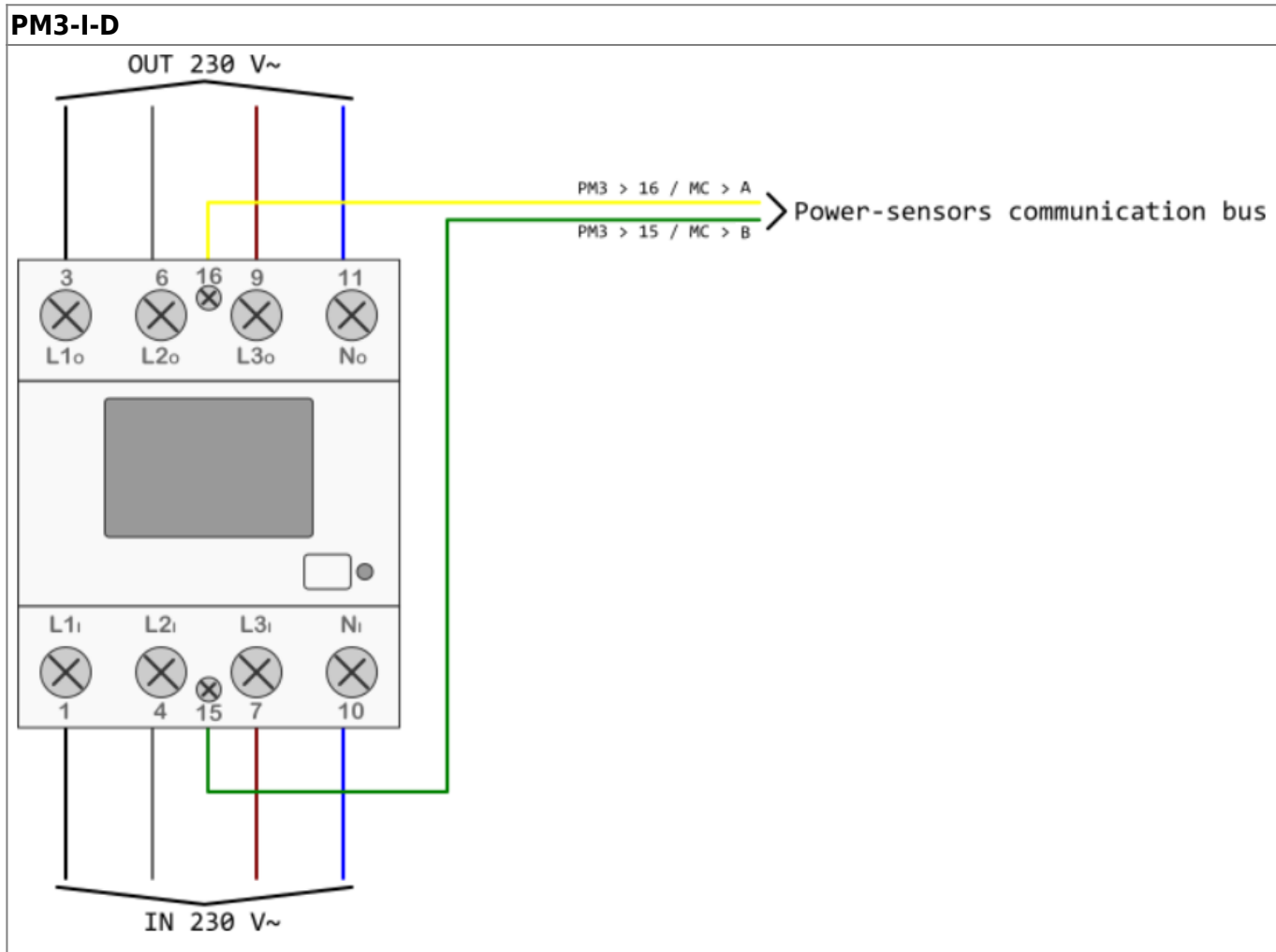
NOTE: All devices will have internet access vis LTE modem which can result in high costs on your LTE account.



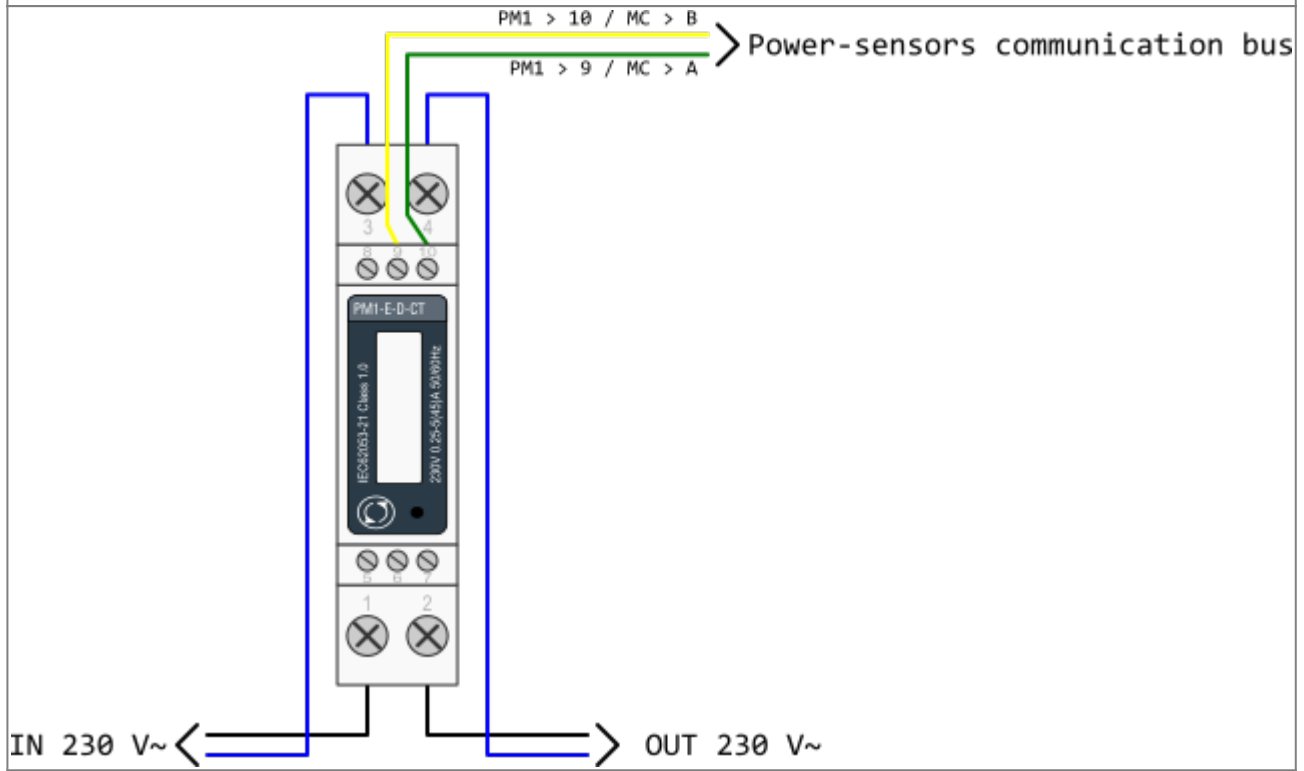
Optional LTE 4G modem connection:

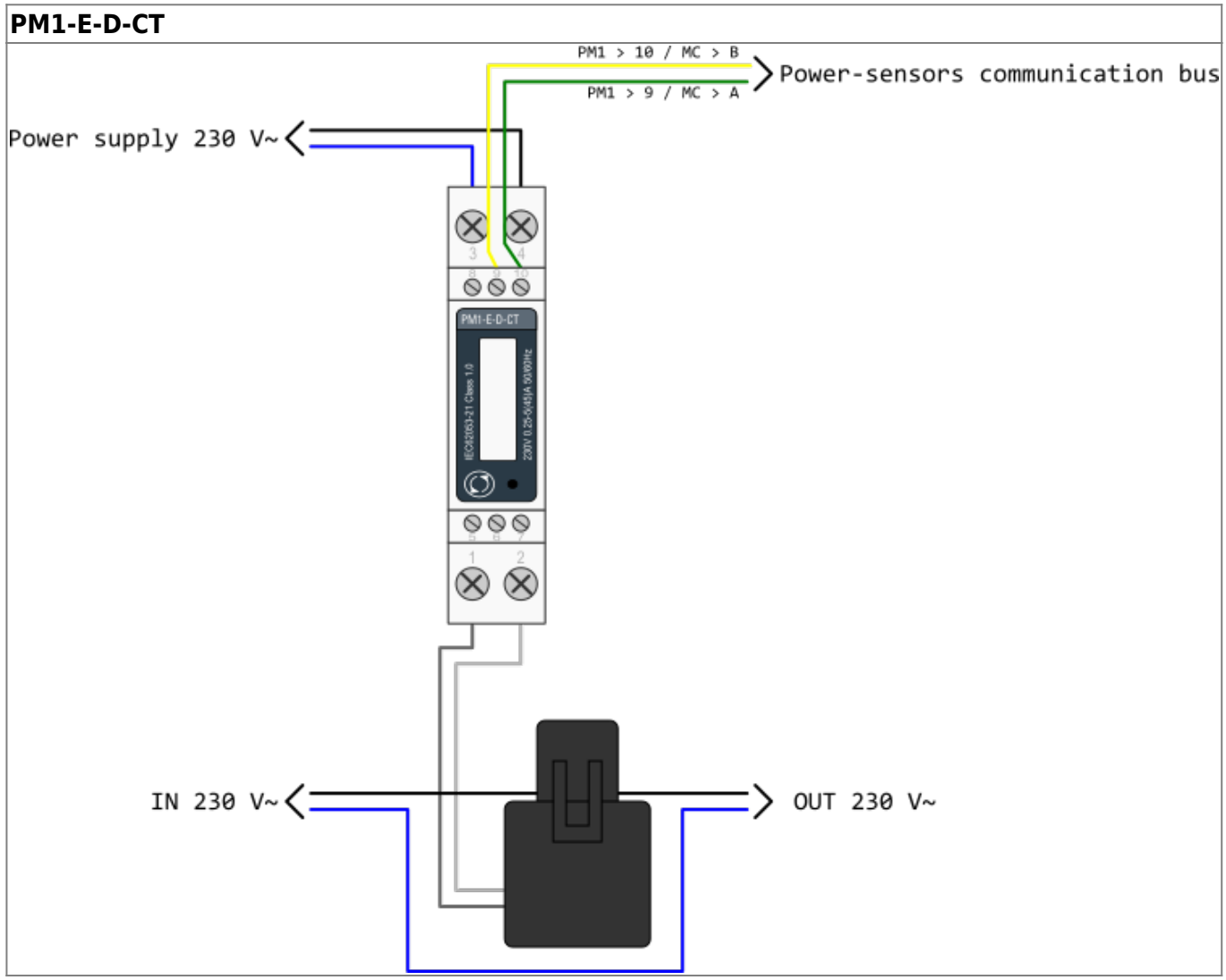


NOTE: Specific network requirements, i.e. static IP address can be configured on the cloud service. Please contact [support](#).

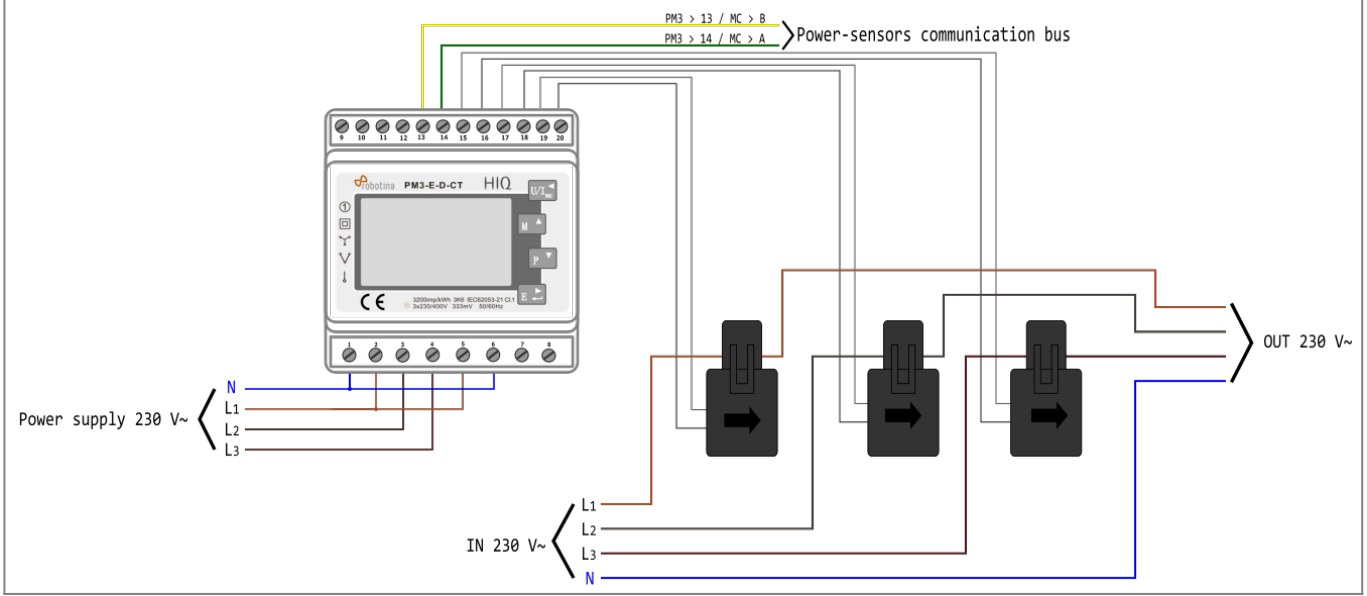


PM1-E-D

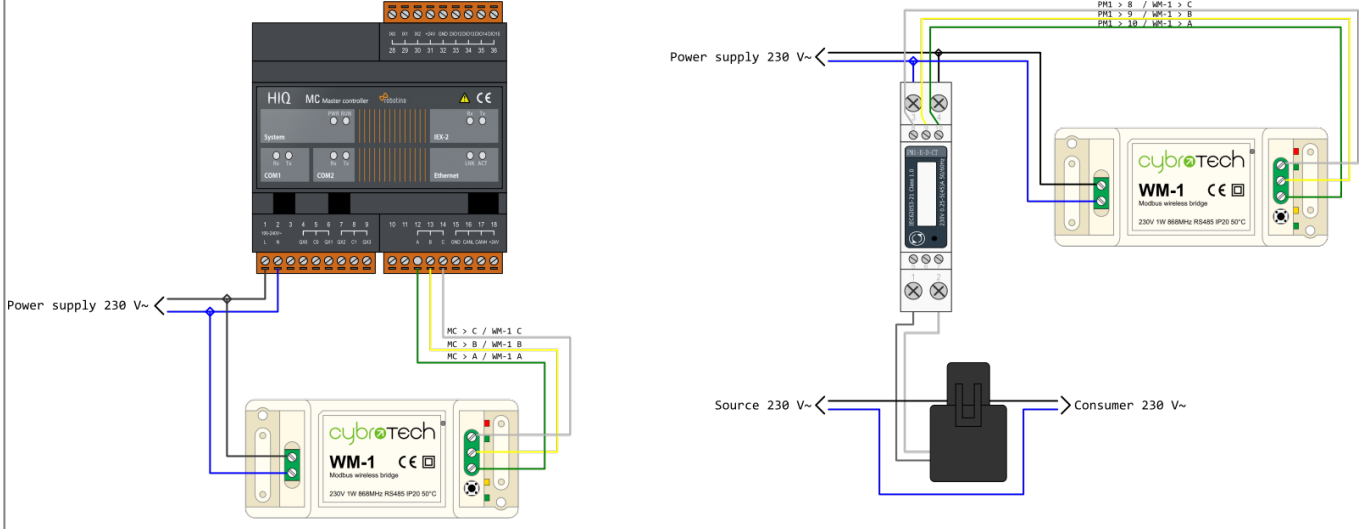


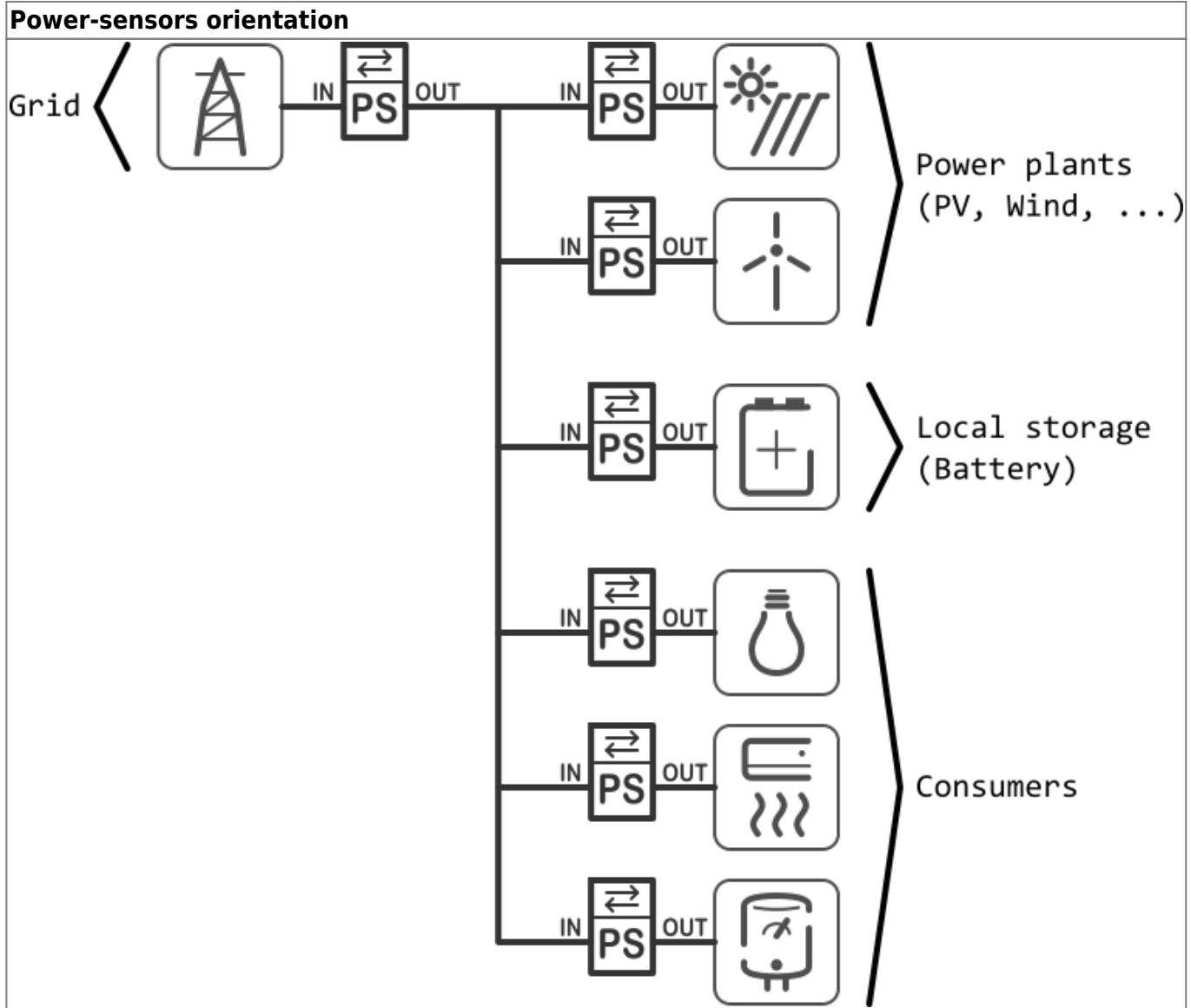


PM3-E-D-CT



WM-1





Control consumer by external signal

Connect external source to control device, e.g. thermostat signal on IX0 to control temperature by enabling/disabling connected device on QX0.

Power relay for Water heater

HEMS configurator

Using HEMS configurator settings page, set Digital 1 for consumer in this case water heater.

CONSUMERS	icon	output	man.time	P nominal
Water heater	Water heater	Digital-1	0 min	2500 W

Using HEMS configurator IO mux page, set QX0 to Digital 1 and IX0 to Enable consumer 1:

	Select input/output type	out mode
QX0	Digital-1	normal
QX1	/	normal
QX2	/	normal
QX3	/	normal
IO12	/	normal
IO13	/	normal
IO14	/	normal
IO15	/	normal
IX0	Enable consumer-1	normal
IX1	/	normal
IX2	/	normal

From: <http://wiki.hiq-universe.com/> -

Permanent link: http://wiki.hiq-universe.com/doku.php?id=en:hems_v1_2_0:methods_resources:wiring&rev=1636125079

Last update: 2021/11/05 15:11

