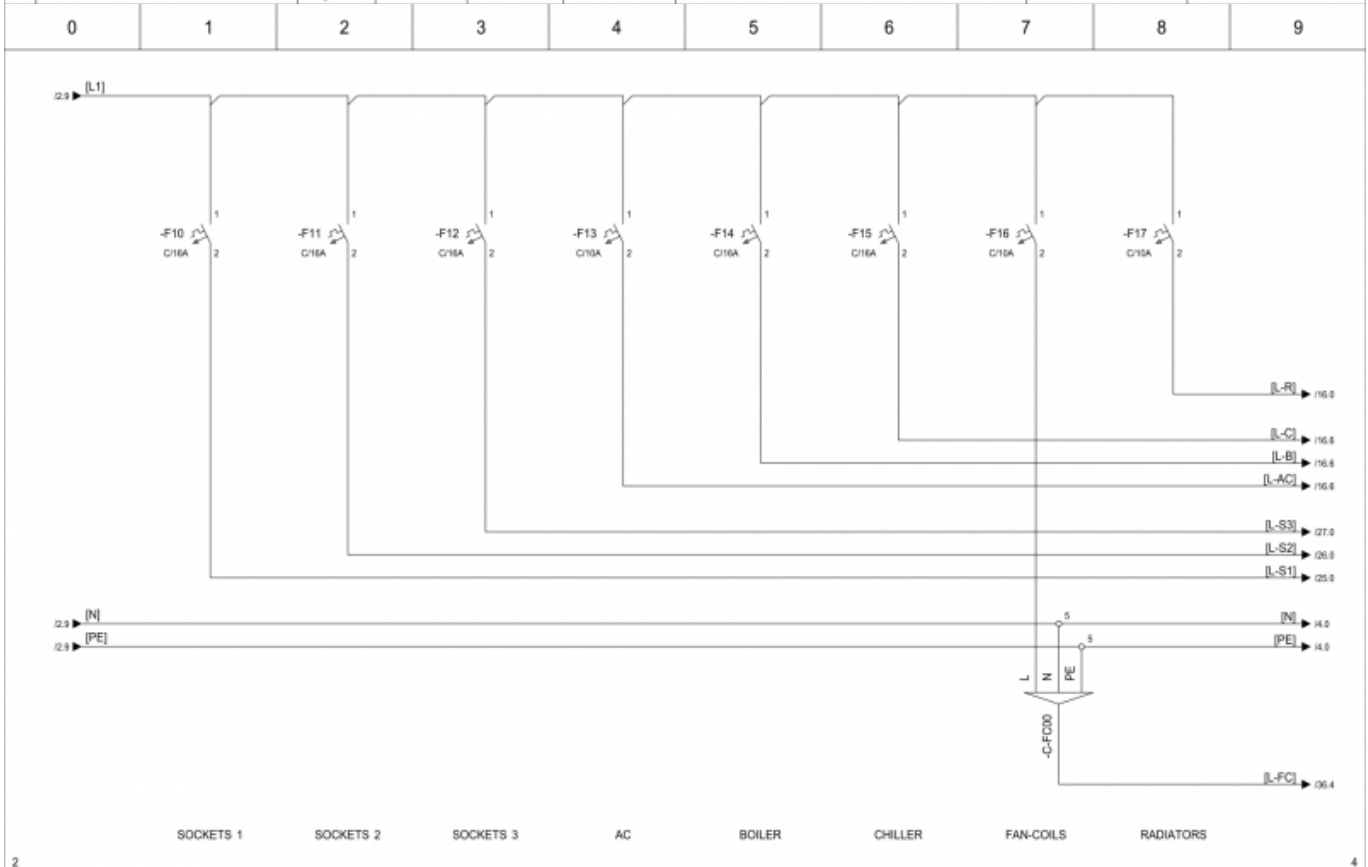


			Last changed by SS Last changed 7/11/2016 Print date 9/11/2016	Robotina d.o.o. OIC Kozina 38 SI-6240 Kozina	POWER DISTRIBUTION HIQ wiring diagrams	Drawing number 001	Installation =
Rev 1	Revision text	Signature	Date			Pages 38	Location +



			Last changed by GK Last changed 2/11/2016 Print date 9/11/2016	Robotina d.o.o. OIC Kozina 38 SI-6240 Kozina	POWER DISTRIBUTION HIQ wiring diagrams	Drawing number 001	Installation =
Rev 1	Revision text	Signature	Date			Pages 38	Location +

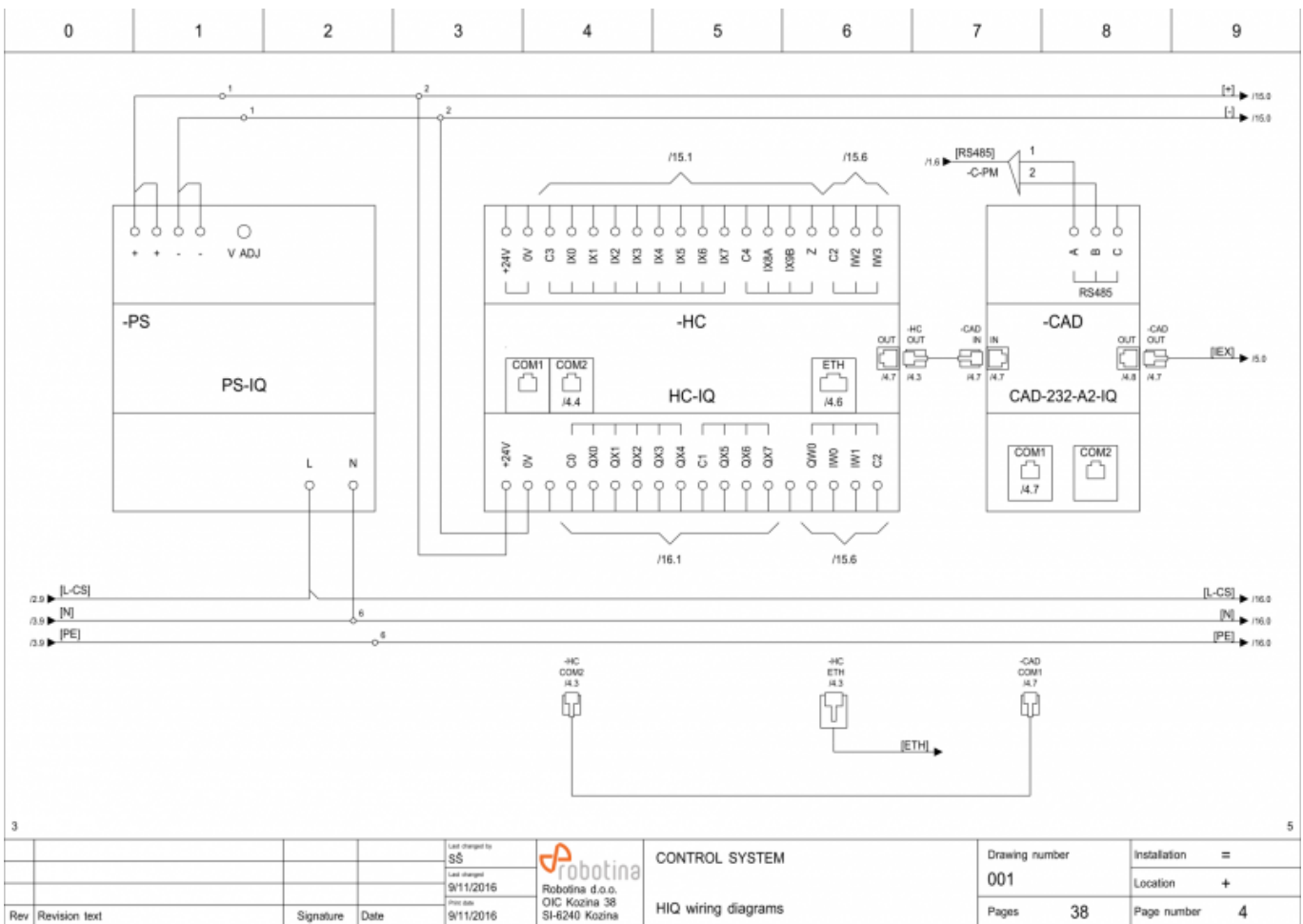
Page 4 - Control System-Power supply, HC, CAD-232

24V power supply (PS) for control system, Home controller and CAD-232-A2-IQ.

24V power supply can be optionally used for LED lighting (up to 2.5A with serial power supply, larger power supply can be used).

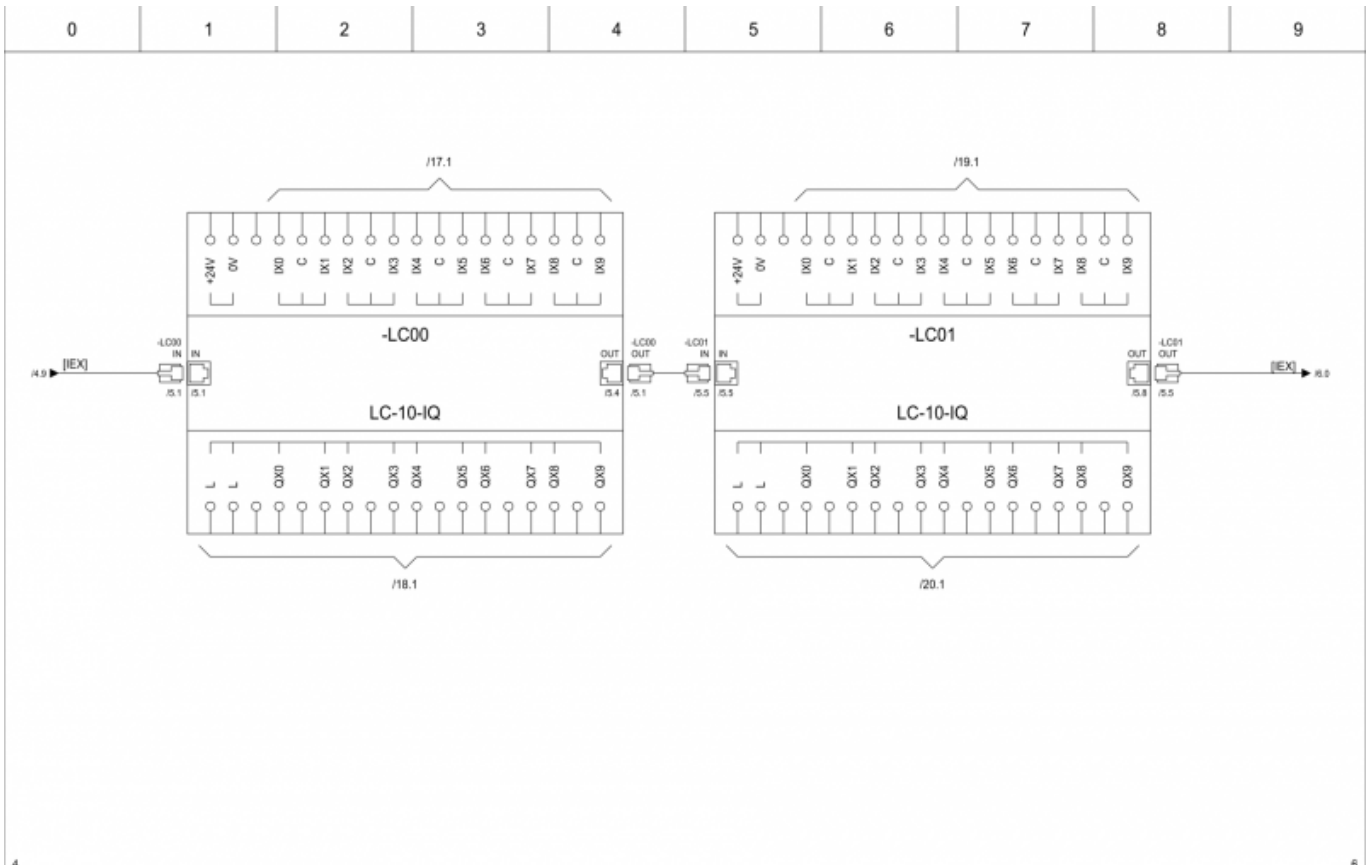
Home controller (HC) is the heart of the system. It is connected to the network (ETH) and has optional inputs (connections are on page 15) and outputs (connections are on page 16).

CAD-232-A2-IQ expander is used as communication interface between home controller and power meter (If power meter is not used then the expander is not necessary). It is connected to a home controller through IEX bus, to COM2 on home controller input and to power meter (RS485 communication).

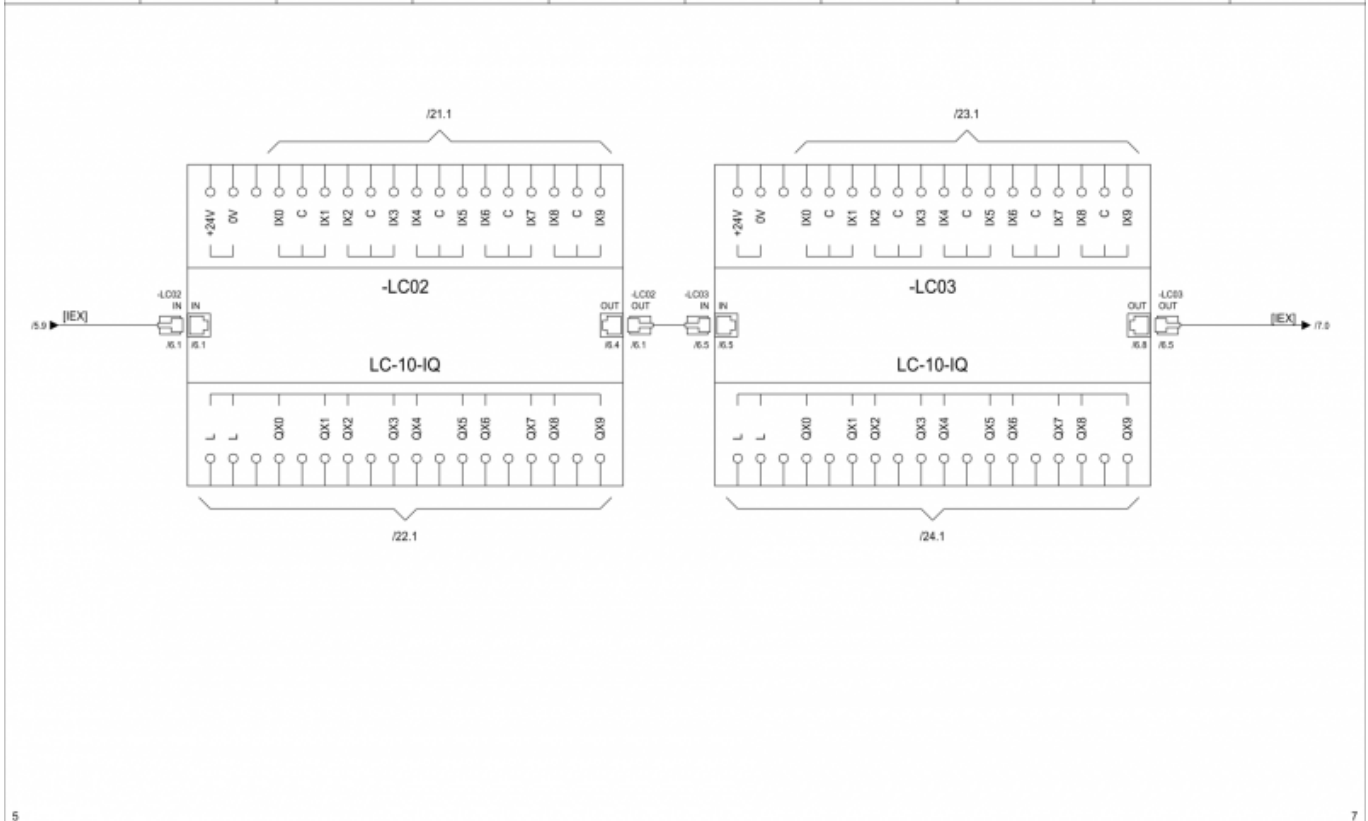


Page 5-6 - CS-Light controller 00 and 01

Light controllers (LC) are connected to IEX bus, we can connect up to up 4 LC to 1 home controller. On the top side are inputs and on the bottom side are outputs (connections are on page 17-24).



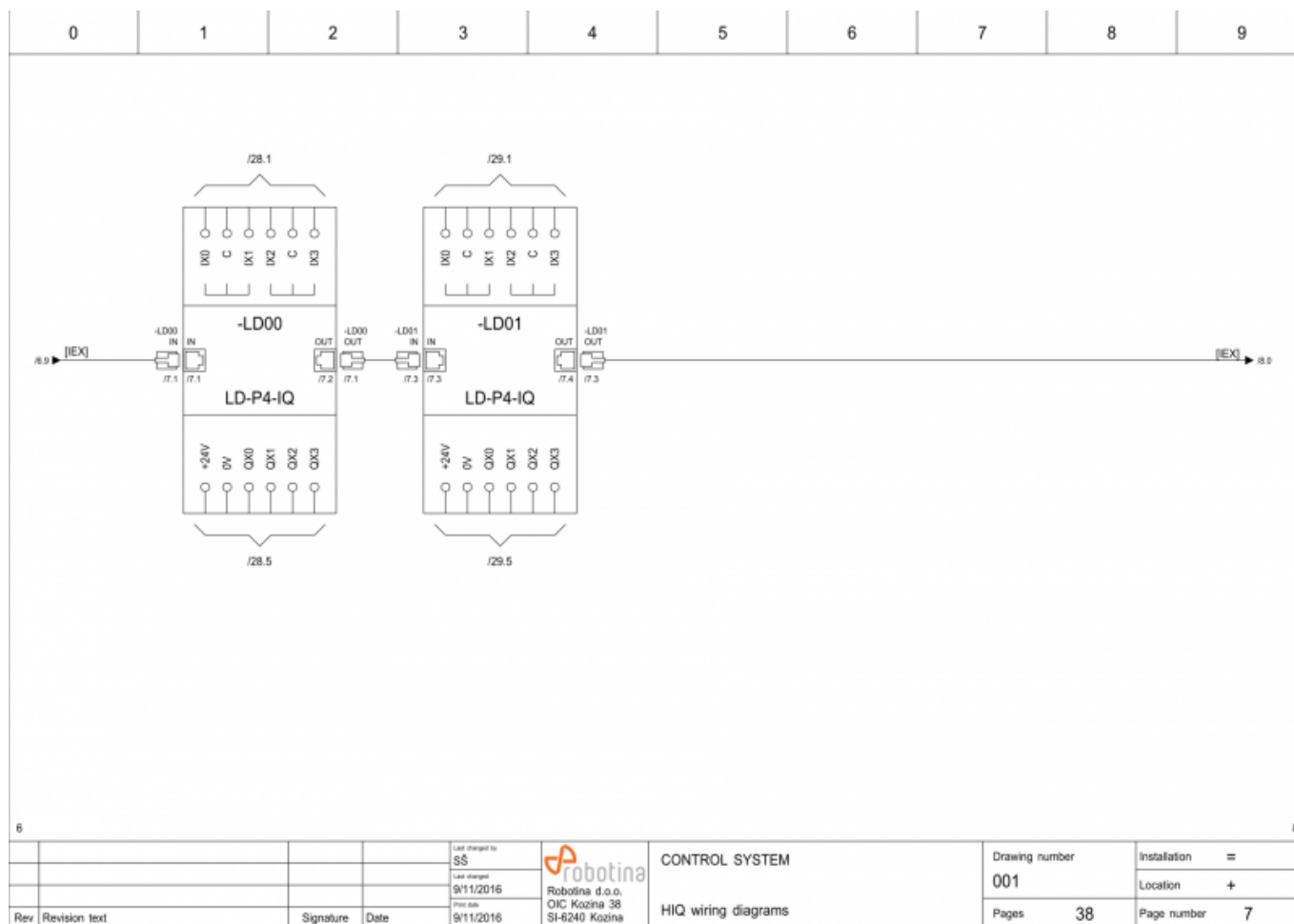
			Last changed by GK Last changed 20/10/2016 Print date 9/11/2016		Robotina d.o.o. OIC Kozina 38 SI-6240 Kozina	CONTROL SYSTEM HIQ wiring diagrams		Drawing number 001 Pages 38		Installation = Location + Page number 5	
Rev	Revision text	Signature	Date								



			Last changed by GK Last changed 20/10/2016 Print date 9/11/2016		Robotina d.o.o. OIC Kozina 38 SI-6240 Kozina	CONTROL SYSTEM HIQ wiring diagrams		Drawing number 001 Pages 38		Installation = Location + Page number 6	
Rev	Revision text	Signature	Date								

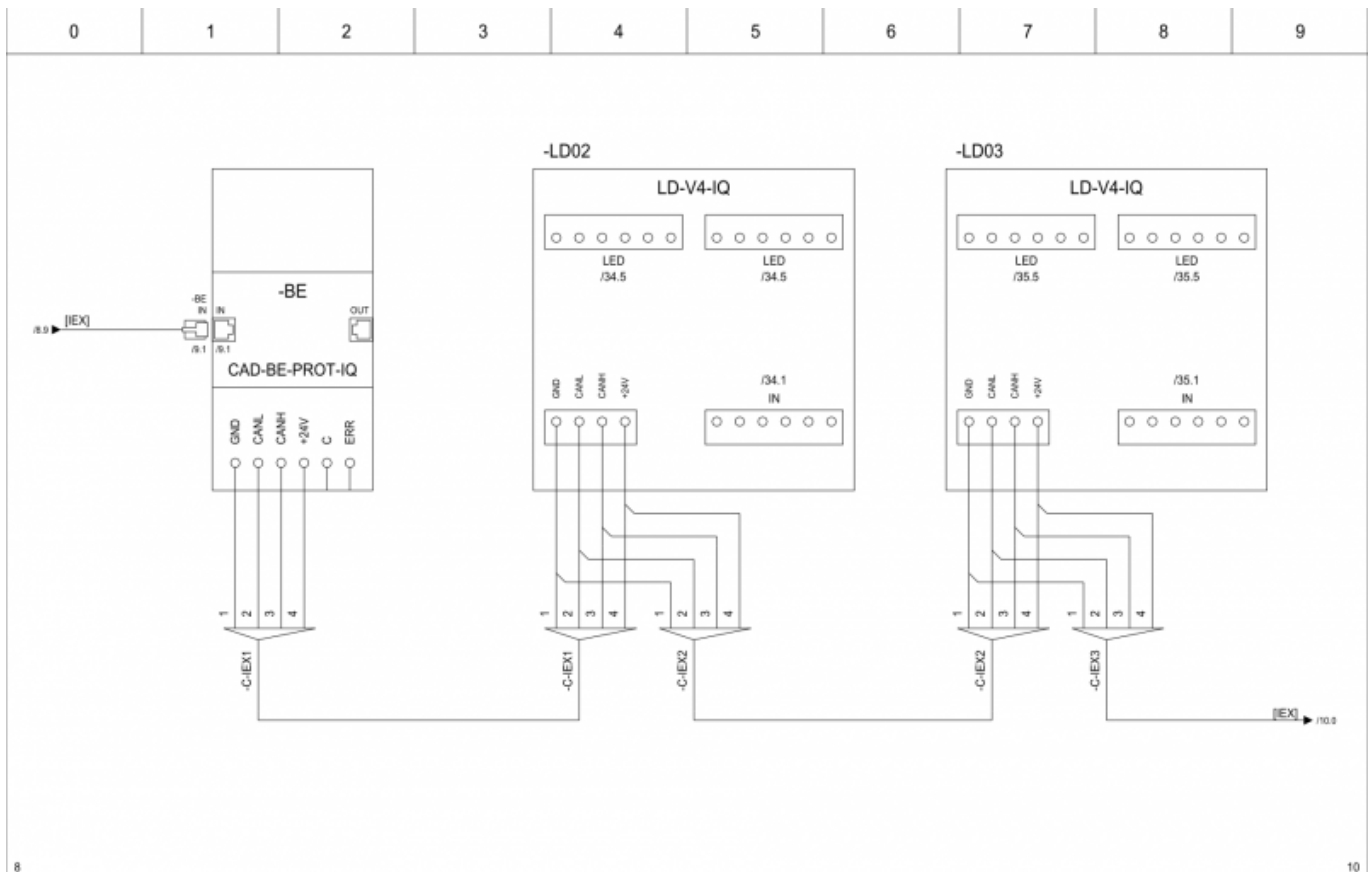
Page 7 - CS - Light dimmer

Up to 4 light dimmers can be connected to 1 HC. On sample plan we use 2 [Light dimmers drivers](#) for [LUD-12](#) universal light dimmers.



Page 8 - CS - Blinds controllers

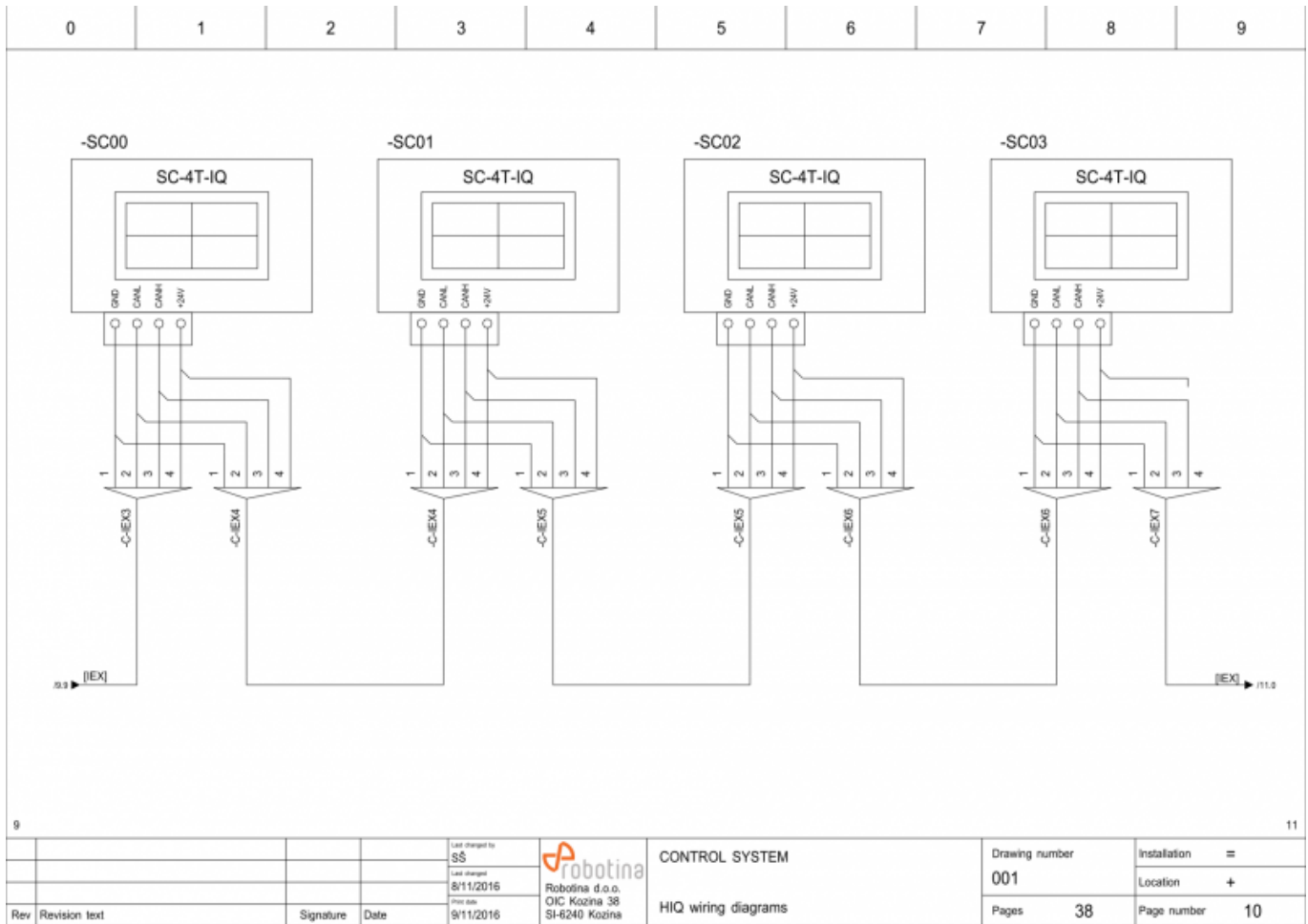
Up to 2 [Blinds controllers \(BC\)](#) can be connected to 1 HC.



8		10	
Rev	Revision text	Signature	Date
			31/11/2016
Last changed by SS Last changed 31/11/2016 Drawn 31/11/2016		Robotina Robotina d.o.o. OIC Kozina 38 SI-6240 Kozina	
CONTROL SYSTEM		HIQ wiring diagrams	
Drawing number		Installation =	
001		Location +	
Pages 38		Page number 9	

Page 10 - CS - Scene controllers

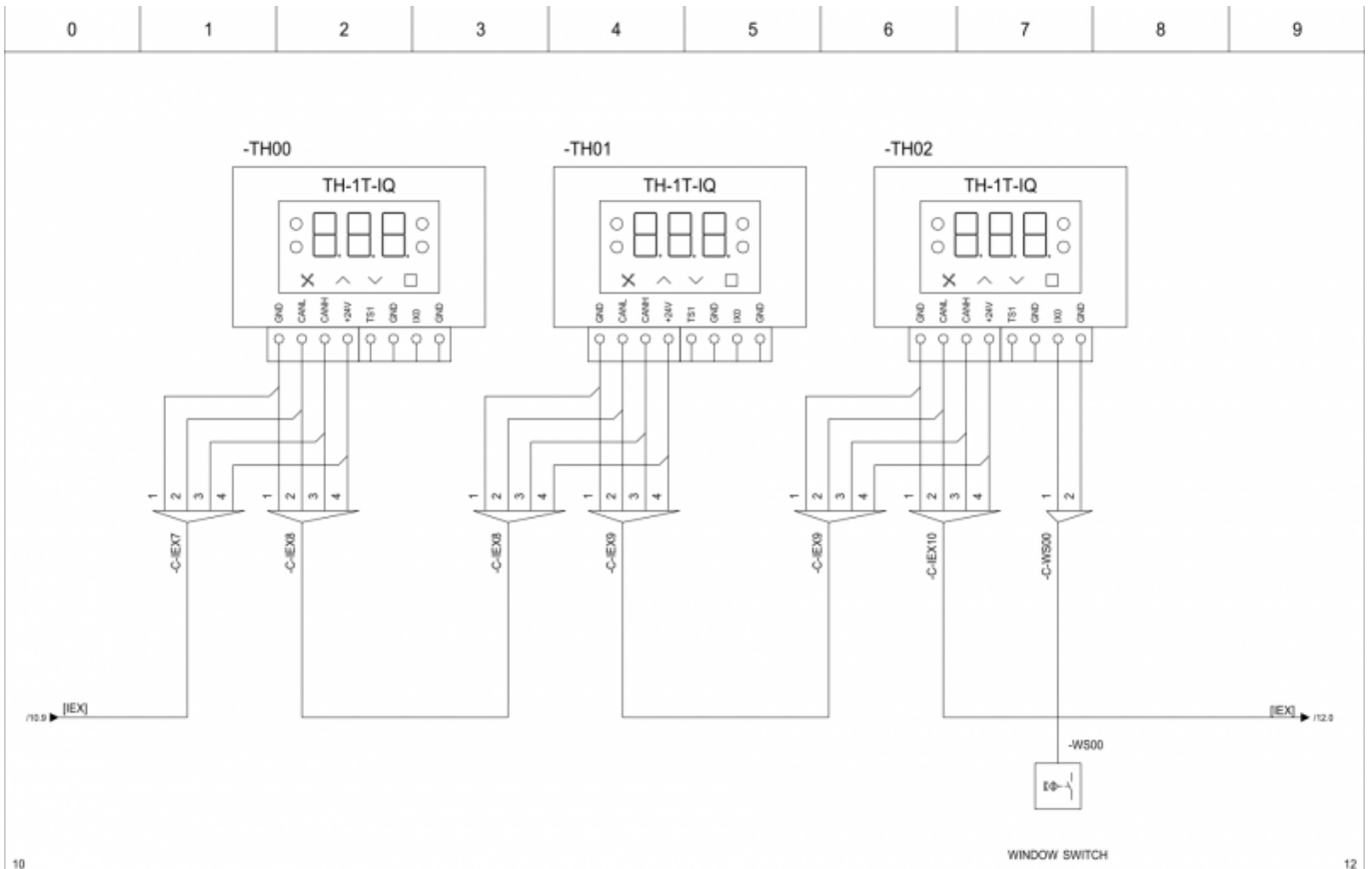
Up to 4 Scene Controllers can be connected to 1 HC. On sample plan are 4 [Scene Touch Panels](#), but also [Scene Panels](#) and [Scene controllers](#) can be connected in the same way.



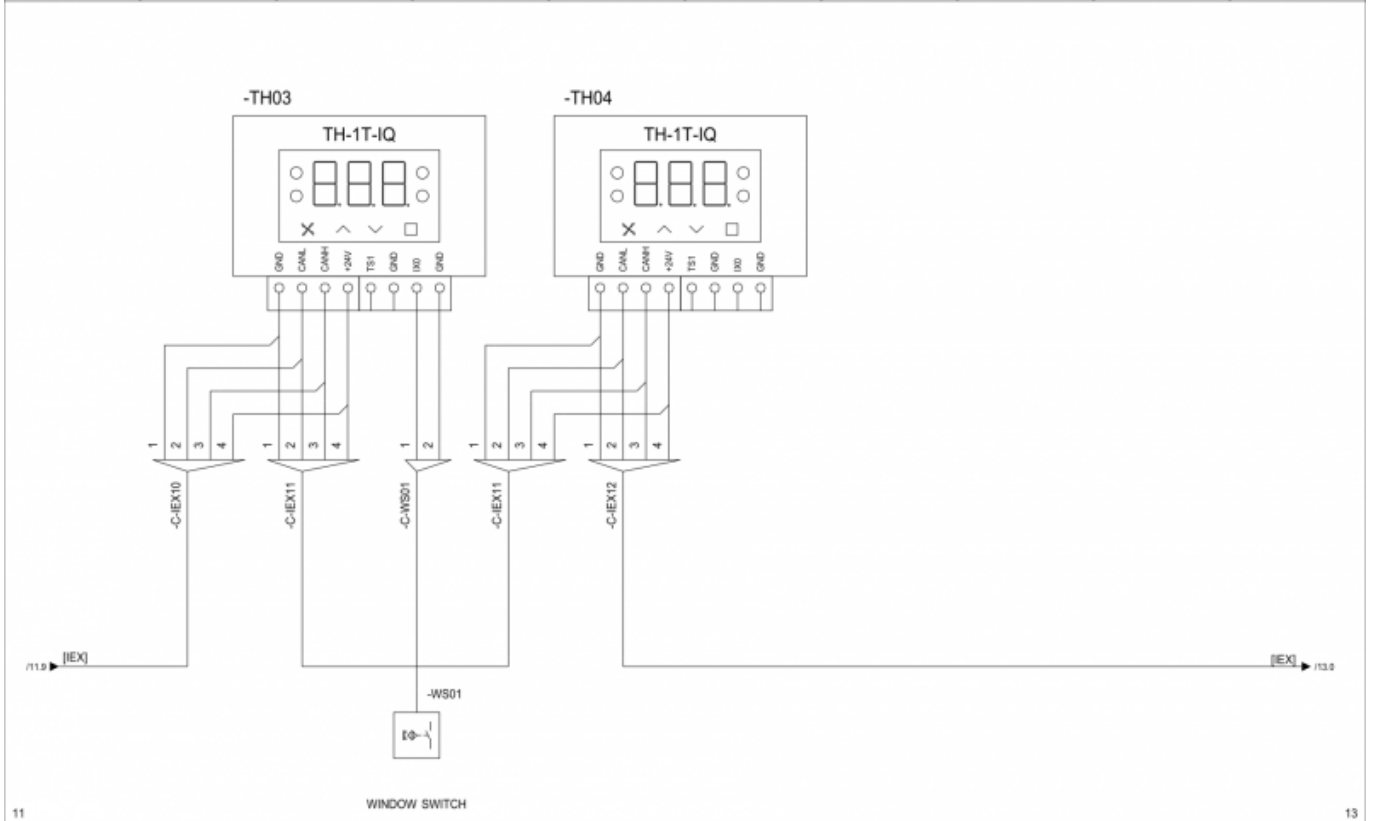
Page 11-12 - CS - Thermostats

Up to 5 Thermostats can be connected to 1 HC. On sample plan we use 5 [Touch buttons electronic thermostats](#), but also ordinary [Electronic thermostats](#) and [Blind electronic thermostats](#) can be connected in a similar way.

Optionally we can connect window switch on each thermostat (sample on -TH02 and -TH03) (not possible with [Blind electronic thermostat](#)).



			Last changed by SS Last changed 8/11/2016 Drawn by 8/11/2016	Robotina d.o.o. OIC Kozina 38 SI-6240 Kozina	CONTROL SYSTEM	Drawing number 001	Installation = Location +
Rev	Revision text	Signature	Date		8/11/2016	HIQ wiring diagrams	Pages 38
0	1	2	3	4	5	6	7

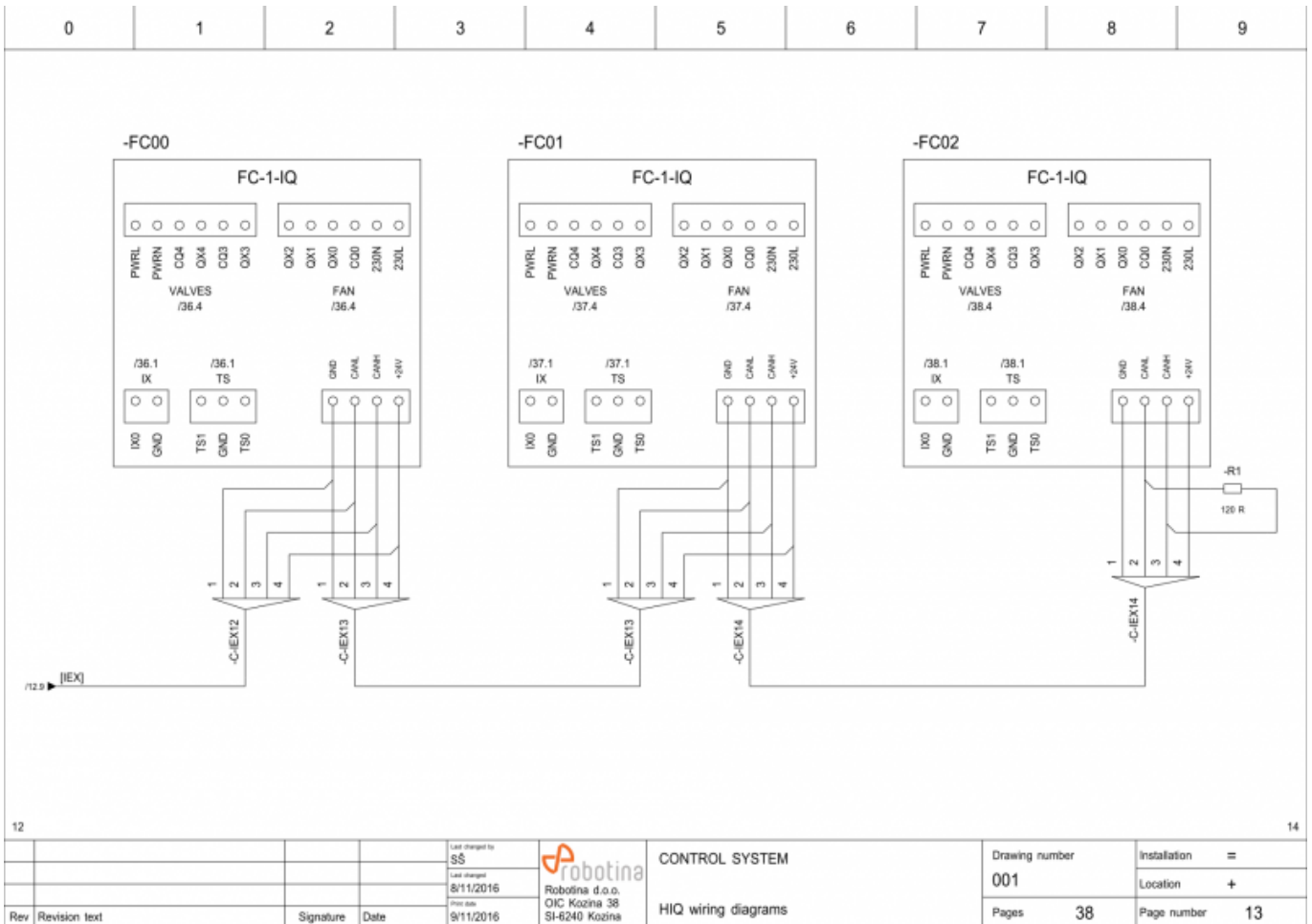


			Last changed by SS Last changed 8/11/2016 Drawn by 8/11/2016	Robotina d.o.o. OIC Kozina 38 SI-6240 Kozina	CONTROL SYSTEM	Drawing number 001	Installation = Location +
Rev	Revision text	Signature	Date		8/11/2016	HIQ wiring diagrams	Pages 38
11							

Page 13 - CS-Fan-coil

Up to 5 Fan-coil controllers (FC) can be connected to 1 HC. On our sample plan we have 3 FC, 2 thermostats are controlling radiator valves (page 36-38).

FC controllers are the last items on IEX bus. Longer IEX bus lines (over 100m) must be terminated with a 120ohm resistor between CANL and CANH (-R1).



Page 14 - CS-Blank page

Blank page for future extensions.

0 1 2 3 4 5 6 7 8 9

SPARE PAGE -
INTENTIONALLY LEFT BLANK

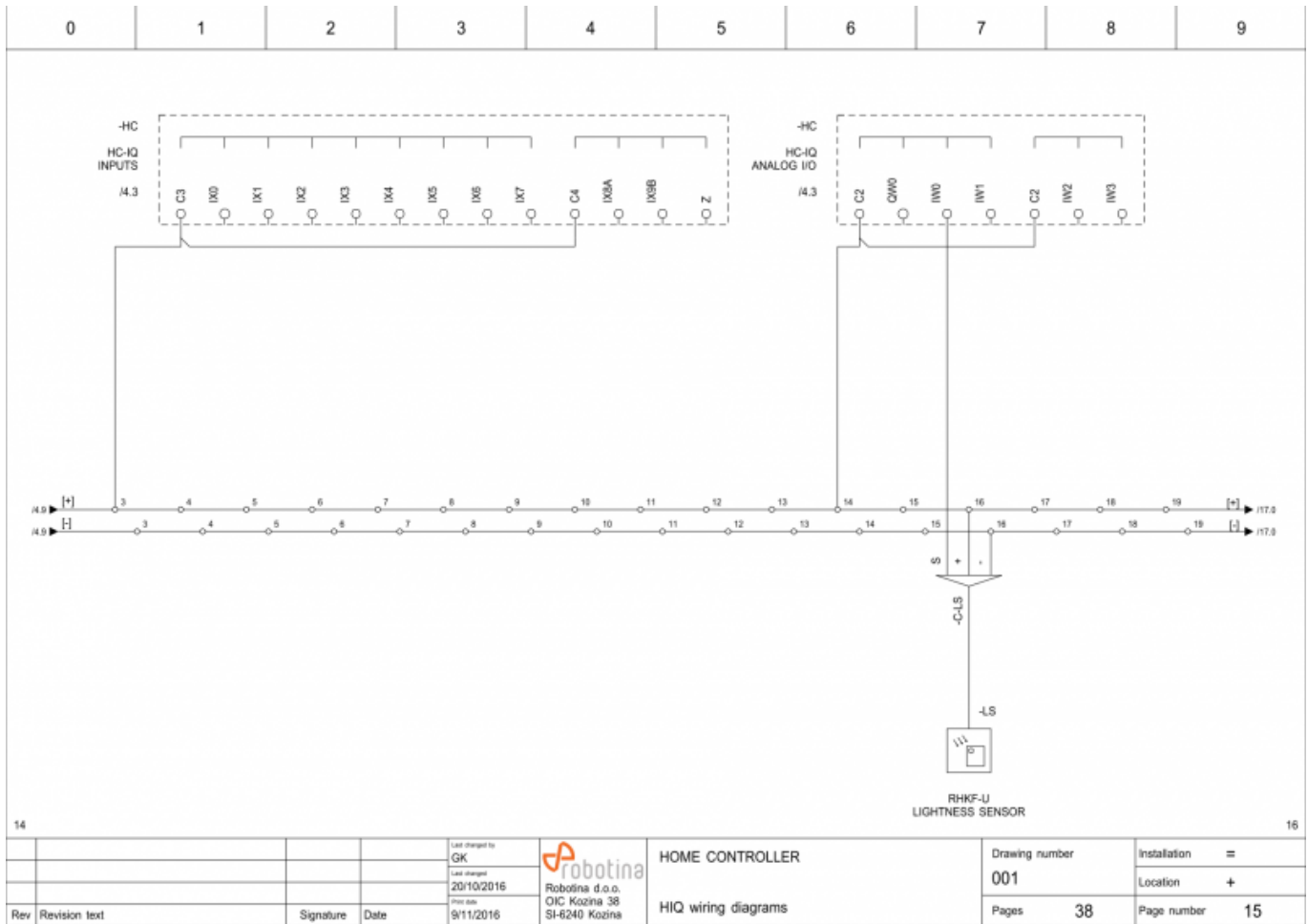
13

15

				<small>Last changed by</small> GK <small>Last changed</small> 19/8/2016 <small>Drawn by</small>  Robotina d.o.o. OIC Kozina 38 SI-6240 Kozina	CONTROL SYSTEM HIQ wiring diagrams	<small>Drawing number</small> 001 <small>Pages</small> 38	<small>Installation</small> = <small>Location</small> + <small>Page number</small> 14
<small>Rev</small>	<small>Revision text</small>	<small>Signature</small>	<small>Date</small>	9/11/2016			

Page 15 - Home controller inputs

If used, optional [lightness sensor](#) must be connected to IW0 analog input on [home controller](#).
 All other inputs are left for custom programming solutions (10 digital inputs IX0-IX7, IX8A, IX9B and 3 8-bit analog inputs IW1-IW3).



Page 16 - Home controller outputs

QX0-QX4 outputs - can be used for radiator valves or to control other heating/cooling devices. Internal relay is used for valves, other loads are recommended to use an additional 16A installation relay.

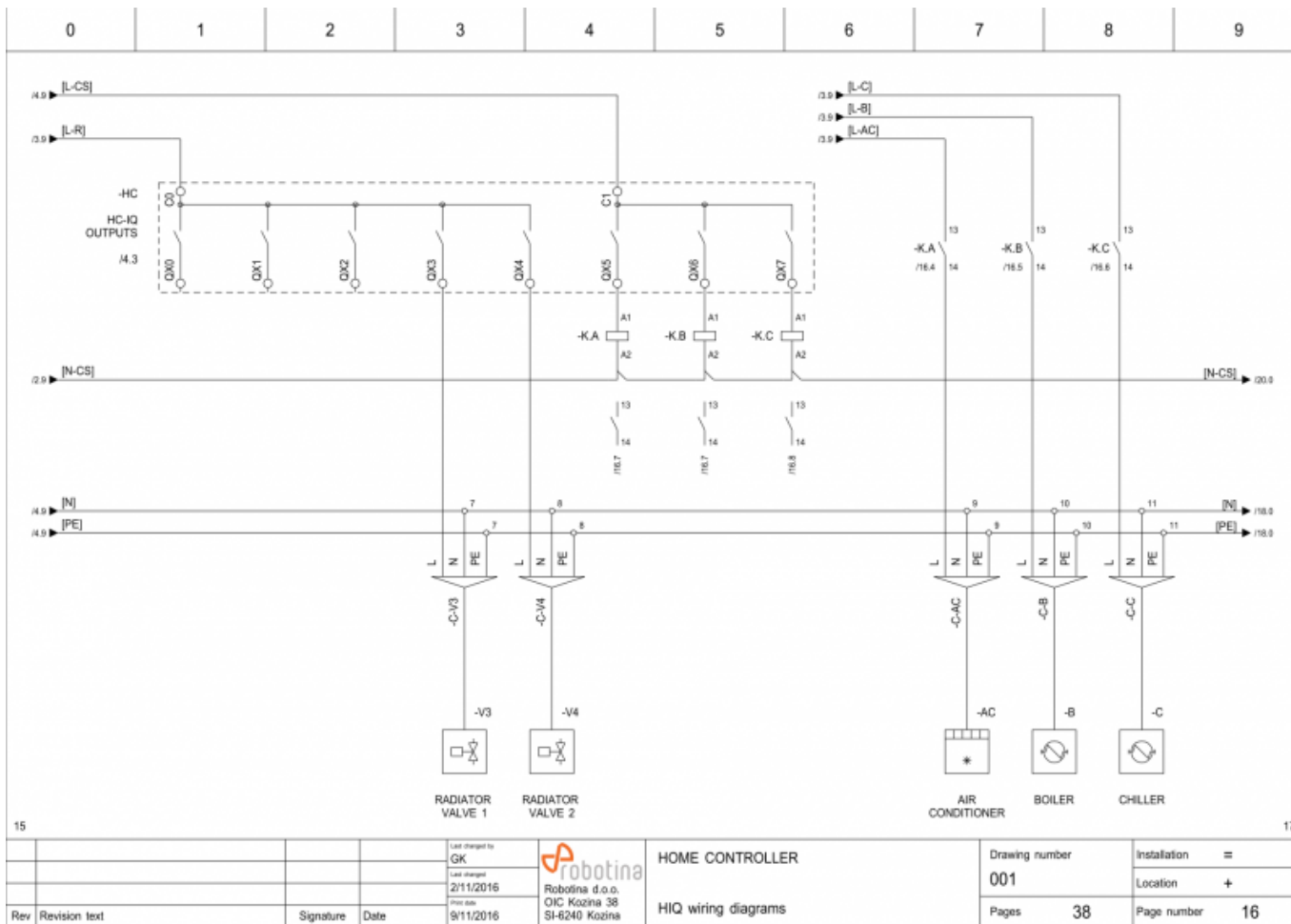
In our plan we use 2 radiator valves (and 3 [Fan-coil controllers](#)).

QX5 output - is used for Air Conditioner.

QX6 output - is used for Boiler.

QX7 output - is used for Chiller.

All three outputs are connected to external installation relays (-K.A, -K.B and -K.C) .

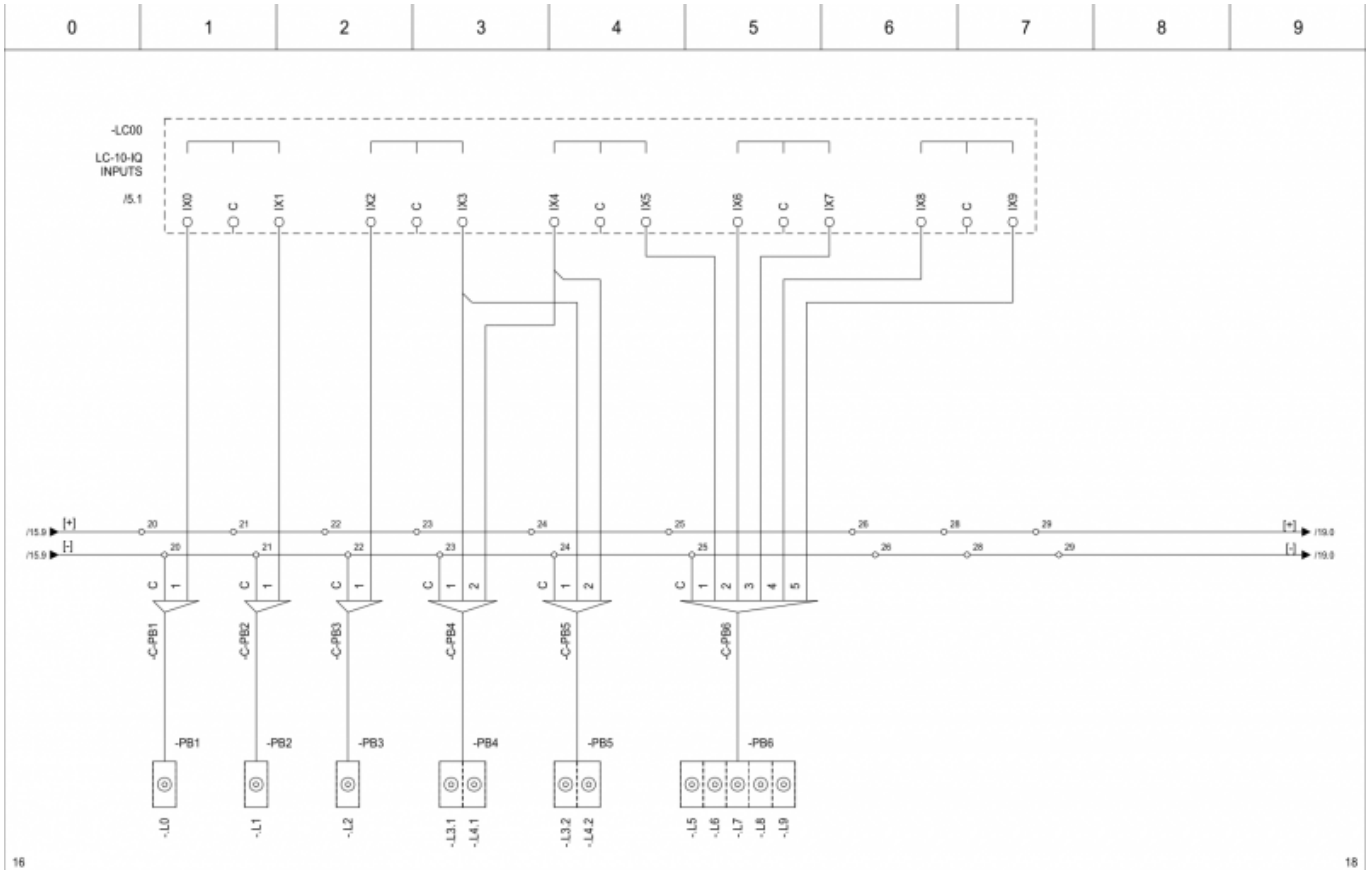


Page 17-24 - Light controller

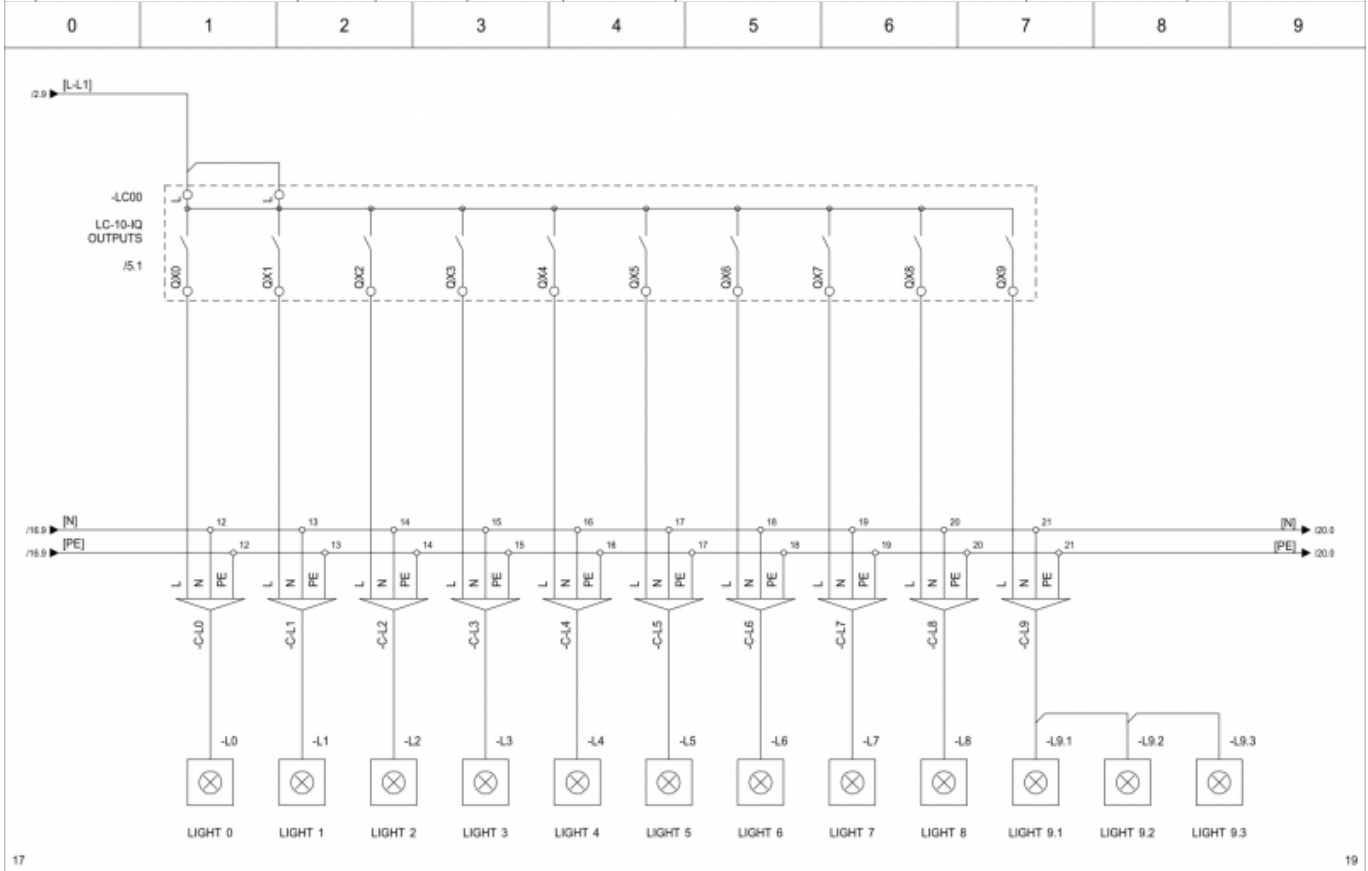
Lights and managed power sockets are connected to [Light controllers](#) .

Several button combinations are possible.

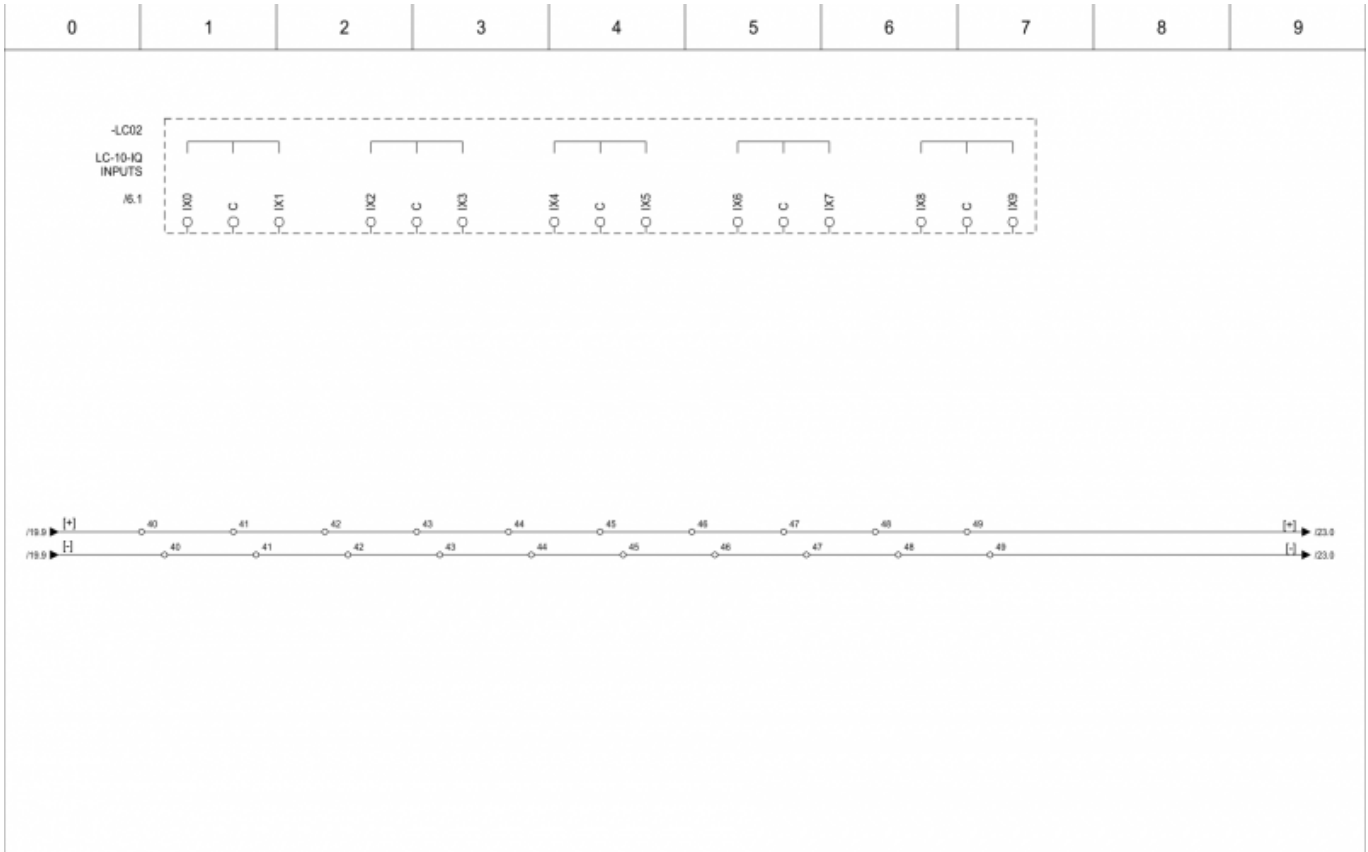
Managed power sockets should be connected through installation relays (-K12-K14, -K22-K23 and -K30-K33).



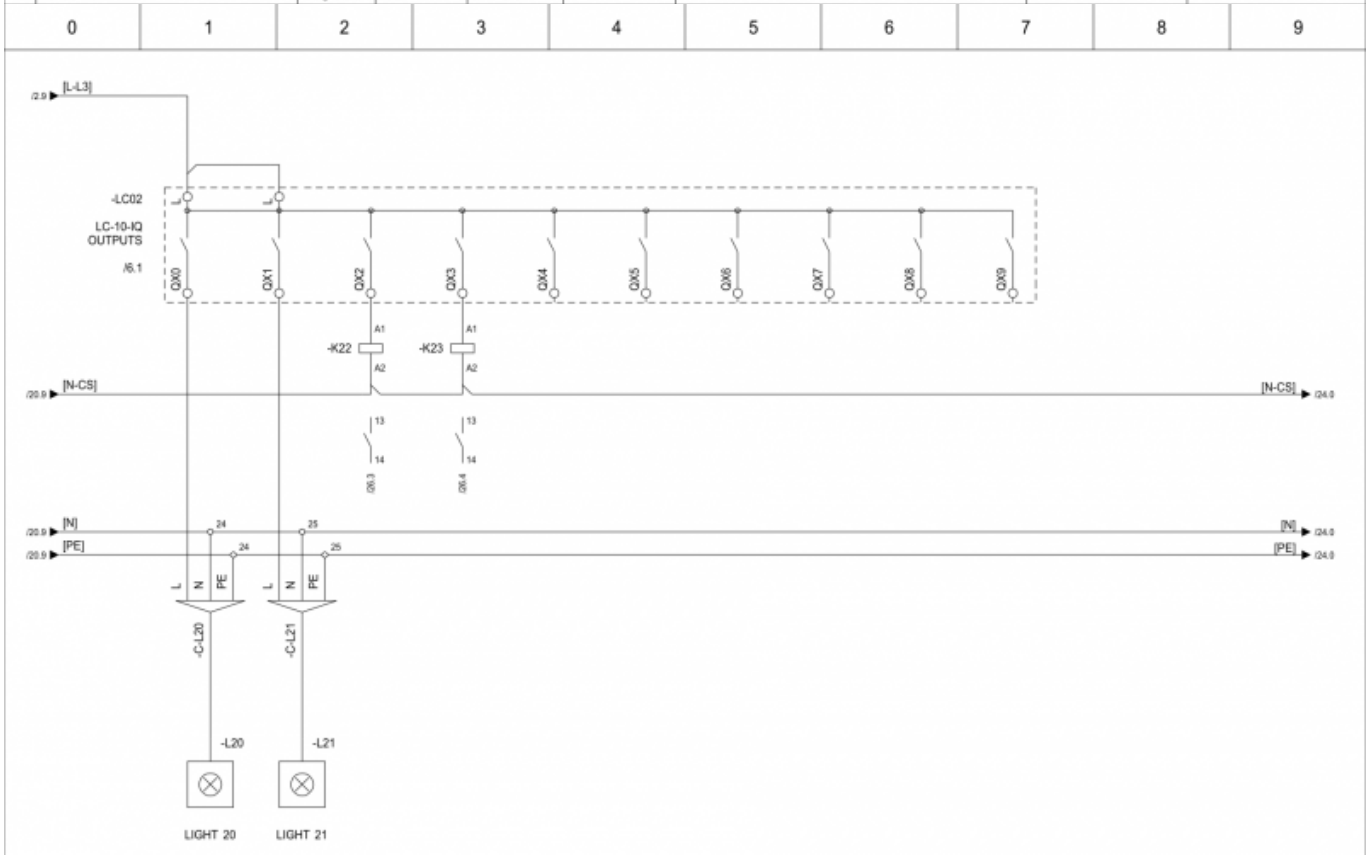
			Last changed by: GK Last changed: 20/10/2016 Print date: 9/11/2016		 Robotina d.o.o. OIC Kozina 38 SI-6240 Kozina	LIGHT CONTROLLER HIQ wiring diagrams		Drawing number: 001 Pages: 38		Installation: = Location: + Page number: 17		
Rev	Revision text	Signature	Date									



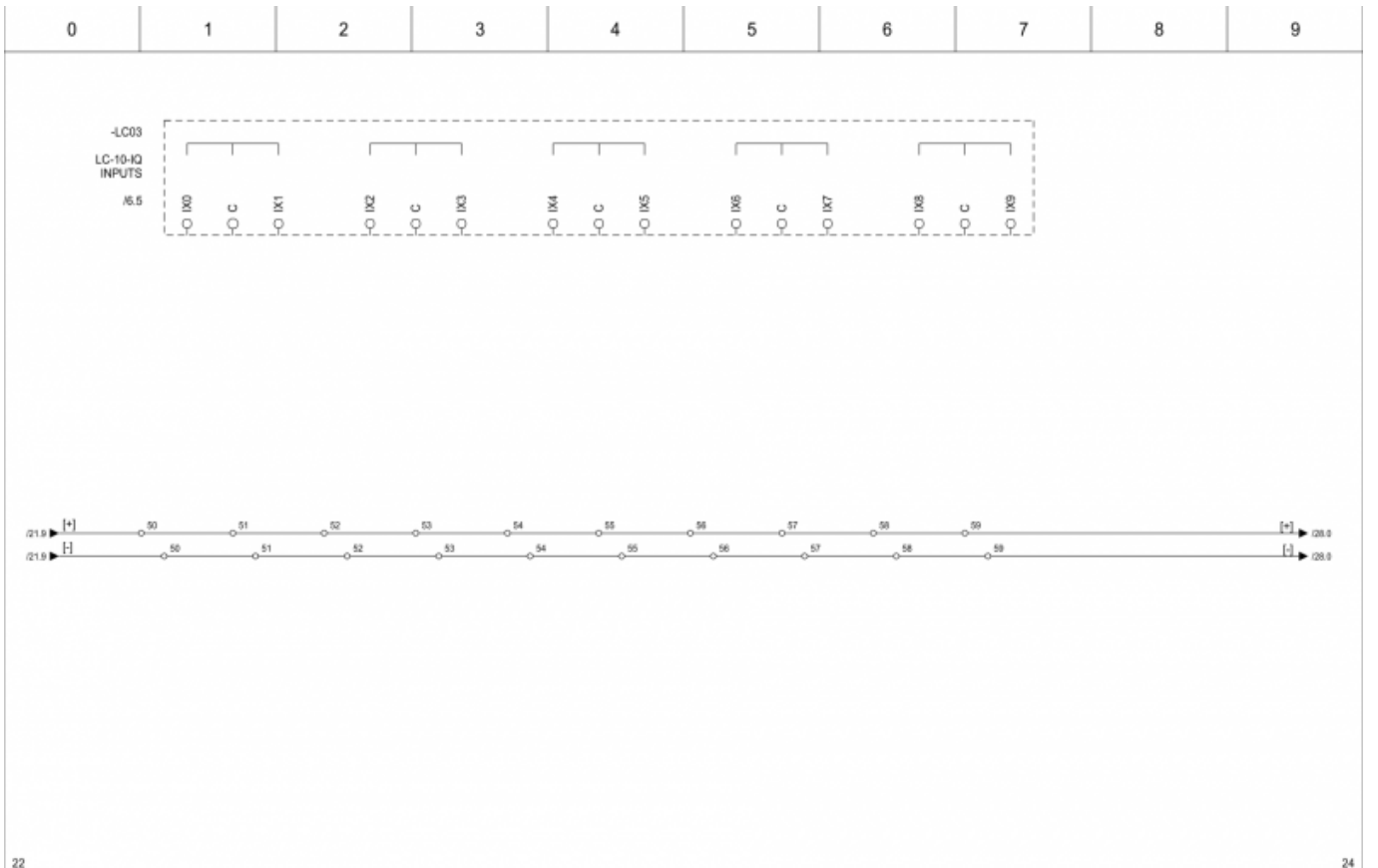
			Last changed by: SS Last changed: 8/11/2016 Print date: 9/11/2016		 Robotina d.o.o. OIC Kozina 38 SI-6240 Kozina	LIGHT CONTROLLER HIQ wiring diagrams		Drawing number: 001 Pages: 38		Installation: = Location: + Page number: 18		
Rev	Revision text	Signature	Date									



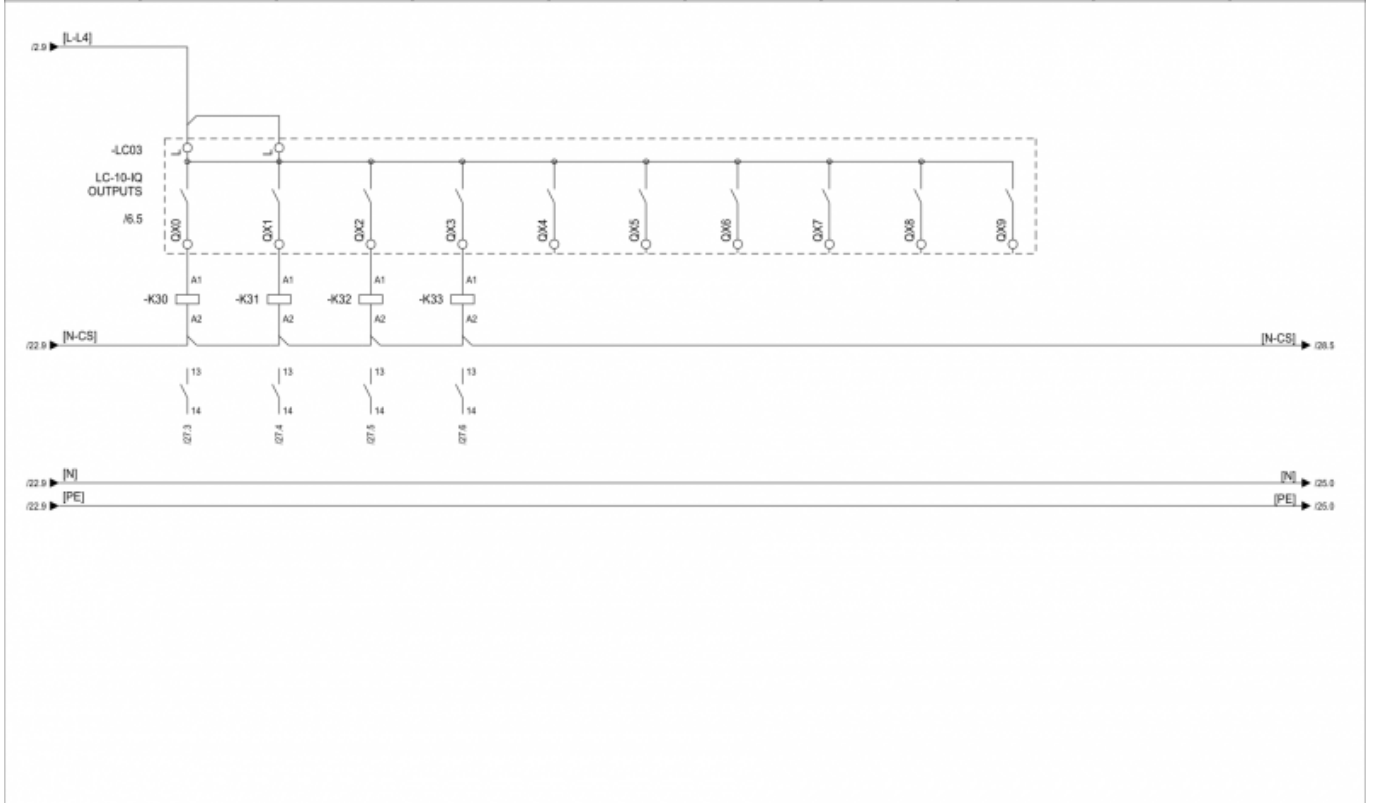
			Last changed by GK Last changed 20/10/2016 Print date 9/11/2016		Robotina d.o.o. OIC Kozina 38 SI-6240 Kozina	LIGHT CONTROLLER HIQ wiring diagrams		Drawing number 001		Installation = Location +	
Rev	Revision text	Signature	Date	9/11/2016		Pages	38	Page number	21		



			Last changed by GK Last changed 2/11/2016 Print date 9/11/2016		Robotina d.o.o. OIC Kozina 38 SI-6240 Kozina	LIGHT CONTROLLER HIQ wiring diagrams		Drawing number 001		Installation = Location +	
Rev	Revision text	Signature	Date	9/11/2016		Pages	38	Page number	22		



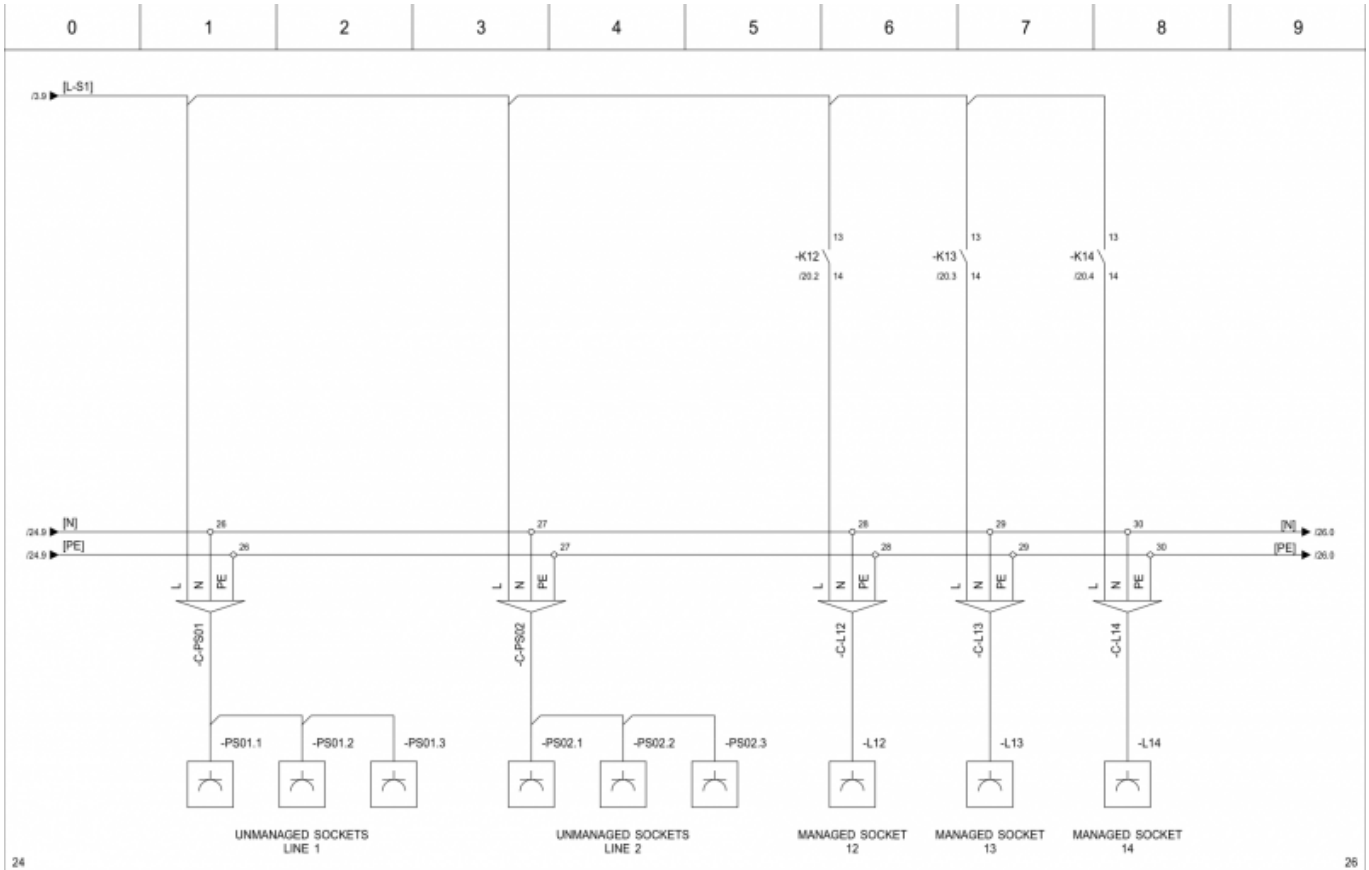
			Last changed by GK		 Robotina d.o.o. OIC Kozina 38 SI-6240 Kozina	LIGHT CONTROLLER		Drawing number 001		Installation =	
			Last changed 22/10/2016			HIQ wiring diagrams		Pages 38		Location +	
Rev	Revision text	Signature	Date	9/11/2016					Page number 23		
0	1	2	3	4	5	6	7	8	9		



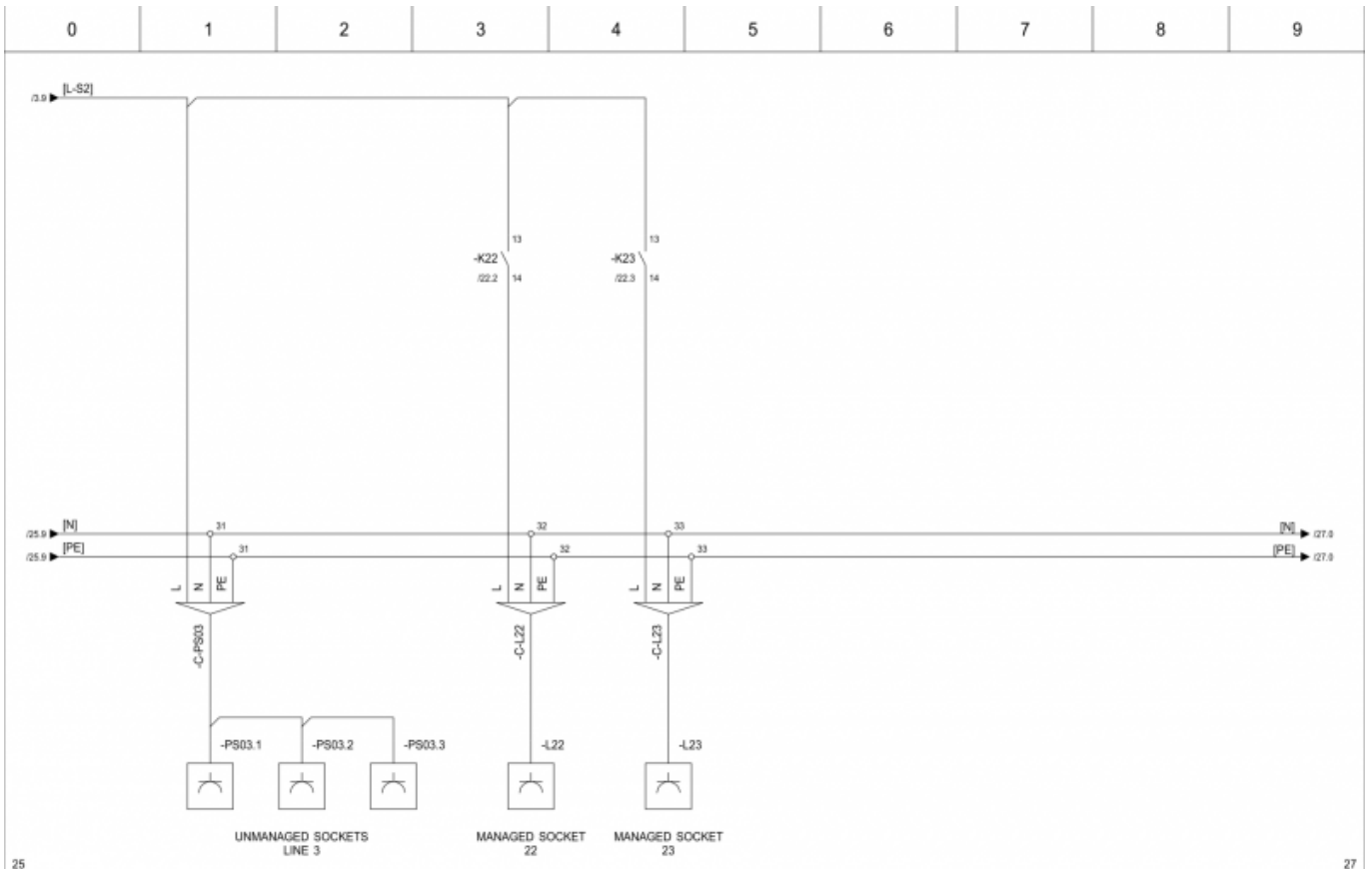
			Last changed by GK		 Robotina d.o.o. OIC Kozina 38 SI-6240 Kozina	LIGHT CONTROLLER		Drawing number 001		Installation =	
			Last changed 2/11/2016			HIQ wiring diagrams		Pages 38		Location +	
Rev	Revision text	Signature	Date	9/11/2016					Page number 24		
0	1	2	3	4	5	6	7	8	9		

Page 25-27 - Power sockets

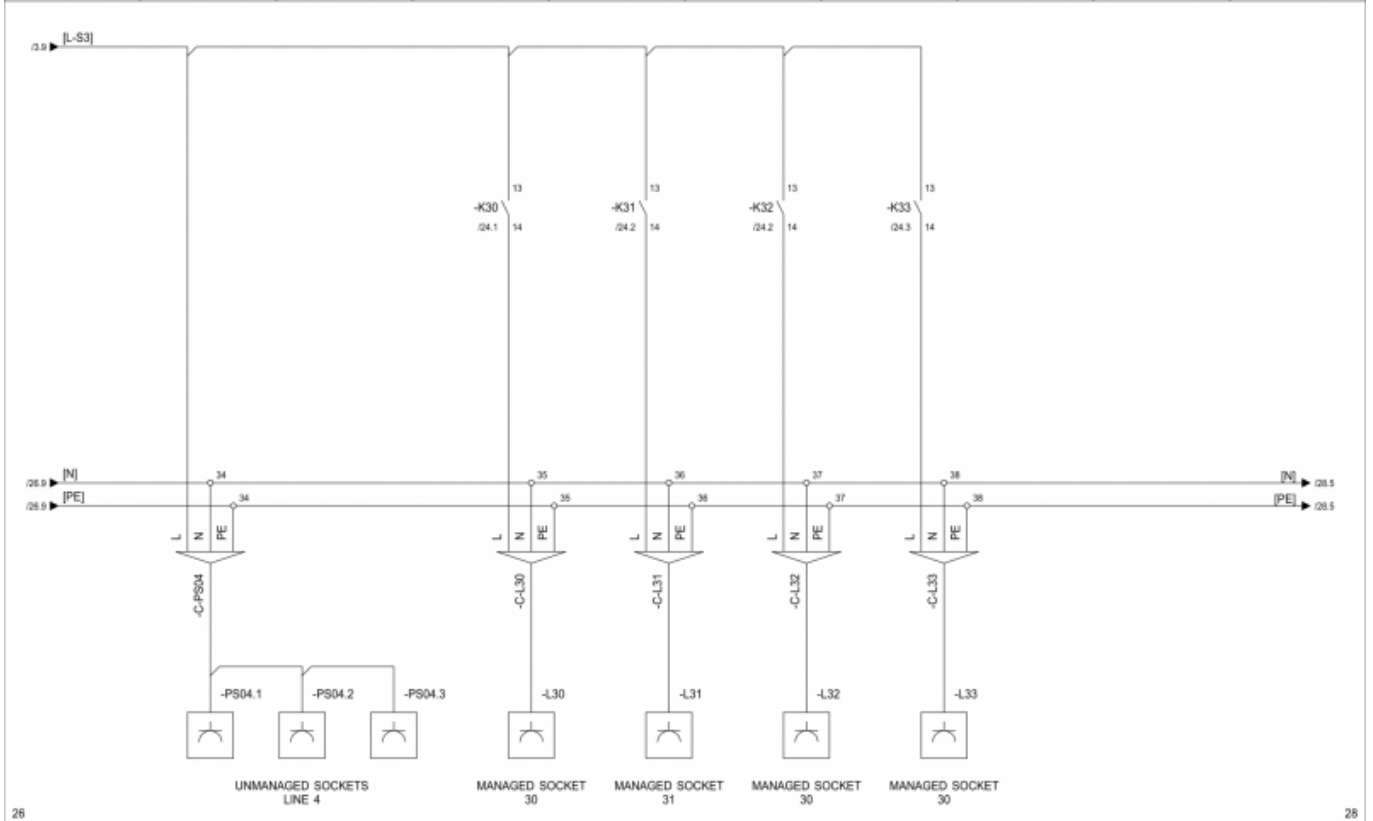
A sample plan assumes use of managed and unmanaged sockets. Managed sockets are connected to [Light controllers](#). External installation relays should be used on Light controller outputs.



24										26			
				Last changed by GK Last changed 2/11/2016 Prepared 9/11/2016		Robotina d.o.o. OIC Kozina 38 SI-6240 Kozina		POWER SOCKETS HIQ wiring diagrams		Drawing number 001 Pages 38		Installation = Location + Page number 25	
Rev	Revision text	Signature	Date										



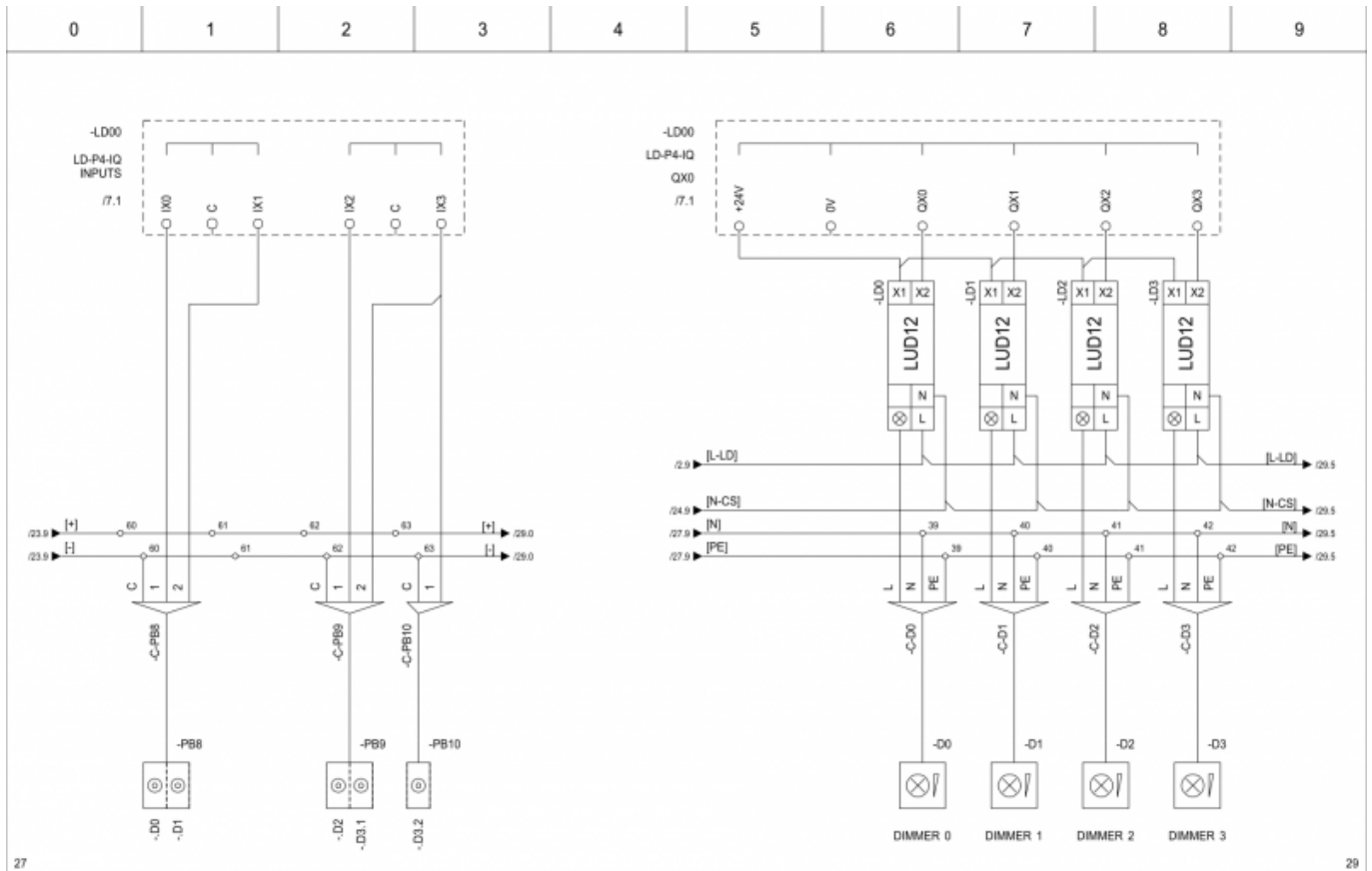
			Last changed by GK		 Robotina d.o.o. OIC Kozina 38 SI-6240 Kozina	POWER SOCKETS		Drawing number		Installation =		
			Last changed 2/11/2016			HIQ wiring diagrams		001		Location +		
Rev			Revision text		Signature		Date		Pages		Page number	
0			1		2		3		4		5	
6			7		8		9		38		26	



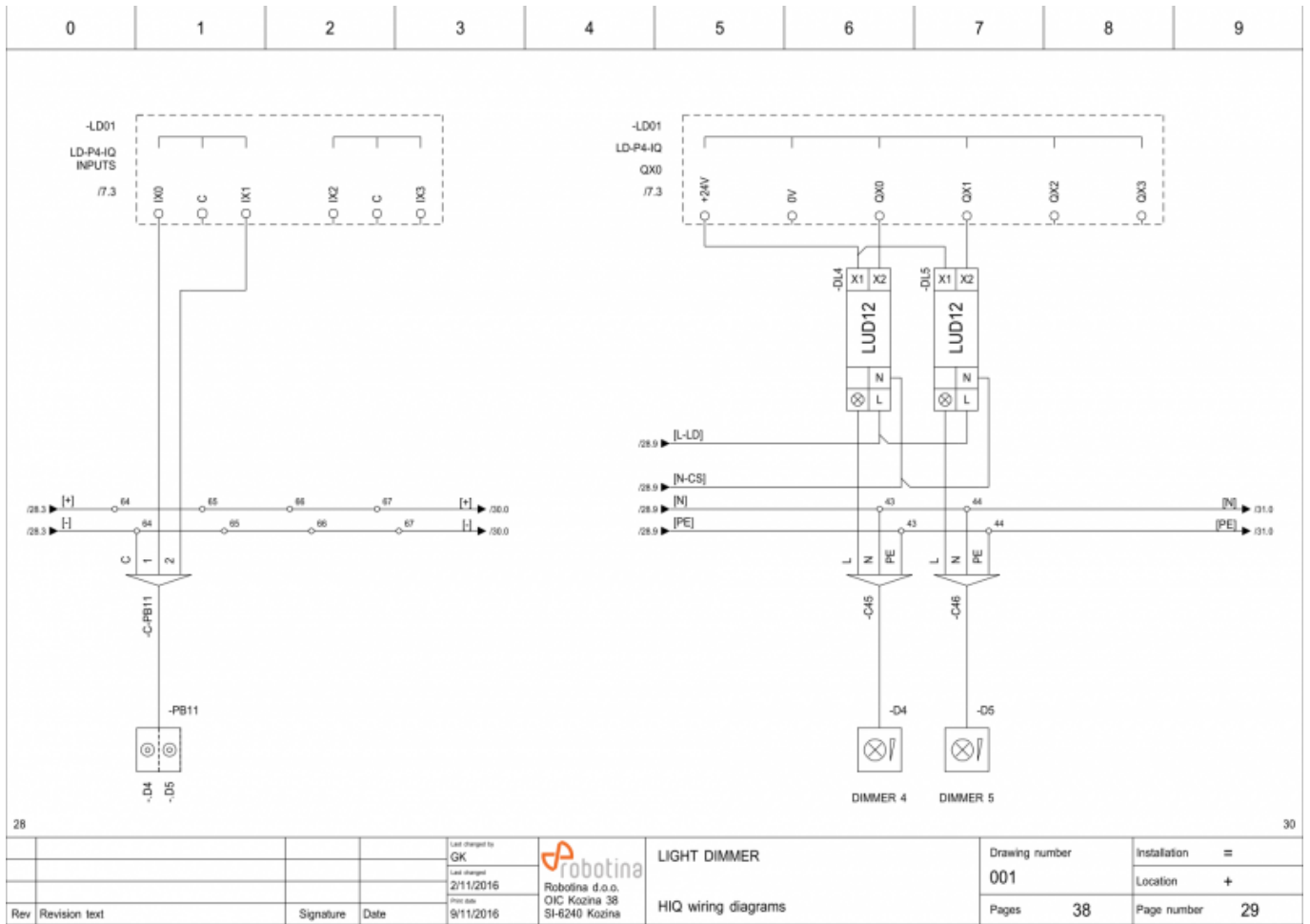
			Last changed by GK		 Robotina d.o.o. OIC Kozina 38 SI-6240 Kozina	POWER SOCKETS		Drawing number		Installation =		
			Last changed 2/11/2016			HIQ wiring diagrams		001		Location +		
Rev			Revision text		Signature		Date		Pages		Page number	
0			1		2		3		4		5	
6			7		8		9		38		27	

Page 28-29 - Light dimmers

On sample plan we use 2 Light dimmers drivers. On each driver we can connect up to 4 LUD-12 universal light dimmers.

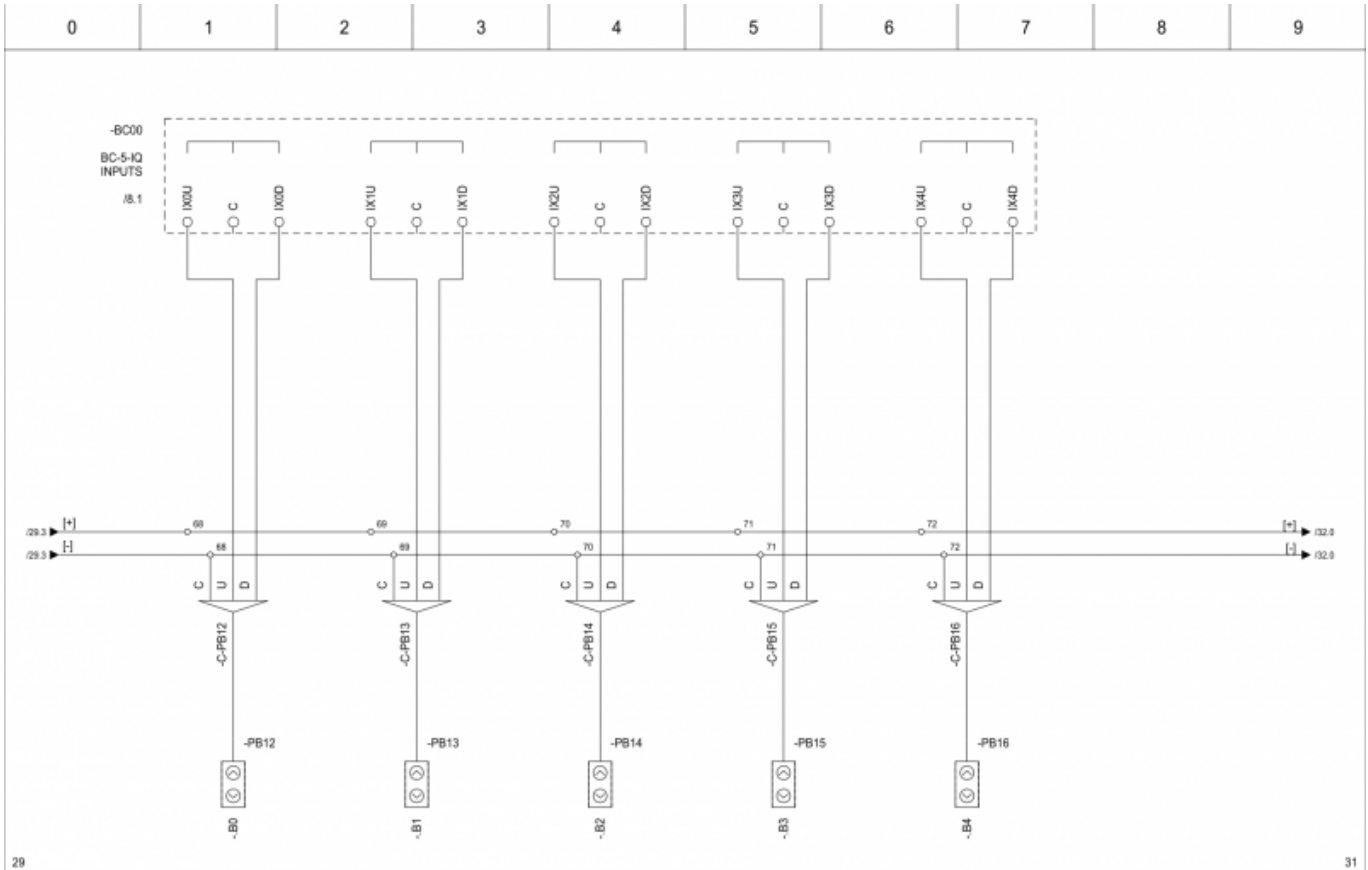


		List changed by GK		 Robotina d.o.o. OIC Kozina 38 SI-6240 Kozina	LIGHT DIMMER HIQ wiring diagrams	Drawing number 001		Installation =	
		List changed by 2/11/2016				Pages 38		Location +	
Rev		Revision text				Signature		Date	

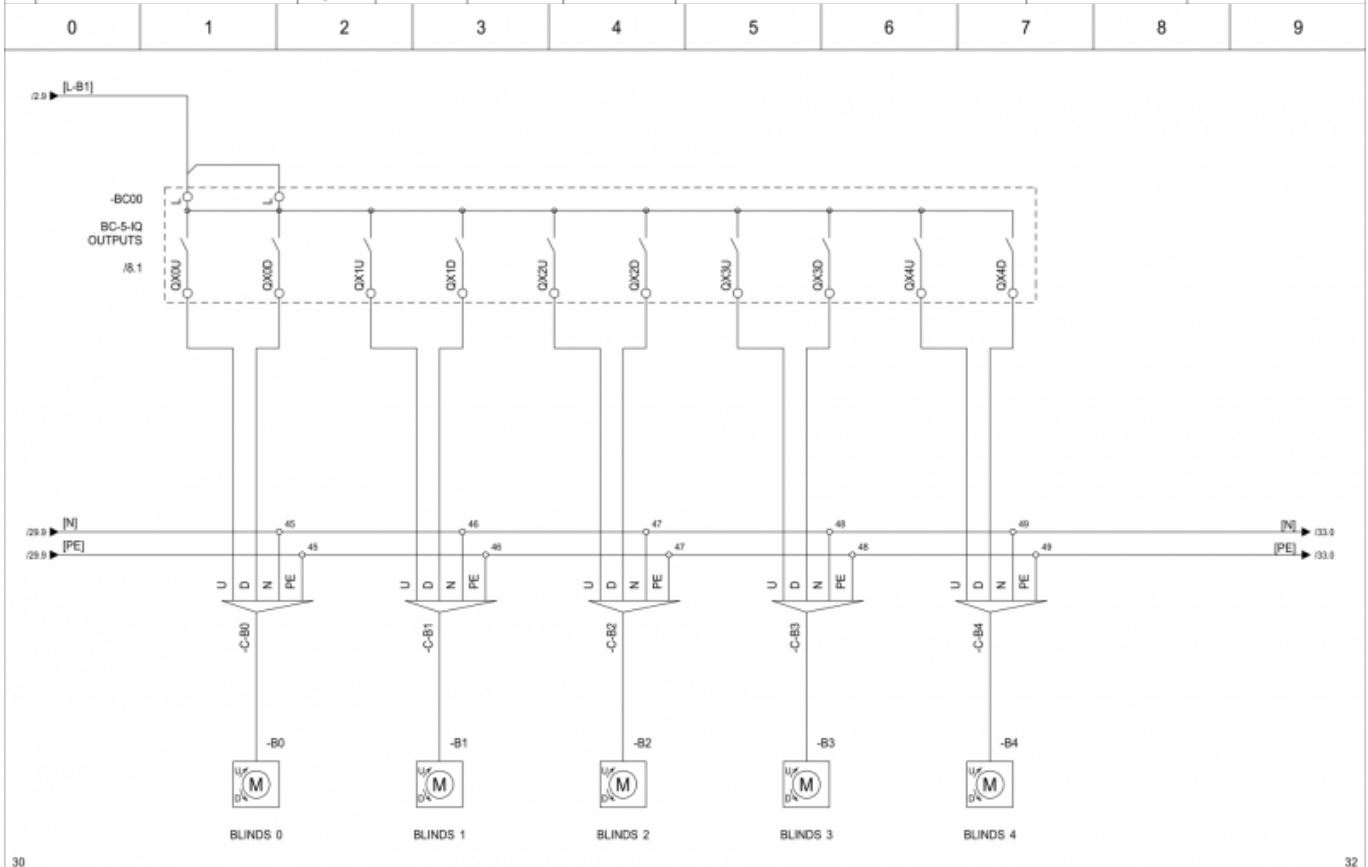


Page 30-33 - Blinds controllers

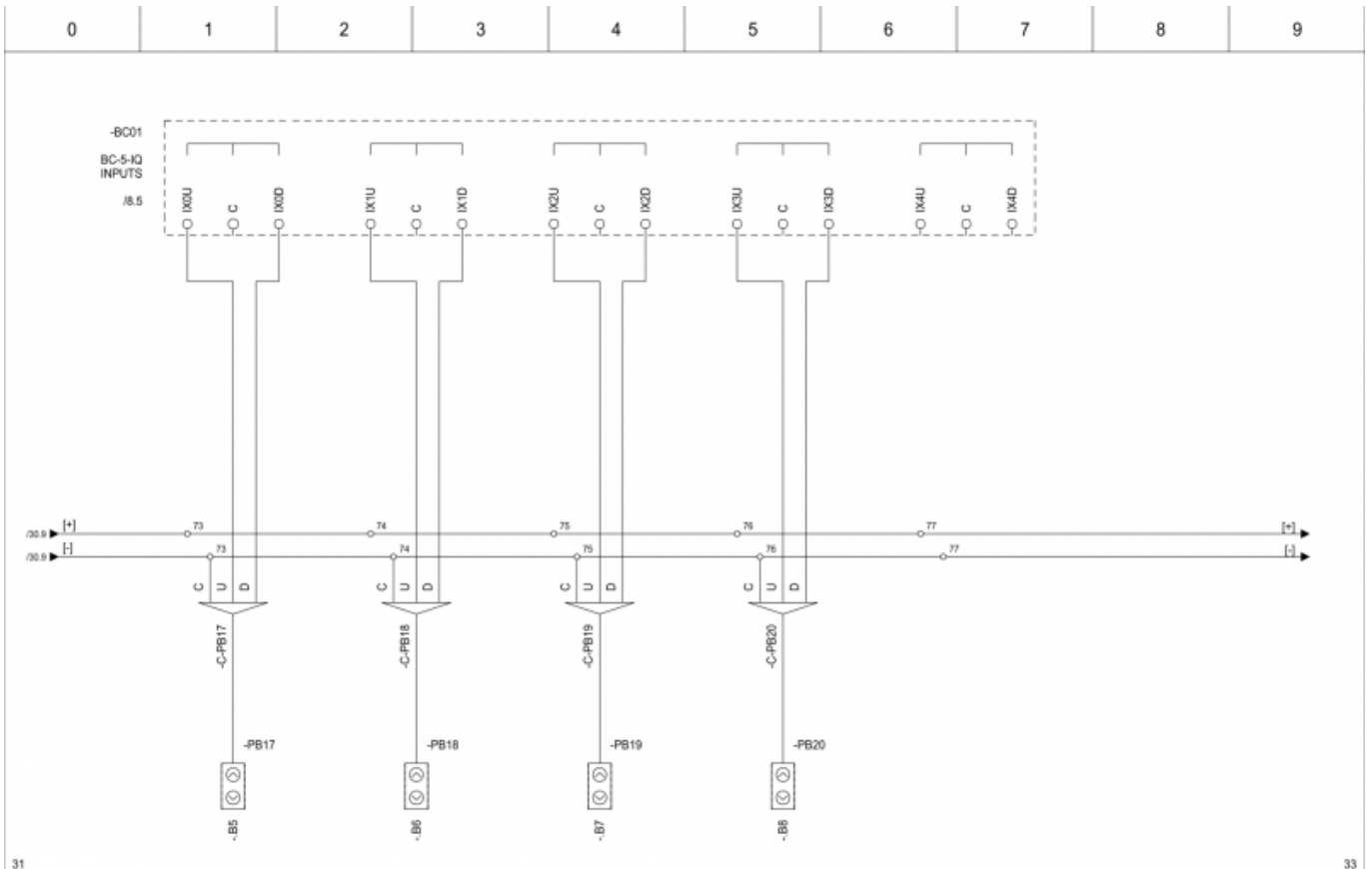
On our sample plan we have 2 [Blinds controllers \(BC\)](#) with 9 blinds and 9 double-push buttons.



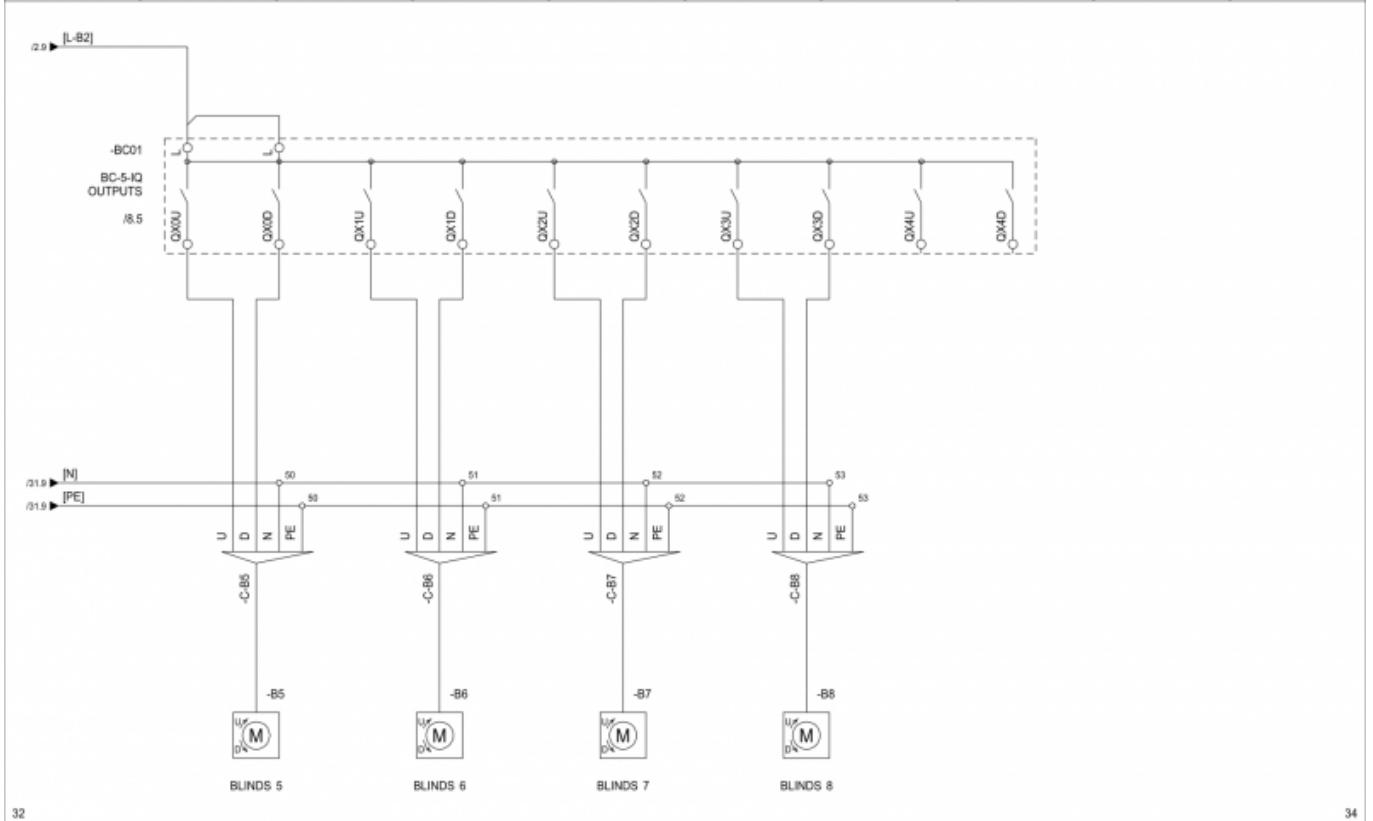
			Last changed by: GK Last changed: 20/10/2016 Print date: 9/11/2016		Robotina d.o.o. OIC Kozina 38 SI-6240 Kozina	BLINDS CONTROLLER HIQ wiring diagrams		Drawing number: 001 Pages: 38		Installation: = Location: + Page number: 30	
Rev	Revision text	Signature	Date								



			Last changed by: GK Last changed: 2/11/2016 Print date: 9/11/2016		Robotina d.o.o. OIC Kozina 38 SI-6240 Kozina	BLINDS CONTROLLER HIQ wiring diagrams		Drawing number: 001 Pages: 38		Installation: = Location: + Page number: 31	
Rev	Revision text	Signature	Date								



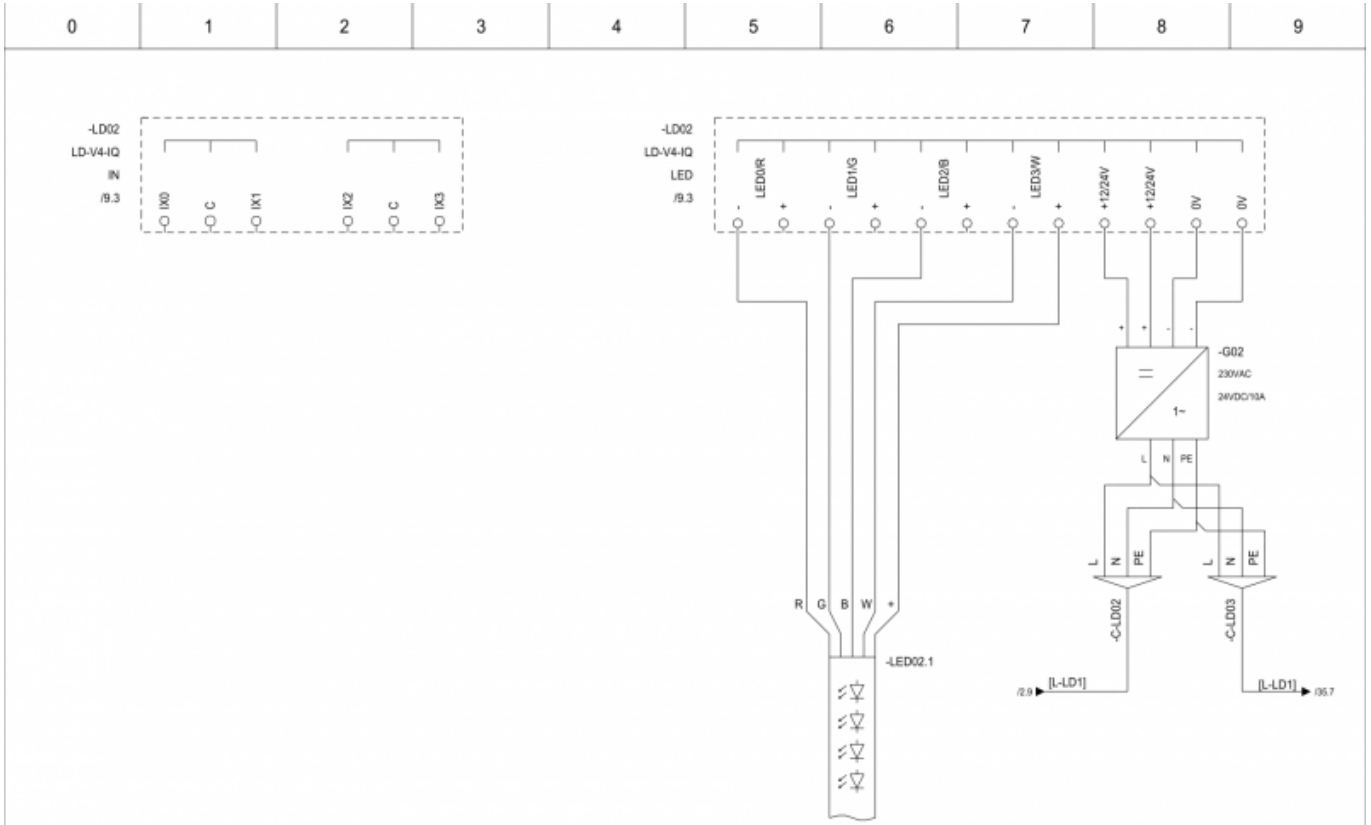
			Last changed by: GK Last changed: 20/10/2016 Drawn by: S/11/2016		Robotina d.o.o. OIC Kozina 38 SI-6240 Kozina	BLINDS CONTROLLER HIQ wiring diagrams		Drawing number: 001 Pages: 38		Installation: = Location: + Page number: 32	
Rev	Revision text	Signature	Date								



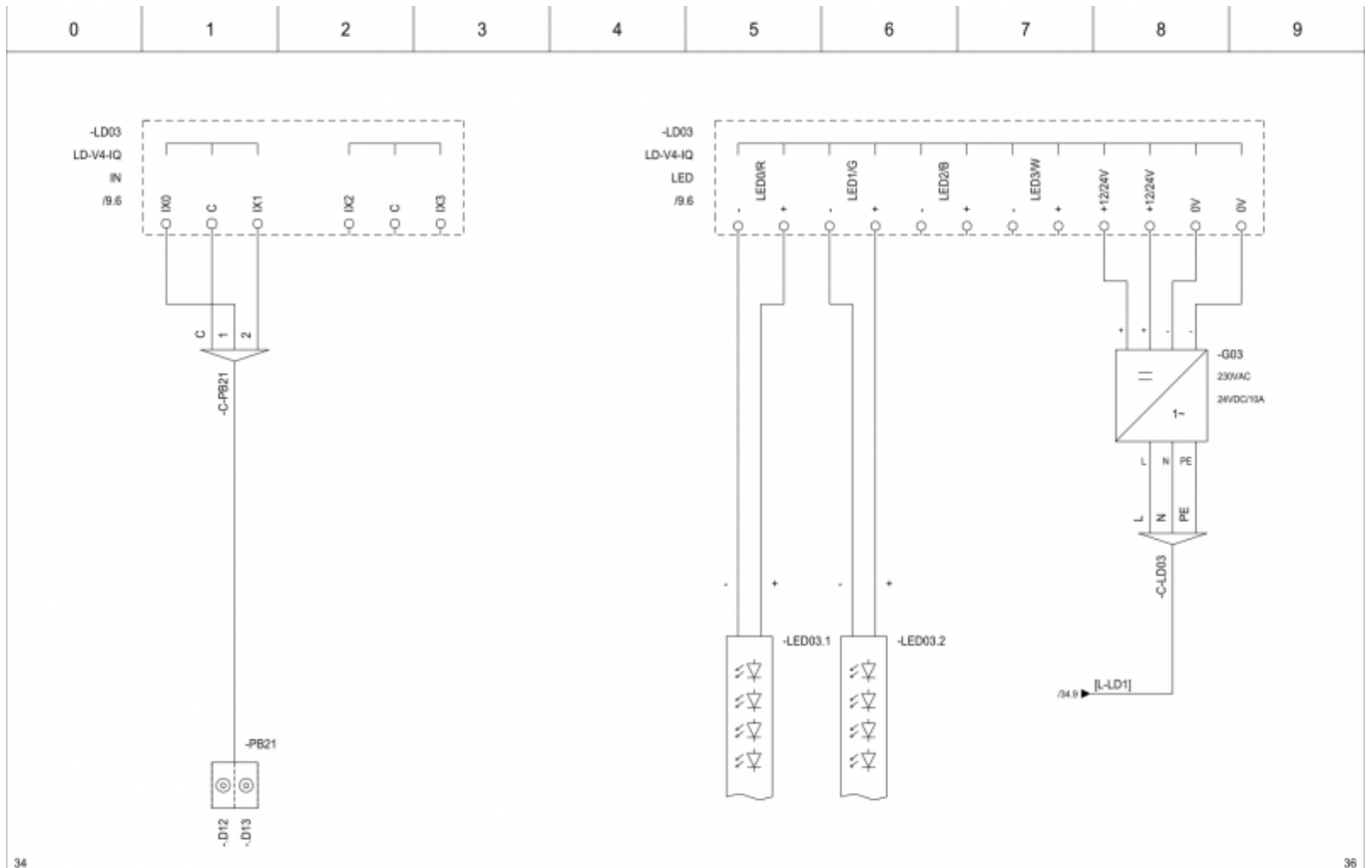
			Last changed by: GK Last changed: 2/11/2016 Drawn by: S/11/2016		Robotina d.o.o. OIC Kozina 38 SI-6240 Kozina	BLINDS CONTROLLER HIQ wiring diagrams		Drawing number: 001 Pages: 38		Installation: = Location: + Page number: 33	
Rev	Revision text	Signature	Date								

Page 34-35 - LED stripe dimmer

On sample plan we use 2 LED stripe dimmers. RGBW (red-green-blue-white) LED stripe is connected on the first dimmer and the second dimmer controls 2 white LED stripes (2 outputs are empty). 2 push buttons are connected on the second dimmer.



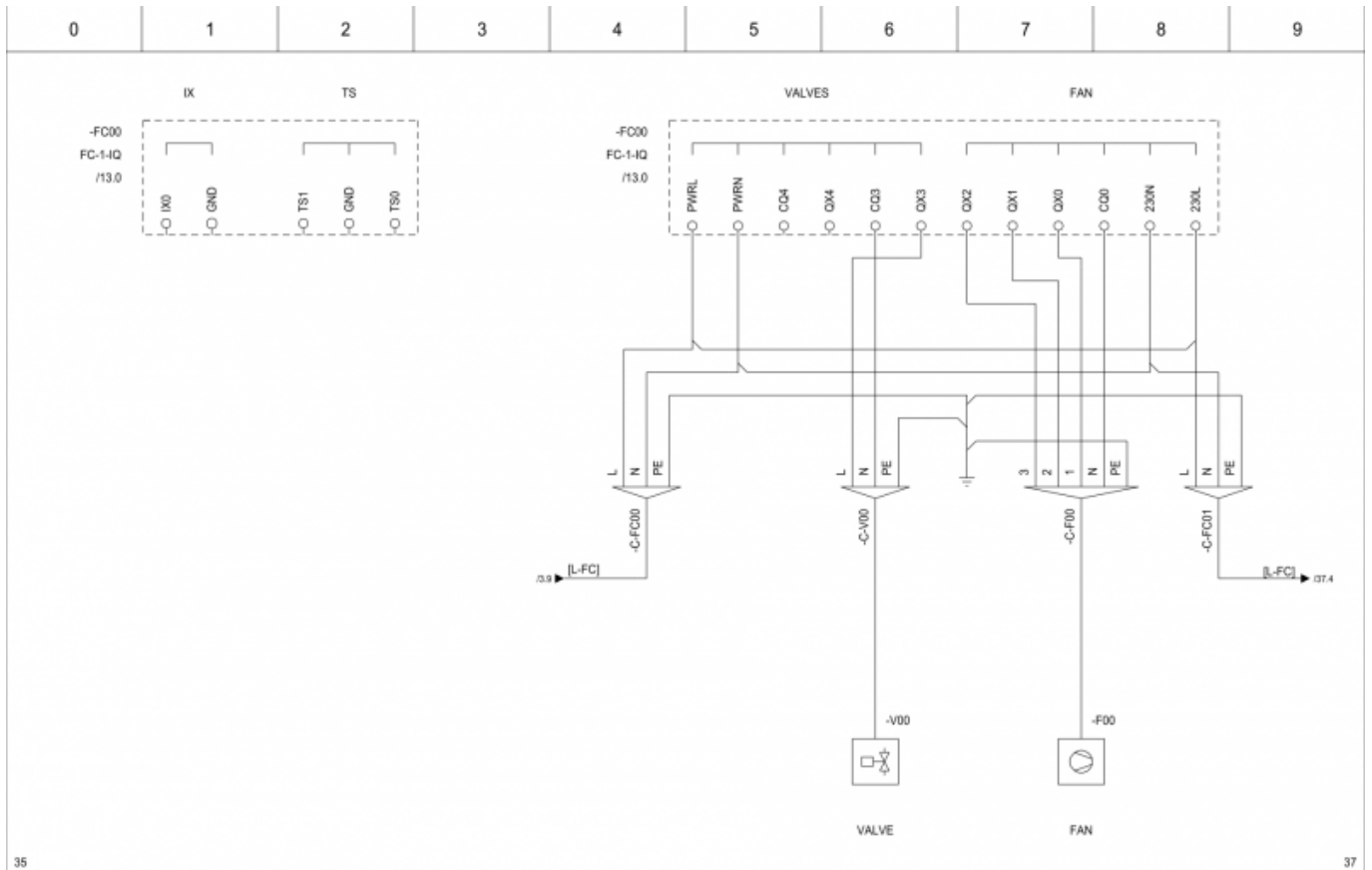
			Last changed by SS Last changed 9/11/2016 Print date 9/11/2016	 Robotina d.o.o. OIC Kozina 38 SI-6240 Kozina	LIGHT DIMMER HIQ wiring diagrams	Drawing number 001	Installation =
Rev Revision text	Signature	Date	Pages 38			Location +	Page number 34



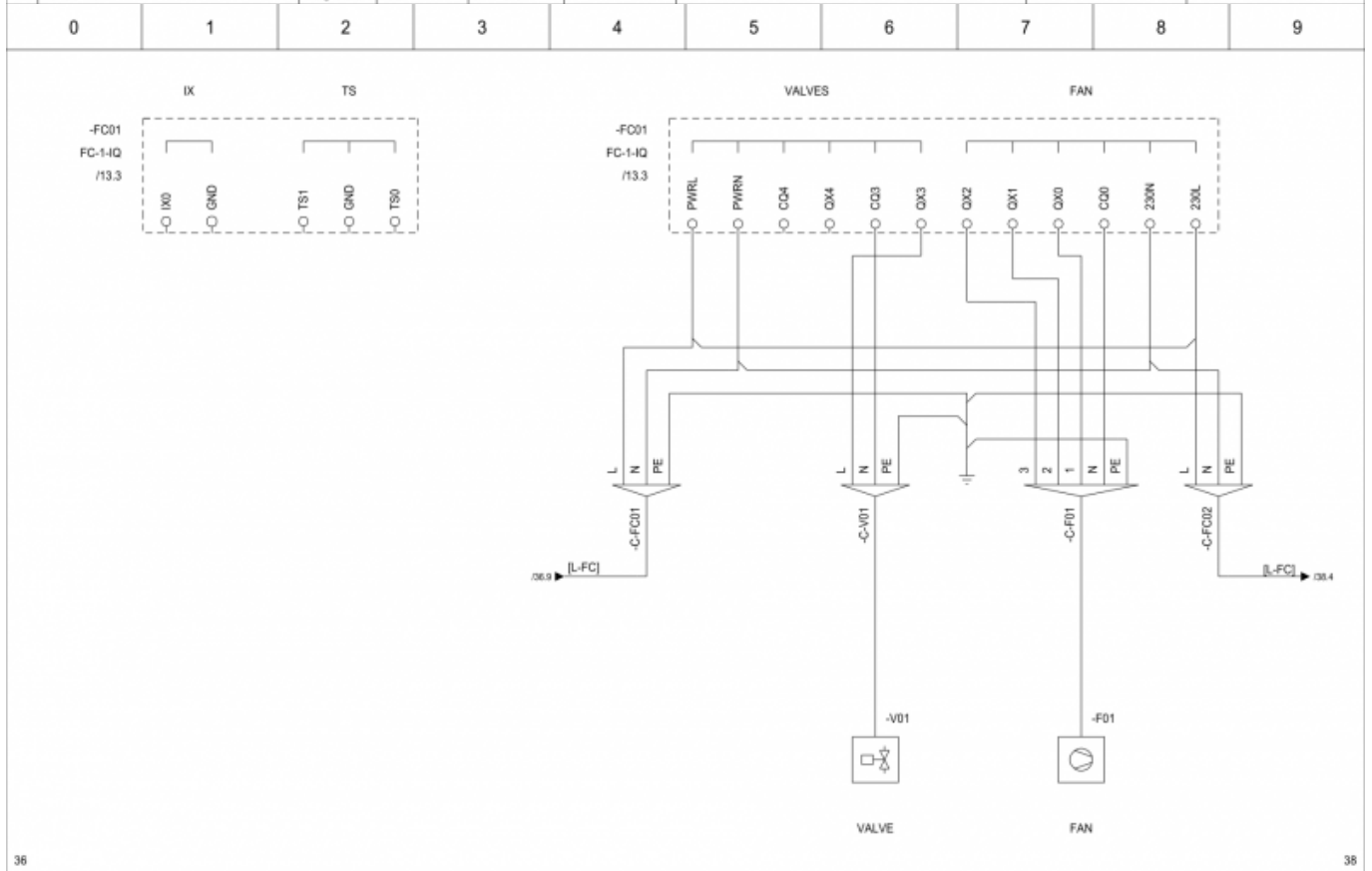
			Let changed to SS	 Robotina d.o.o. OIC Kozina 38 SI-6240 Kozina	LIGHT DIMMER HIQ wiring diagrams	Drawing number 001	Installation =
Rev	Revision text	Signature	Date			9/11/2016	Pages 38

Page 36-38 - Fan-coil

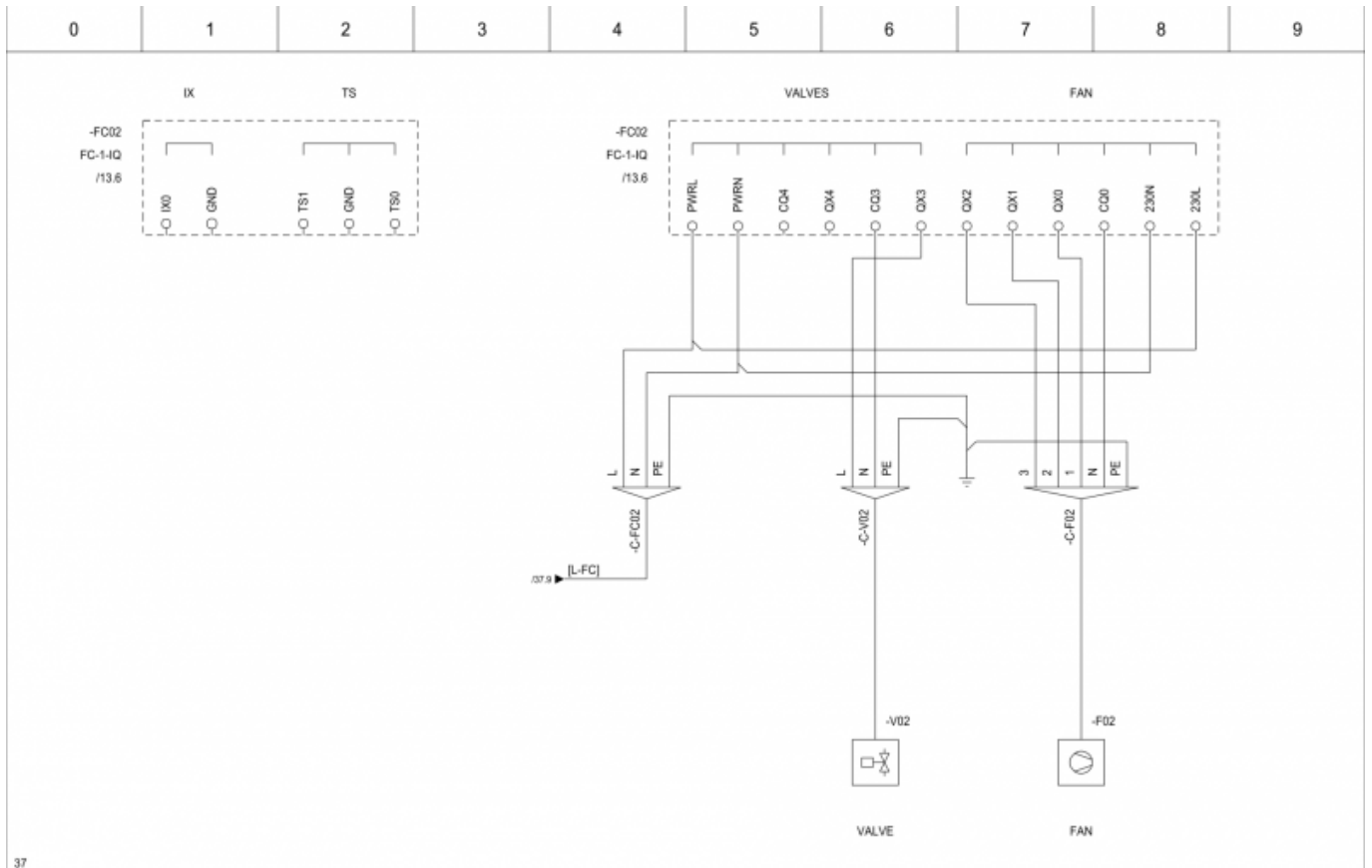
Fan-coil connection.



			Last changed by SS Last changed 9/11/2016 9/11/2016 9/11/2016		Robotina d.o.o. OIC Kozina 38 SI-6240 Kozina	FAN-COIL HIQ wiring diagrams	Drawing number 001		Installation =	
Rev Revision text Signature Date							Pages 38		Location + Page number 36	



			Last changed by SS Last changed 9/11/2016 9/11/2016 9/11/2016		Robotina d.o.o. OIC Kozina 38 SI-6240 Kozina	FAN-COIL HIQ wiring diagrams	Drawing number 001		Installation =	
Rev Revision text Signature Date							Pages 38		Location + Page number 37	



			Last changed by GK Last changed 2/11/2016 Drawn 9/11/2016	 Robotina d.o.o. OIC Kozina 38 SI-6240 Kozina	FAN-COIL HIQ wiring diagrams	Drawing number 001 Pages 38	Installation = Location + Page number 38
Rev	Revision text	Signature	Date				

From:
<https://wiki.hiq-universe.com/> -

Permanent link:
https://wiki.hiq-universe.com/doku.php?id=en:hiq_home:methods:design&rev=1538745084

Last update: **2018/10/05 13:11**

