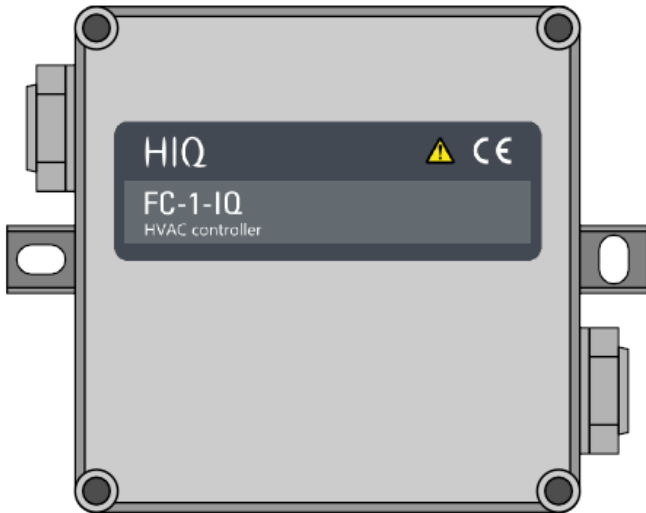


HVAC controller

relay outputs for 3 speed fan and valves



Model number:	FC-1-IQ
Mounting:	in-field, inside fan-coil, junction box or dry-wall
Dimensions:	108×86×45.5mm

Applications

- fan-coil control
- 3 speed ceiling fans
- radiator
- floor heating

Features

- simple configuration
- flexible: for various types of convectors and valves
- fallback mode: ensure operation even when bus is broken

Safety standards

EN 50081-1, EN 61000-6-2, EN 60730-1, EN 60730-2-1

General description

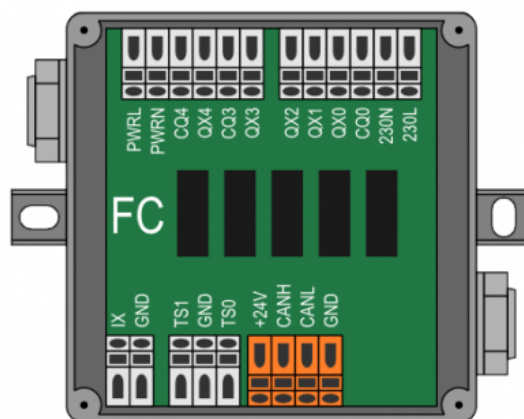
FC-1-IQ is main actuator for TH units. It can drive fully featured fan-coils for wide range of convectors with electromechanical valves and 3 speed fan motor. It can be used for controlling practically any heating/cooling system including: hot-water radiator valve, ceiling fan, ceiling/floor heating valve, electrical radiator power relay and AC's.

Technical specification

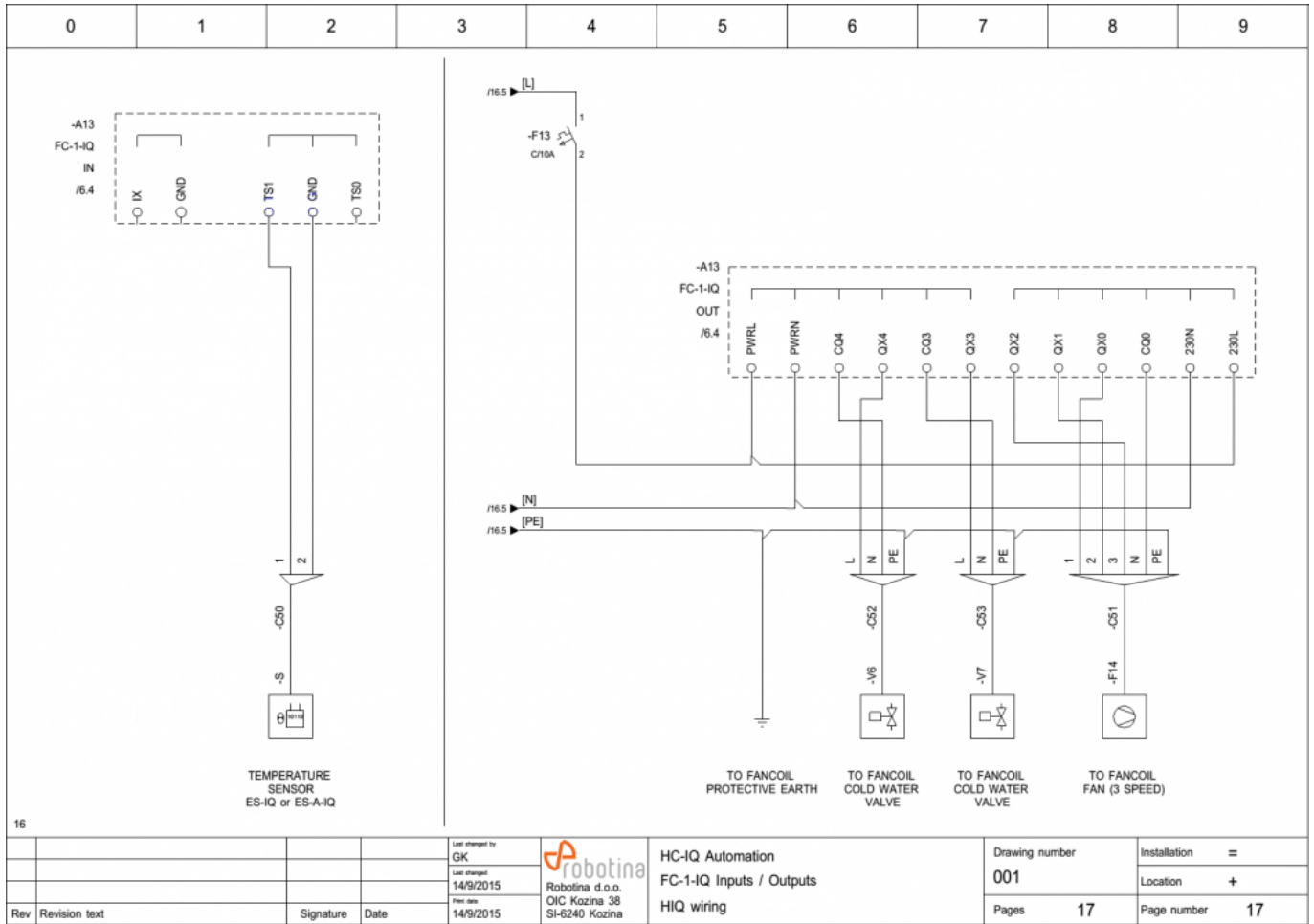
Relay outputs:	3A/250V
Temperature measurement	external sensor ES or ES-A
Power supply:	24V/45mA
Operating temperature:	0..45°C
Storage temperature:	-20..75°C
Relative humidity:	0..95% n/c

Terminals

Valves power supply - Live	PWRL	QX3 & QX4 common
Valves power supply - Neutral	PWRN	CQ3 & CQ4 common
Cold water valve - Neutral	CQ4	Neutral output (directly connected to PWRN)
Cold water valve - Live	QX4	Relay output
Hot water valve - Neutral	CQ3	Neutral output (directly connected to PWRN)
Hot water valve - Live	QX3	Relay output
Fan - 3rd speed	QX2	Relay output
Fan - 2nd speed	QX1	Relay output
Fan - 1st speed	QX0	Relay output
Fan - Neutral	CQ0	Neutral output (directly connected to PWRN)
Fan power supply - Live	230N	CQ0 common
Fan power supply - Neutral	230L	QX0 - QX2 common
Not used	IX	Digital input
Not used	GND	Digital input common
External temperature sensor 2 input	TS1	Temperature sensor ES / ES-A input
External temperature sensor GND (common)	GND	Temperature sensors common
External temperature sensor 1 input	TS0	Temperature sensor ES / ES-A input
IEX2 bus	GND	IEX2 bus
	CANL	
	CANH	
	+24V	



When installing: “Autoaddress” button will link FC-1-IQ unit with lowest serial number with thermostat with lowest serial number and so on.



From:
<http://wiki.hiq-universe.com/> -

Permanent link:
http://wiki.hiq-universe.com/doku.php?id=en:hiq_hw:fc-1-iq&rev=1563950355

Last update: 2019/07/24 06:39

