

# IOT Linker 2 Ethernet Port

**Advanced EDGE device. Connects Cybro and MC to HIQ universe**



Order code without Power Supply:	<b>IOT-L2-2</b>
Order code with AC Power Supply 230VAC/5VDC:	<b>IOT-L2-2-AC</b>
Order code with DC Power Supply 24VDC/5VDC:	<b>IOT-L2-2-DC</b>
License for specific IOT linker software:	<b>IOT-C2-xx; xx-version of the software</b>
USB wireless modem for IOT linker:	<b>IOT-L2-W</b>
Mounting:	DIN rail, (Optional wall)
Dimensions:	60 x 61 x 26 mm
Connection:	LAN Port: connects to Cybro or MC Controller, WAN Port: uplink to HIQ Universe

- Robust and safe connection of HIQ and 4S systems to HIQ Universe cloud platform.
- Secure access and communication (TLS encryption)
- Local data buffer, no data loss
- User data safety according to GDPR
- Secure remote access to HIQ MC controllers

## Technical specifications

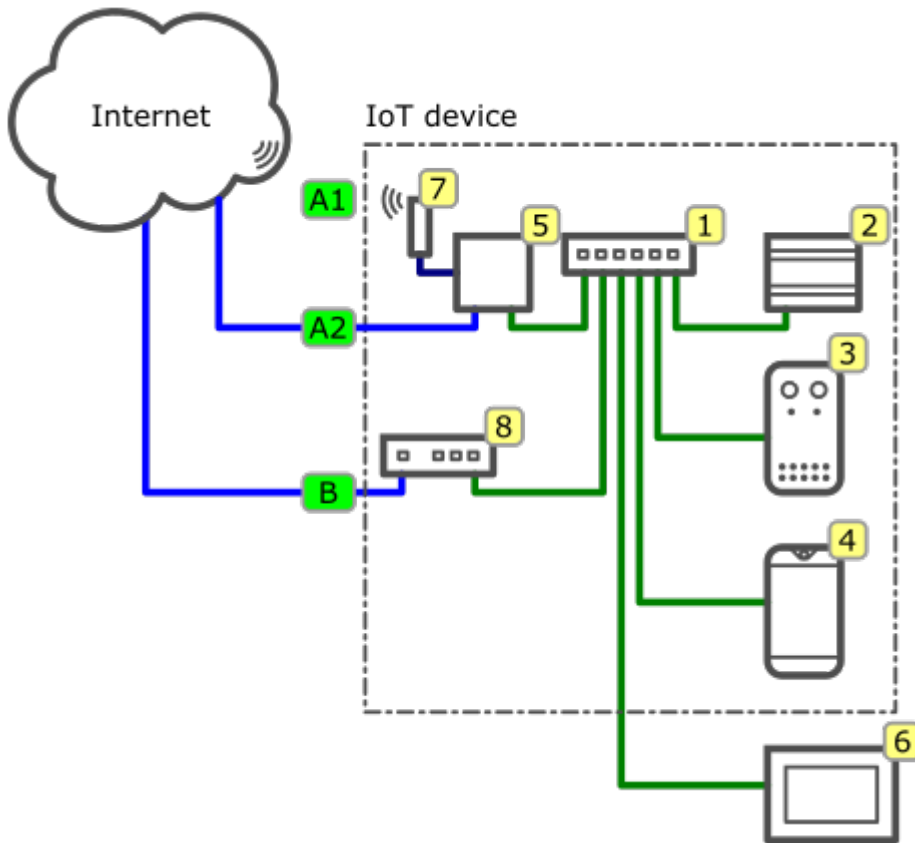
Power supply:	USB-C, 5V DC
Storage:	MicroSD x1 for external storage up to 128GB
USB Host:	1x 2.0 Type-A
Network:	2x 10/100/1000M Ethernet
Working temp.:	0°C to 40°C
4G connection :	USB
Software :	IOT linker system software is sold separately on MicroSD card

## Mounting

### DIN Rail, Optional Wall



## IoT Linker LAN



ID	Description
A1	4G (LTE) internet access
A2	ETHERNET internet access; Linker as a router
B	ETHERNET internet access; Additional router

ID	Description	LAN settings
1	LAN (PoE) switch	-
2	Main Controller (MC)	IP: 192.168.10.11
3	TOF sensor (IoT device 1)	IP: 192.168.10.20
4	Tempetature and mask sensor (IoT device 2)	IP: 192.168.10.21
5	Linker	IP (A): 192.168.10.10 / (B): 192.168.10.12
6	GUI display	IP: DHCP
7	USB 4G LTE modem	-
8	Additional router	IP: (B) 192.168.10.10

General LAN settings	
Subnet Mask	255.255.255.0
Gateway	192.168.10.10
DNS 1	8.8.8.8
DNS 2	8.8.4.4

Router settings	
DHCP Server	Enabled 192.168.10.100 - 192.168.10.150
NAT	
Ext. port	Int. IP:port
:8443	192.168.10.20:80
:8444	192.168.10.21:80

From:

<https://wiki.hiq-universe.com/> -

Permanent link:

[https://wiki.hiq-universe.com/doku.php?id=en:hiq\\_hw:iot\\_linker&rev=1653036621](https://wiki.hiq-universe.com/doku.php?id=en:hiq_hw:iot_linker&rev=1653036621)

Last update: **2022/05/20 08:50**

