

IOT Linker 2 Ethernet Port

Advanced EDGE device. Connects Cybro and MC to HIQ universe



| | |
|--|---|
| Order code without Power Supply: | IOT-L2-2 |
| Order code with AC Power Supply 230VAC/5VDC: | IOT-L2-2-AC |
| Order code with DC Power Supply 24VDC/5VDC: | IOT-L2-2-DC |
| License for specific IOT linker software: | IOT-C2-xx; xx-version of the software |
| USB wireless modem for IOT linker: | IOT-L2-W |
| Mounting: | DIN rail, (Optional wall) |
| Dimensions: | 60 x 61 x 26 mm |
| Connection: | LAN Port: connects to Cybro or MC Controller, WAN Port: uplink to HIQ Universe |

- Robust and safe connection of HIQ and 4S systems to HIQ Universe cloud platform.
- Secure access and communication (TLS encryption)
- Local data buffer, no data loss
- User data safety according to GDPR
- Secure remote access to HIQ MC controllers

Technical specifications

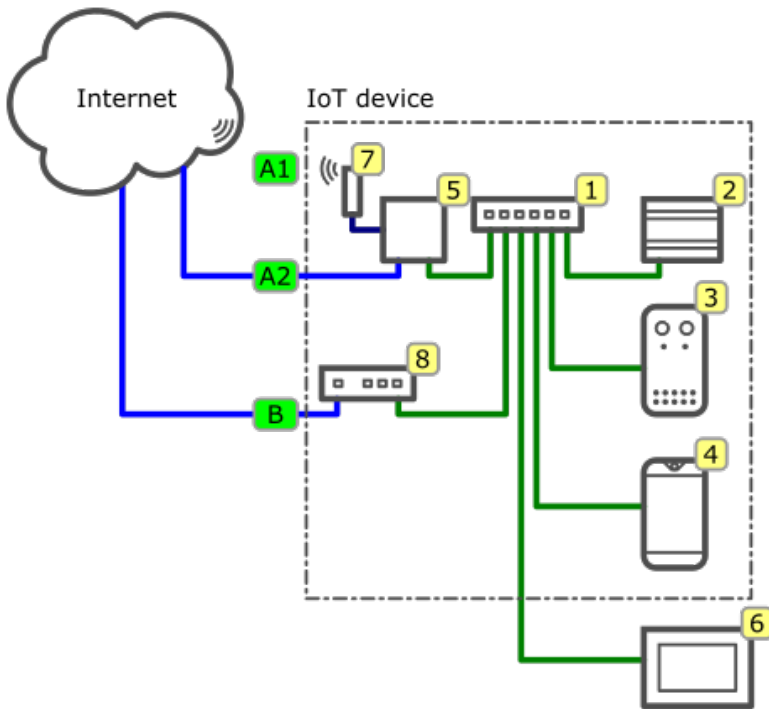
| | |
|-----------------|---|
| Power supply: | USB-C, 5V DC |
| Storage: | MicroSD x1 for external storage up to 128GB |
| USB Host: | 1x 2.0 Type-A |
| Network: | 2x 10/100/1000M Ethernet |
| Working temp.: | 0°C to 40°C |
| 4G connection : | USB |
| Software : | IOT linker system software is sold separately on MicroSD card |

Mounting

DIN Rail, Optional Wall



IoT Linker LAN



| ID | Description |
|----|--|
| A1 | 4G (LTE) internet access |
| A2 | ETHERNET internet access; Linker as a router |
| B | ETHERNET internet access; Additional router |

| ID | Description | LAN settings |
|----|--|--|
| 1 | LAN (PoE) switch | - |
| 2 | Main Controller (MC) | IP: 192.168.10.11 |
| 3 | TOF sensor (IoT device 1) | IP: 192.168.10.20 |
| 4 | Tempetature and mask sensor (IoT device 2) | IP: 192.168.10.21 |
| 5 | Linker | IP (A): 192.168.10.10 / (B): 192.168.10.12 |
| 6 | GUI display | IP: DHCP |
| 7 | USB 4G LTE modem | - |
| 8 | Additional router | IP: (B) 192.168.10.10 |

| General LAN settings | |
|----------------------|---------------|
| Subnet Mask | 255.255.255.0 |
| Gateway | 192.168.10.10 |
| DNS 1 | 8.8.8.8 |
| DNS 2 | 8.8.4.4 |

| Router settings | |
|-----------------|---------------------------------|
| DHCP Server | Enabled |
| | 192.168.10.100 - 192.168.10.150 |
| NAT | |
| Ext. port | Int. IP:port |
| :8443 | 192.168.10.20:80 |
| :8444 | 192.168.10.21:80 |

From:

<https://wiki.hiq-universe.com/> -

Permanent link:

https://wiki.hiq-universe.com/doku.php?id=en:hiq_hw:iot_linker&rev=1669991108

Last update: **2022/12/02 14:25**

