

# Light controller

## 8 relay outputs with parallel option

Model number:	<b>LC-8-IQ</b>
Mounting:	DIN rail, 6M, 106 mm
Dimensions:	106×108×58 mm



## Applications

- general purpose discrete (ON/OFF) lights
- automatic corridor and stairs lights
- door-bell
- managed sockets
- bathroom and other single speed fans
- managed appliances (boiler, oven, electric cooker, ...)

## Features

**10A** nominal output current  
**16A** nominal current for parallel outputs  
 power outage:  
 <10min - lights come back  
 >10min - lights will stay off



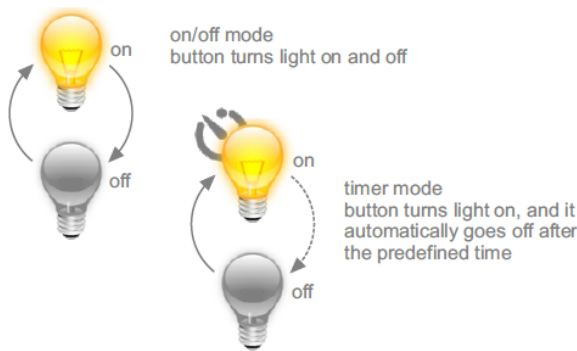
managed socket for devices such as dehumidifier, hi-fi system, floor lamp, portable fan, electric mosquito repellent, electric heater...

## Technical specification

Output power per relay	
- incandescent / halogen 230V	1000 W
- halogen 12V with transformer	500 W

- LED with transformer or compact	500 W
- fluorescent with electronic ballast	500 W
- parallel compensated fluo lamps	300 W / 30 uF
- electric heater (any resistive load)	1800 W
Total power for parallel connection:	2800 W
Total power for all outputs together:	4000 W
Maximum switching voltage	250Vac
Dielectric strenght output to output	400Vac
Maximum input cable length:	50 m
Power supply:	24 V / max. 120 mA
Ingress protection:	IP20
Operating temperature:	0..45 °C
Storage temperature:	-20..75 °C
Relative humidity:	0..95 % n/c
Weight:	280g

**Output mode**



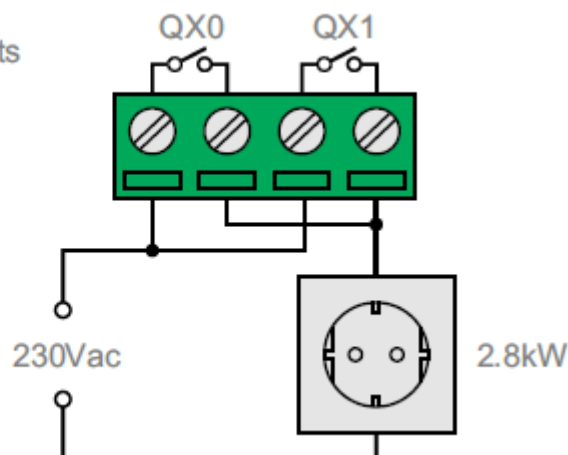
**Input mode**



Input mode defines how an input controls the output. Toggle, staircase, doorbell, motion and door sensor are handled internally. Scene and ready light are handled by master controller.

**Parallel outputs**

For maximum power, two outputs can be connected in parallel. Fully synchronous operation is ensured by firmware.



From:  
<https://wiki.hiq-universe.com/> -

Permanent link:  
[https://wiki.hiq-universe.com/doku.php?id=en:hiq\\_hw:lc-8-iq&rev=1641379844](https://wiki.hiq-universe.com/doku.php?id=en:hiq_hw:lc-8-iq&rev=1641379844)

Last update: **2022/01/05 10:50**

