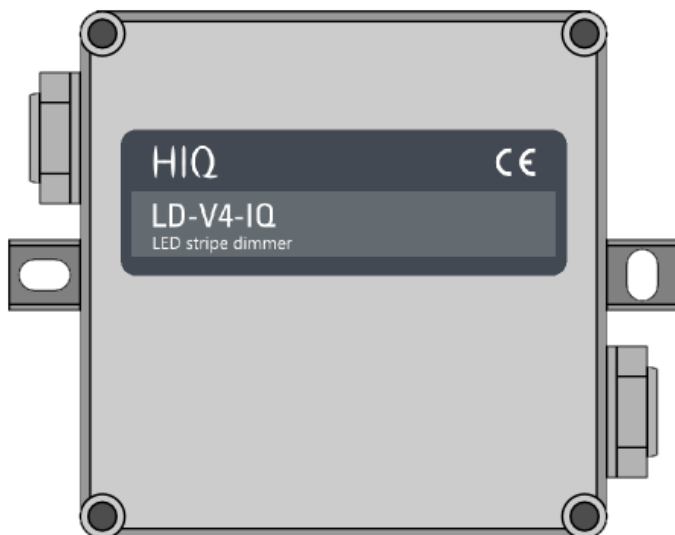


# LD-V4-IQ

## LED stripe dimmer

### 4 channel 12/24V constant voltage PWM dimmer



Model number:	<b>LD-V4-IQ</b>
Mounting:	in-field, junction box or dry-wall
Dimensions:	108×86×45.5mm

## Applications

- 4 individual single color LED stripes
- RGB+W LED stripe

## Features

- button or potentiometer input
  - auto-detect input type
  - potentiometer auto-range
  - Brightness/saturation/hue control in RGB mode
- RGB mode
- exponential output control
- high frequency PWM operation
- channel phase spreading
- full output protection

## General description

The LED dimmer LD-V4-HIQ is 4 channels PWM dimming controller for voltage controlled LED lights or ribbons. It can be used for 4 individual LED stripes or for RGB (+W) stripe. LD-V4-HIQ supports local control buttons or potentiometers connected directly to it, which can be mixed and are auto-detected. For more natural feel and smoother transitions outputs are exponentially controlled with resolution of 0,025 %. High PWM frequency (500 Hz) and channels spreading prevent flickering, reduces EMI noise and considerably increase power efficiency, while preventing eye-strain or headache.

All outputs are fully protected against over-voltage, under-voltage and over-current. Many features are available in the stand alone mode, while advanced features like scenes, scheduling, smartphone

operation, internet connection are only available when connected to the appropriate Home Controller.

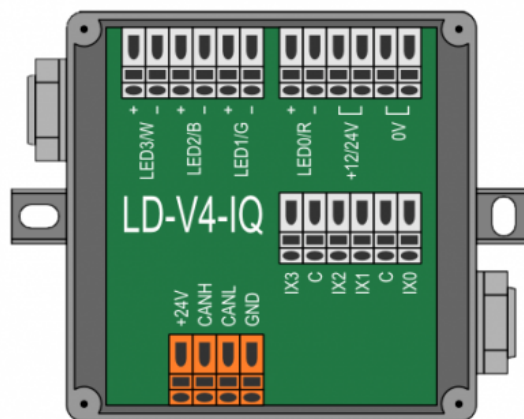
## Technical specification

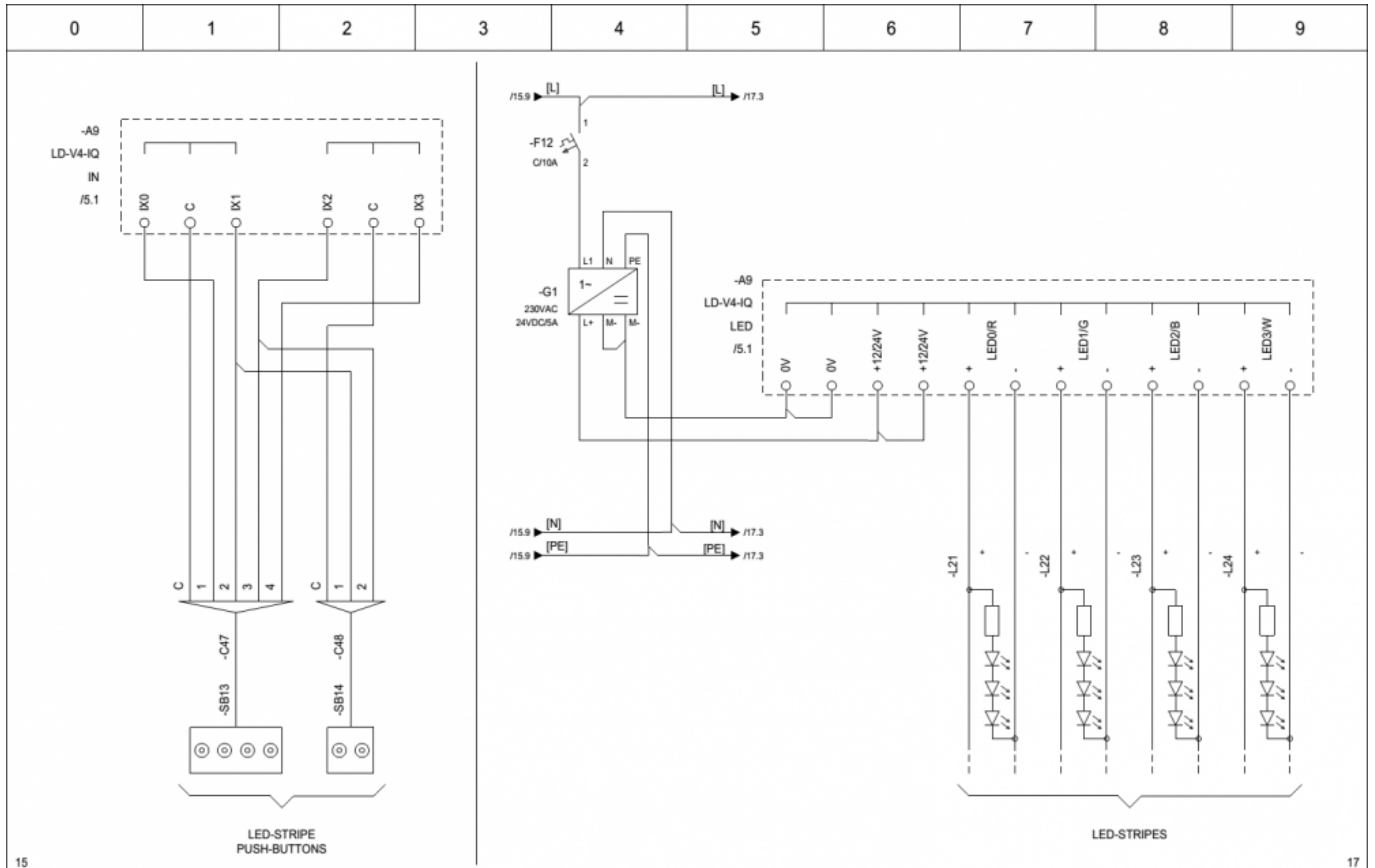
Total output power	240 W @ 12 V
	480 W @ 24 V
Total power loss:	2 W @ 3×6,7 A
Max current per terminal:	10 A
PWM frequency:	500 Hz
Output resolution:	12-bit
Digital inputs:	internal pull-up 12 V, 2 mA
Analog inputs:	10k / 1-10 V; auto-range
Potentiometer inputs:	10 k
LED power supply:	12 / 24 V (10..28 V)
Power supply:	24 V / 25 mA
Operating temperature:	0..45 °C
Storage temperature:	-20..75 °C
Relative humidity:	0..95 % n/c
Galvanic separation:	supply/outputs


<b>Maximum current</b>	
Output	Supply
1x10A	1x10A
2x10A	2x10A
3×6.7A	2x10A
4x5A	2x10A

# Terminals

LED stripe 3 / White RGB stripe	<b>LED3/W</b>	+	LED 3 / W PWM output
		-	
LED stripe 2 / Blue RGB stripe	<b>LED2/B</b>	+	LED 2 / B PWM output
		-	
LED stripe 1 / Green RGB stripe	<b>LED1/G</b>	+	LED 1 / G PWM output
		-	
LED stripe 0 / Red RGB stripe	<b>LED0/R</b>	+	LED 0 / R PWM output
		-	
LED power supply	<b>+12/24V</b>	.	LED PWM outputs power supply
		<b>0V</b>	
		.	
LED 3 / RGB saturation button	<b>IX3</b>	+	Digital/analog input 3
Push-buttons common	<b>C</b>	-	Digital/analog inputs common
LED 2 / RGB mode jumper	<b>IX2</b>	+	Digital/analog input 2
LED 1 / RGB color button	<b>IX1</b>	+	Digital/analog input 1
Push-buttons common	<b>C</b>	-	Digital/analog inputs common
LED 0 / RGB brightness button	<b>IX0</b>	+	Digital/analog input 0
IEX2 BUS	<b>+24V</b>	.	IEX2 bus
	<b>CANH</b>	.	
	<b>CANL</b>	.	
	<b>GND</b>	.	





15		17	
Rev	Revision text	Signature	Date
			14/9/2015
		Last changed by <b>GK</b> Last changed 14/9/2015 File name 14/9/2015	
		 Robotina d.o.o. OIC Kozina 38 SI-6240 Kozina	
		HC-IQ Automation LD-V4-IQ Inputs / Outputs HIQ wiring	
		Drawing number <b>001</b>	Installation = Location +
		Pages <b>17</b>	Page number <b>16</b>

From:  
<http://wiki.hiq-universe.com/> -

Permanent link:  
[http://wiki.hiq-universe.com/doku.php?id=en:hiq\\_hw:ld-v4-iq&rev=1563888148](http://wiki.hiq-universe.com/doku.php?id=en:hiq_hw:ld-v4-iq&rev=1563888148)

Last update: **2019/07/23 13:22**

