

# Master Controller

## Advanced Controller



Model number:	<b>MC-230-01</b>	230 VAC, 11 IO, Enocan, 2 × RS232, RS485, IEX2 terminals
	<b>MC-230-02</b>	230 VAC, 11 IO, 2 × RS232, RS485, IEX2 terminals
	<b>MC-230-03</b>	230 VAC, 11 IO, Enocan, 2 × RS232, isolated RS485, IEX2 terminals
	<b>MC-230-04</b>	230 VAC, 11 IO, 2 × RS232, isolated RS485, IEX2 terminals
Mounting:	DIN rail (35mm), 6M, 106mm	
Dimensions:	106x108x58mm	

## Features

- 3 digital inputs
- 4 relay outputs 8 A
- 4 universal inputs/outputs
- Ethernet, USB, IEX-2, 2×RS232, 1×RS485 (optional isolated)
- Enocan gateway (optional)
- 230 VAC power supply

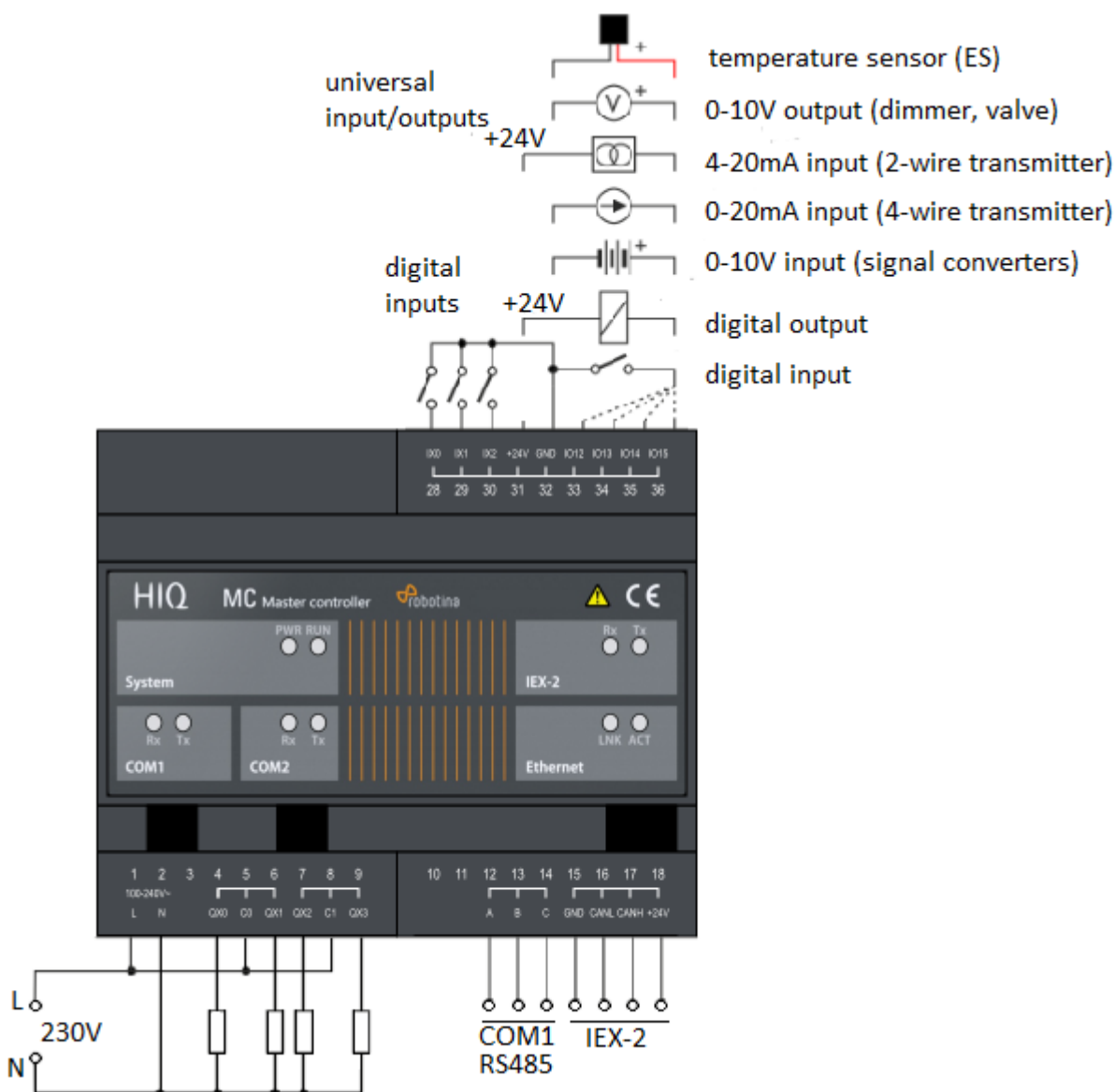
## Safety standards

EN 61010-1, EN 61010-2-201, EN 61131-2

# Technical specification

Relay outputs:	8A/250VAC resistive, 8A/30VDC resistive
Communication:	Ethernet, 2x RS232, 1x RS485, IEX-2 bus
Nominal power rating:	230 VAC
Power consumption:	typ. 1W (no load), 10W max
Power output:	24V 200mA (IEX-2 + terminals)
Ingress protection:	IP20
Operating temperature:	0..50°C
Storage temperature:	-20..75°C
Relative humidity:	0..85% n/c
Input type(ix00..ix02):	dry contact, internal pull-up 12V 2mA
Cable lenght:	50m
COM1 type	RS485 two wire
Transmit/receive	automatic switching

# Terminals



From:  
<http://wiki.hiq-universe.com/> -

Permanent link:  
[http://wiki.hiq-universe.com/doku.php?id=en:hiq\\_hw:mc-230&rev=1604906414](http://wiki.hiq-universe.com/doku.php?id=en:hiq_hw:mc-230&rev=1604906414)

Last update: **2020/11/09 07:20**

