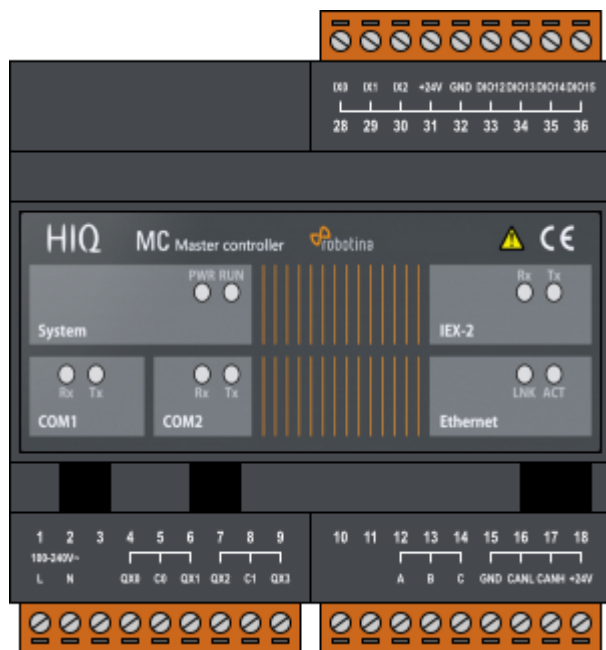


Master Controller

Advanced Controller



Model number:	MC-24-01	24 VAC, 11 IO, Enocean, 2 × RS232, RS485, IEX2 terminals
	MC-24-02	24 VAC, 11 IO, 2 × RS232, RS485, IEX2 terminals
Mounting:	DIN rail, 6M, 106mm	
Dimensions:	106x108x58mm	

Features

- Sources and consumers measurements:
 - 1 × Grid
 - 3 × Local power plants (PV, wind, cogeneration,...)
 - 2 × Storage system (battery)
 - 4 × Consumers
- Load management
 - 4 × Consumers
 - Manual control
 - Manual override timer
 - Weekly timetable, 15 min resolution

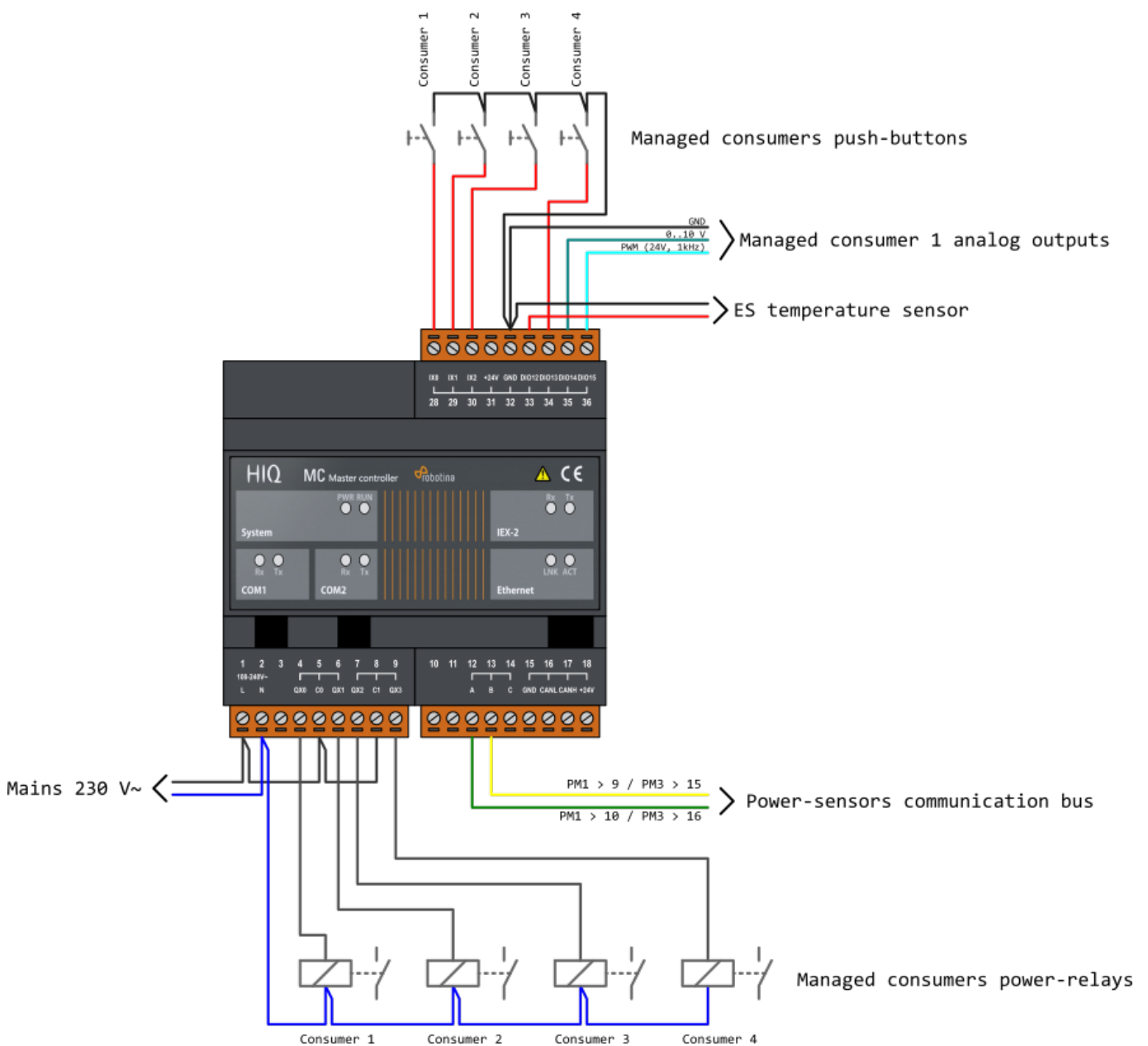
Safety standards

EN 50081-1, EN 61000-6-2, EN 61131-1, EN 61131-2, EN 61000-3-2, EN 61000-3-3

Technical specification

Relay outputs:	8A/250V
Communication:	Ethernet, 2x RS232, 1x RS485, IEX-2 bus
Nominal power rating:	24 VDC
Power consumption:	typ. 1W (no load), 10W max
Power output:	24V 200mA (IEX-2 + terminals)
Ingress protection:	IP20
Operating temperature:	0..45°C
Storage temperature:	-20..75°C
Relative humidity:	0..95% n/c

Terminals



From:
<https://wiki.hiq-universe.com/> -

Permanent link:
https://wiki.hiq-universe.com/doku.php?id=en:hiq_hw:mc-24&rev=1563956527

Last update: **2019/07/24 08:22**

