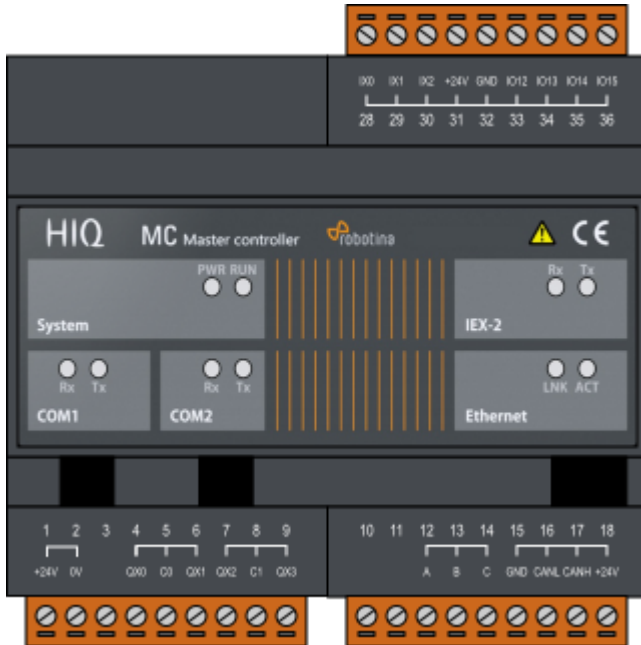


# Master Controller

## Advanced Controller



Model number:	<b>MC-24-01</b>	24 VDC, 11 IO, Enocan, 2 × RS232, RS485, IEX2 terminals
	<b>MC-24-02</b>	24 VDC, 11 IO, 2 × RS232, RS485, IEX2 terminals
	<b>MC-24-03</b>	24 VDC, 11 IO, Enocan, 2 × RS232, isolated RS485, IEX2 terminals
	<b>MC-24-04</b>	24 VDC, 11 IO, 2 × RS232, isolated RS485, IEX2 terminals
Mounting:	DIN rail, 6M, 106mm	
Dimensions:	106x108x58mm	

## Features

- 3 digital inputs
- 4 relay outputs 8 A
- 4 universal inputs/outputs
- Ethernet, USB, IEX-2, 2×RS232, 1×RS485 (optional isolated)
- Enocan gateway (optional)
- 24 VDC power supply

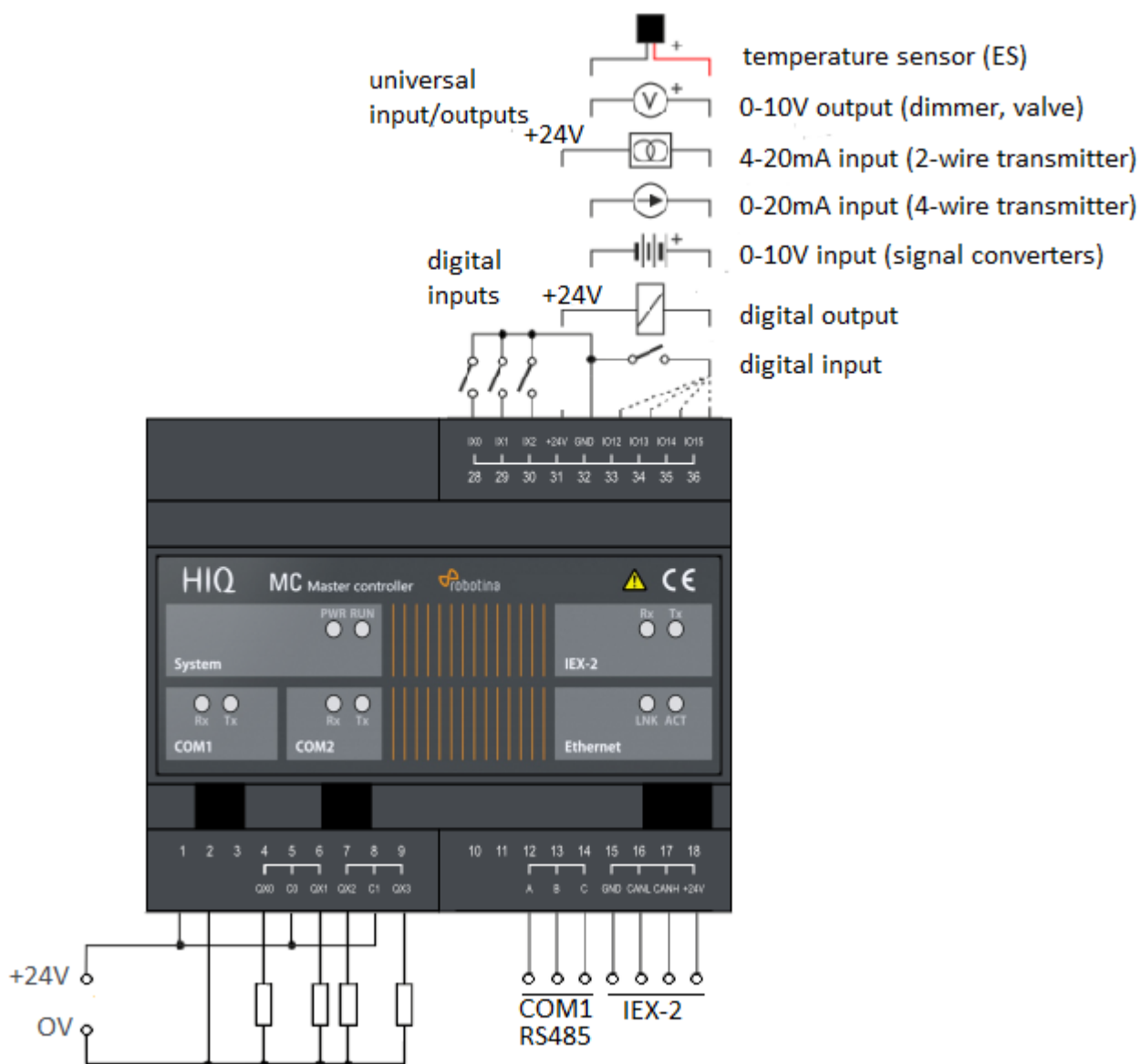
## Safety standards

EN 61010-1, EN 61010-2-201, EN 61131-2

# Technical specification

Relay outputs:	8A/250V
Communication:	Ethernet, 2x RS232, 1x RS485, IEX-2 bus
Nominal power rating:	24 VDC
Power consumption:	50 mA (no load), 180 mA max
Ingress protection:	IP20
Operating temperature:	0..50°C
Storage temperature:	-40..85°C
Relative humidity:	0..85% n/c

## Terminals



From:  
<https://wiki.hiq-universe.com/> -

Permanent link:  
[https://wiki.hiq-universe.com/doku.php?id=en:hiq\\_hw:mc-24&rev=1594897140](https://wiki.hiq-universe.com/doku.php?id=en:hiq_hw:mc-24&rev=1594897140)

Last update: **2020/07/16 10:59**

