

Power Meter Set

Three phase power meter set



Model number:	PM-3-IQ
Mounting:	DIN rail, 4+2M, 76+36 mm
Dimensions:	36 × 62 × 119 mm
	76 × 66 × 100 mm

Applications

- Digital multi-function energy meter for single or 3-phase networks

Features

- DIN rail mounting with direct connection up to 100A
- Compact design in a 4 module, 76mm wide
- Sealable cover(phase and neutral terminals)
- Measuring kWh, V, A, P, F, PF, Hz, etc

General description

The PM-3-IQ series is an advanced 3-phase energy monitoring solution with built-in configuration push button and LCD data displaying, particularly indicated for active energy and other parameters metering and for cost allocation. Housing for DIN-rail mounting, IP20 protection degree, direct connection up to max 100A.





The unit can measure and display:

- Line voltage and THD% (total harmonic distortion) of all phases
- Line frequency
- Currents, current demands and current THD% of all phases
- Power, maximum power demand and power factor
- Active energy, imported and exported
- Reactive energy, imported and exported

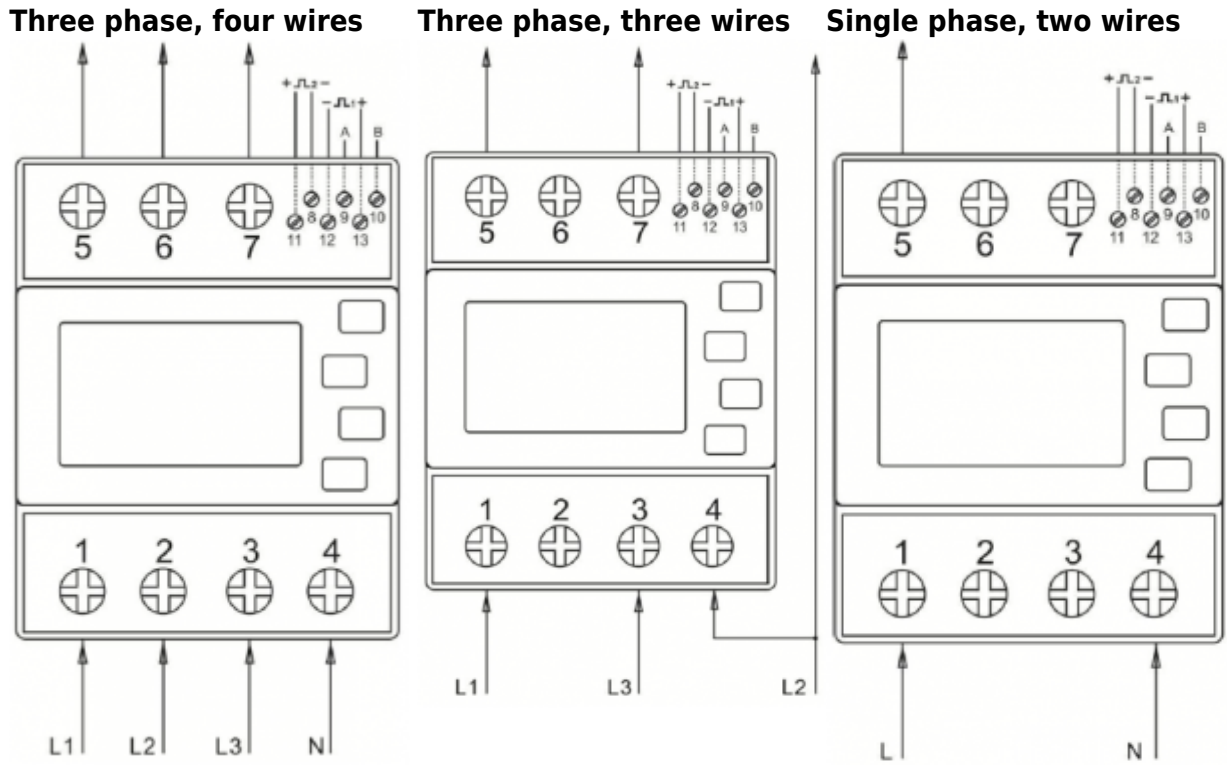
Technical specifications

Phase to neutral voltages	100-289VAC
Voltages between phases	173-500VAC
Power connector	25mm ²
Basic current (Ib)	10 A
Maximum rated current (Imax)	100 A
Operational frequency range	50 or 60 Hz
Internal power consumption	<2 W/10 VA
Communication type	RS485(semi-duplex)
Communication protocol	Modbus RTU
Pulse output 1	configurable
Pulse output 2	400 imp/kWh
Max reading	999999.99 kWh
Accuracy:	
Voltage	0.5% of range maximum
Current	0.5% of nominal
Frequency	0.2% of mid-frequency
Active energy (Wh)	Class 1 IEC 62053-21

SDM630DC Terminals

Phase 1 IN	L1 ↑	1	Loads IN	Pulse output 2 -	2- 	8
Phase 2 IN	L2 ↑	2		COM-PMI A	A	9
Phase 3 IN	L3 ↑	3		COM-PMI B	B	10
Neutral	N	4		Pulse output 2 +	2+ 	11
Phase 1 OUT	L1 ↓	5	Loads OUT	Pulse output 1 -	1- 	12
Phase 2 OUT	L2 ↓	6		Pulse output 1 +	1+ 	13
Phase 3 OUT	L3 ↓	7				

SDM630DC Connection



Manual

Download complete [User Manual](#).

From:

<http://wiki.hiq-universe.com/> -

Permanent link:

http://wiki.hiq-universe.com/doku.php?id=en:hiq_hw:pm-3-iq&rev=1563950352

Last update: **2019/07/24 06:39**

