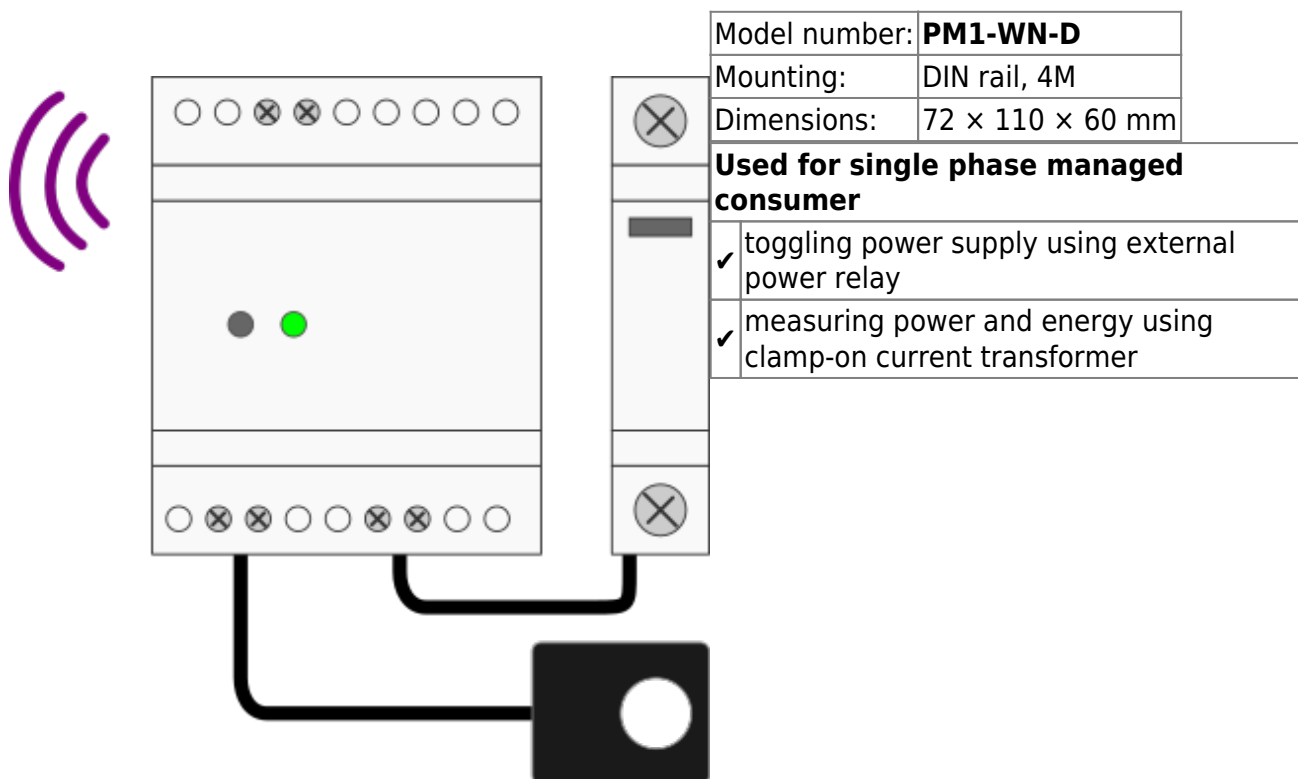


# Wireless DIN rail power meter

## Wireless DIN rail power meter, external power relay switching and consumer measurement



## Features

- Wireless load management, external power-relay control
- Consumer measurements, clamp-on current transformer

## General description

Wireless DIN rail power meter PM1-WN-D is a DIN rail mounted control unit. It can switch on/off an external power-relay and measure active power and energy consumption.

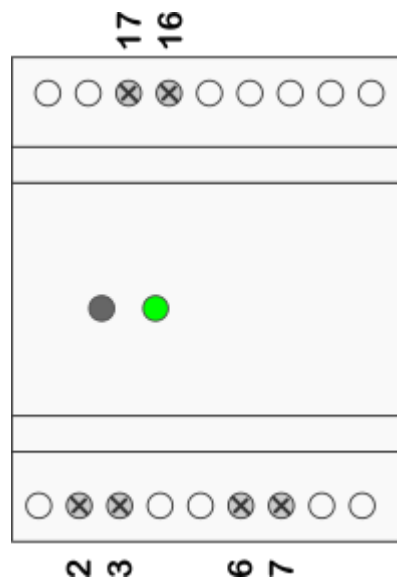
This device has to be directly and continuously main powered. For network purposes, it is a Router (Repeater) i.e. it has function of maintaining radio traffic from and to other similar devices and it can also act as a parent device for battery-powered sensors of the same family.

## Technical specifications

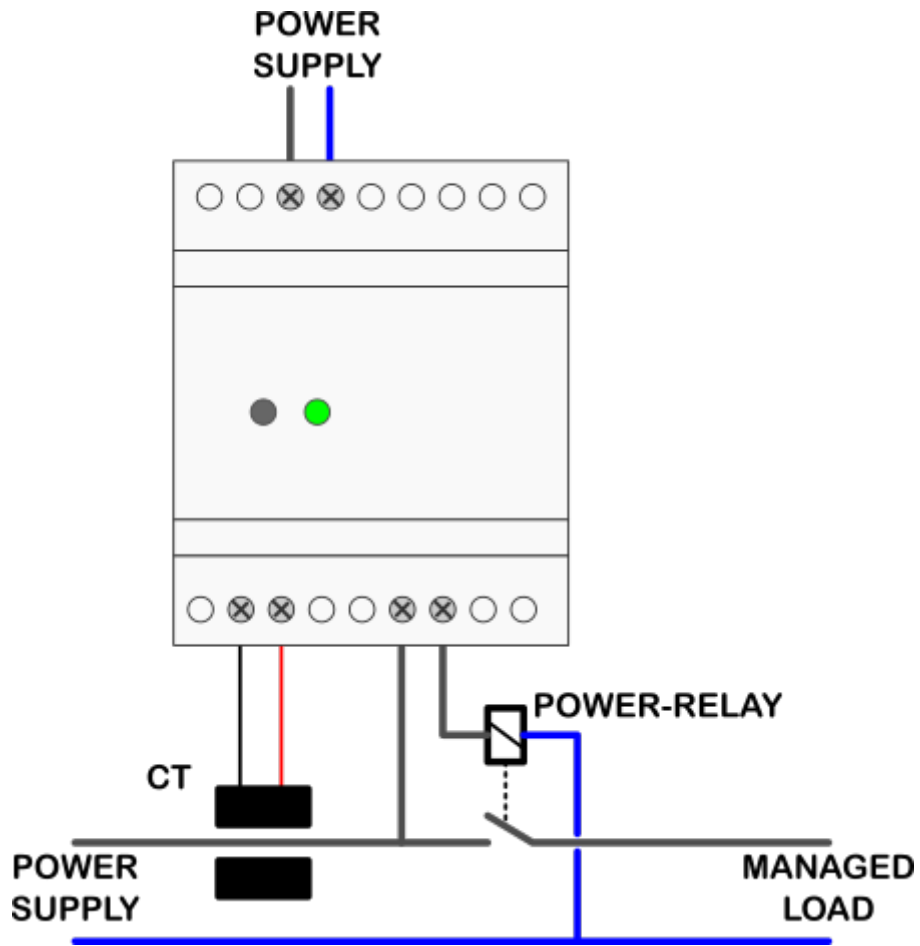
POWER SUPPLY	85-250 Vac; 50/60 Hz
WIRELESS CHARACTERISTICS	2405 MHz ÷ 2480 MHz
	DSSS Modulation
	Nominal transmission Power +3dBm
	IEEE 802.15.4 compliant
	Stack EmberZNet3.5.x
	Stack version 0
	Proprietary profile ID
	Proprietary encryption key
MEASURES	Energy consumed [Wh]
	Active Power [W]
	Time of measurement [sec]
MAXIMUM LOAD	15 kW
RELAY CHARACTERISTICS	Contacts 10A 250V (resistive load)
CONNECTIONS	Terminal blocks
OPERATING CONDITIONS	-10 + 55 °C
PROTECTION CLASS	IP30

## Terminals

PM1-WN-D			
MAINS	16	<b>Power source</b>	L
	17		N
CT	2	<b>Current transformer</b>	black
	3		red
Relay	6	<b>Power relay</b>	coil power supply
	7		coil



## Connection



From:  
<https://wiki.hiq-universe.com/> -

Permanent link:  
[https://wiki.hiq-universe.com/doku.php?id=en:hiq\\_hw:pm1-wn-d&rev=1566292079](https://wiki.hiq-universe.com/doku.php?id=en:hiq_hw:pm1-wn-d&rev=1566292079)

Last update: 2019/08/20 09:07

