

Wireless module, 2 NTC, 2 digital input

Wireless module, 2 NTC temperature sensors input, 2 digital input



Model number:	TDI-WN-W
Mounting	On wall
Dimensions:	92 x 110(300) x 35 mm
Require:	
Wireless gateway	GW-WN-W
Compatible sensors:	
NTC temperature probe	S-NTC

Highlights & Features

- 2 x Temperature measurements
- 2 x Digital input

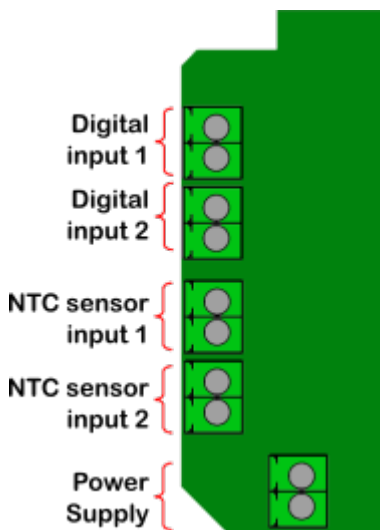
General description

Wireless TDI-WN-W module has two inputs for temperature sensors and two digital inputs. It has the fundamental task of acquiring its inputs, and sending the data it acquires and generates at regular intervals, to a compatible Gateway.

Technical specifications

POWER SUPPLY	12 VDC, Plug adapter
WIRELESS CHARACTERISTICS	2405 MHz ÷ 2480 MHz
	DSSS Modulation
	Nominal transmission Power +3dBm
	IEEE 802.15.4 compliant
	Stack EmberZNet3.5.x
	Stack version 0
	Proprietary profile ID
TEMPERATURE SENSOR INPUT	Proprietary encryption key
	NTC SENSOR TYPE 103AT (10K a 25°C; beta=3435K)
	Measurement range -50°C ÷ +100°C
	Reading resolution 0,1°C
DIGITAL INPUT	Reading accuracy ±0,5°C
	electronic type not insulated inputs for clean contact (low current reed switch)
MEASUREMENT ACCURACY	Temperature -10°C to + 60°C; Resolution 0.1 °C
OPERATING CONDITIONS	-20 + 55 °C
CONNECTION	Pull-out terminals (3,81 mm pitch)
DEGREE OF PROTECTION	IP 55

Terminals



From: <http://wiki.hiq-universe.com/> -

Permanent link: http://wiki.hiq-universe.com/doku.php?id=en:hiq_hw:tdi-wn-w&rev=1565779794

Last update: **2019/08/14 10:49**

