

# Wireless Modbus Relay

## Wireless Modbus Relay





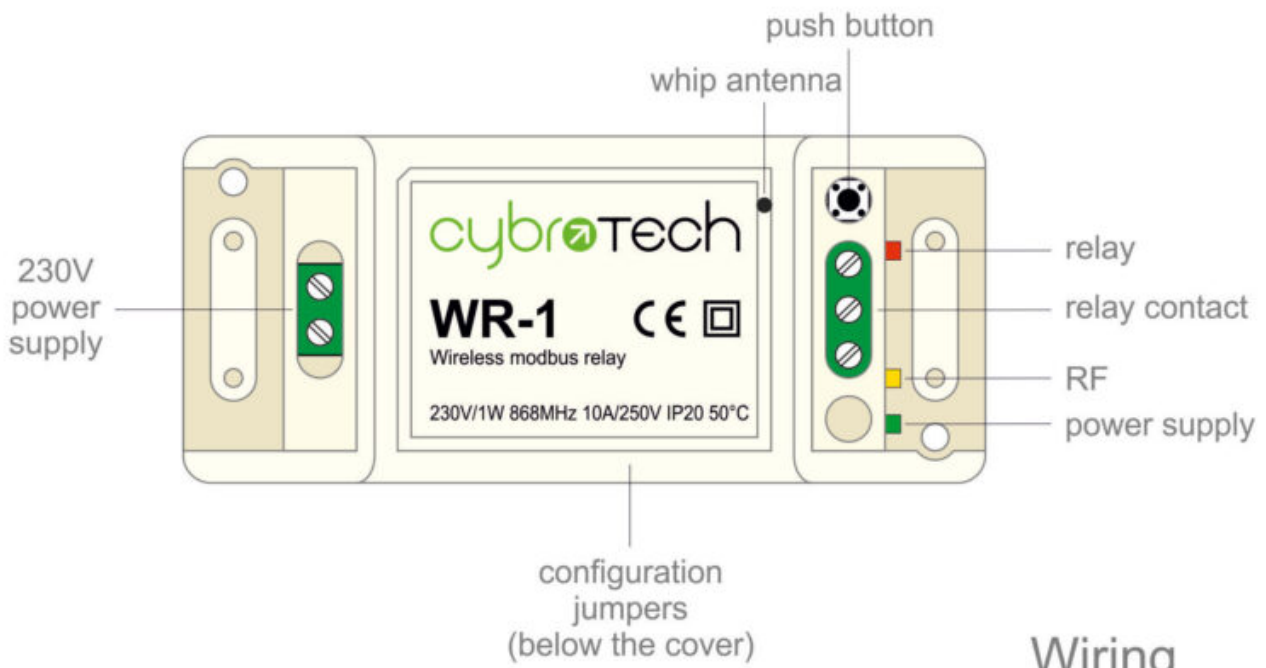
|               |                 |
|---------------|-----------------|
| Model number: | <b>WR-1</b>     |
| Frequency:    | ISM 868MHz (EU) |
| Dimensions:   | 93x45x27 mm     |

## Applications

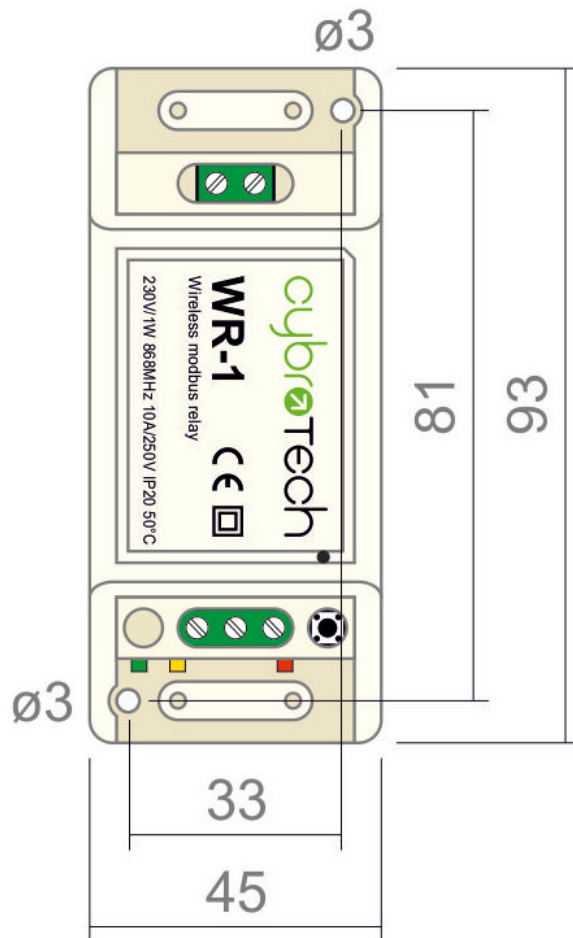
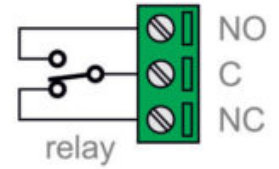
- Remote controlled relay. Act as modbus RTU slave. Optimal for long range, no hopping.

## Installation and mounting

-  Carefully open WR-1 module and configure serial communication with jumpers. (Default configuration is 9600bps, 8N1 with normal timeout)
-  Place WR-1 module at least 10cm from other objects. Installation is not recommended inside metal cabinets.
- Connect RS485 terminals to WR-1 RS485 terminals
  - A - A
  - B - B
  - C - GND
- Connect to 230V power supply
- Configure radio pairing



### Wiring



## Features

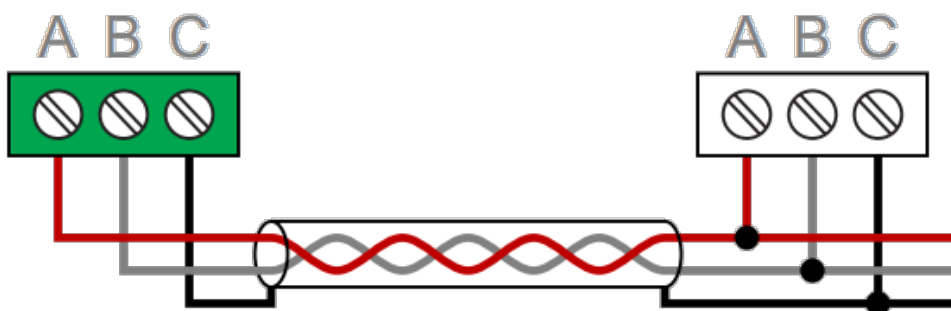
- remote controlled relay
- act as modbus RTU slave
- very long range, no hopping
- up to 8 relays per network
- protected private connection
- multiple addressable groups

## Technical specification


|                        |                   |
|------------------------|-------------------|
| Power supply:          | 230V, 50/60Hz, 1W |
| Ingress protection:    | IP20              |
| Operating temperature: | -20..50°C         |
| Storage temperature:   | -40..85°C         |
| Relative humidity:     | 0..85% n/c        |

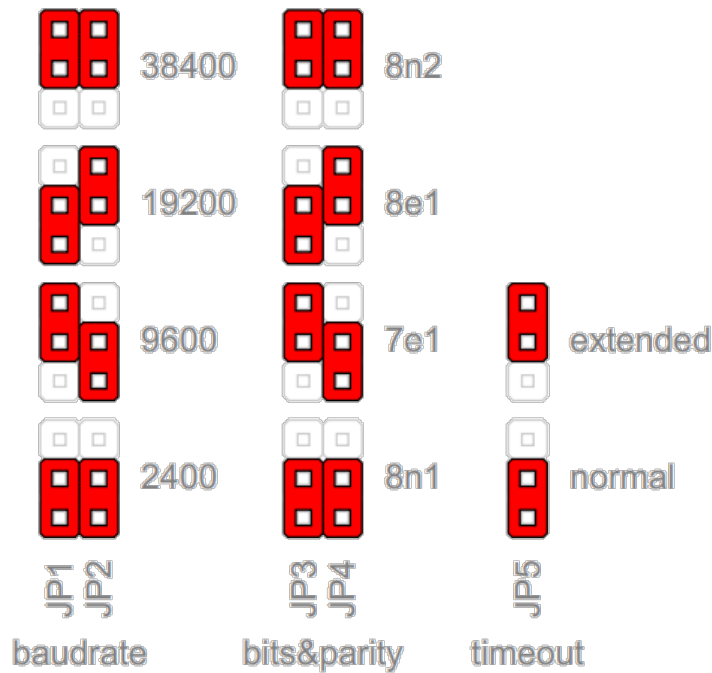
## Terminals and wiring

|                 |          |           |
|-----------------|----------|-----------|
| To power sensor | <b>A</b> | RS485 bus |
|                 | <b>B</b> |           |
|                 | <b>C</b> |           |
| To power supply | <b>L</b> | 230V AC   |
|                 | <b>N</b> |           |



# Serial configuration and timeout

- Available baudrates 2400, 9600, 19200, 38400 bps
- Data bits and parity 8N1, 7E1, 8E1, 8N2
-  Max 64 bytes per transmission
- Integrated 240 Ohm termination resistor

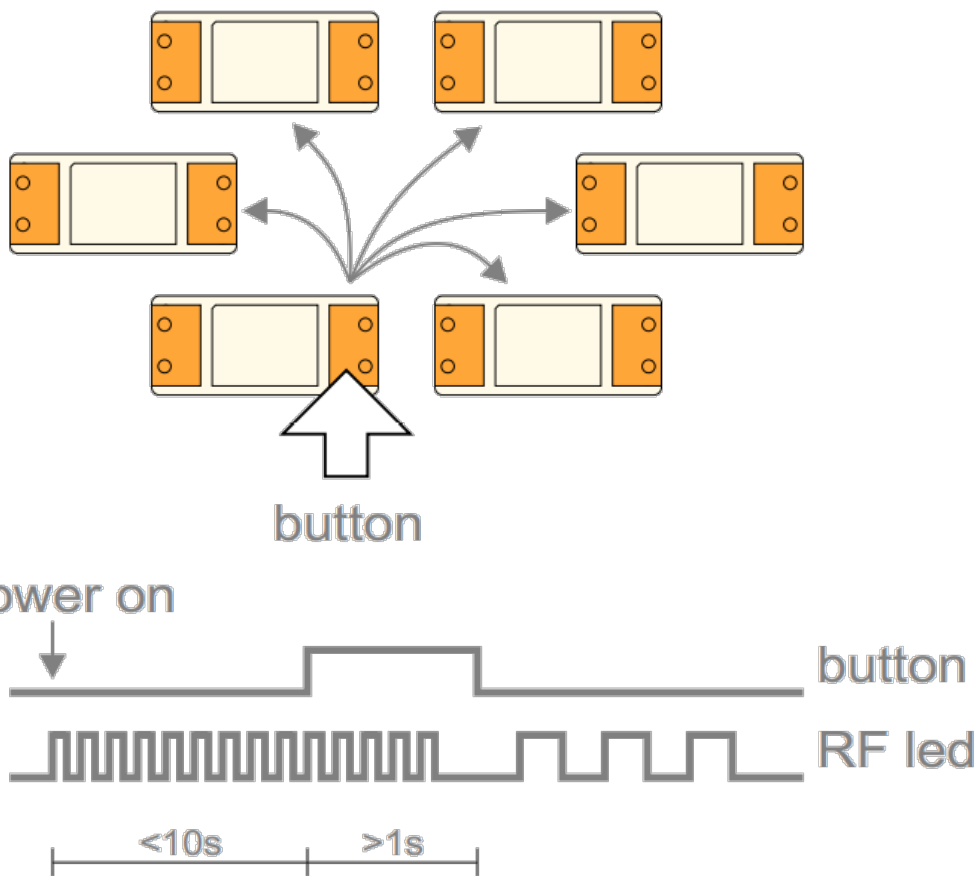


|       | normal | extended |
|-------|--------|----------|
| 2400  | 25ms   | 200ms    |
| 9600  | 10ms   | 100ms    |
| 19200 | 5ms    | 100ms    |
| 38400 | 5ms    | 100ms    |

## Radio pairing configuration

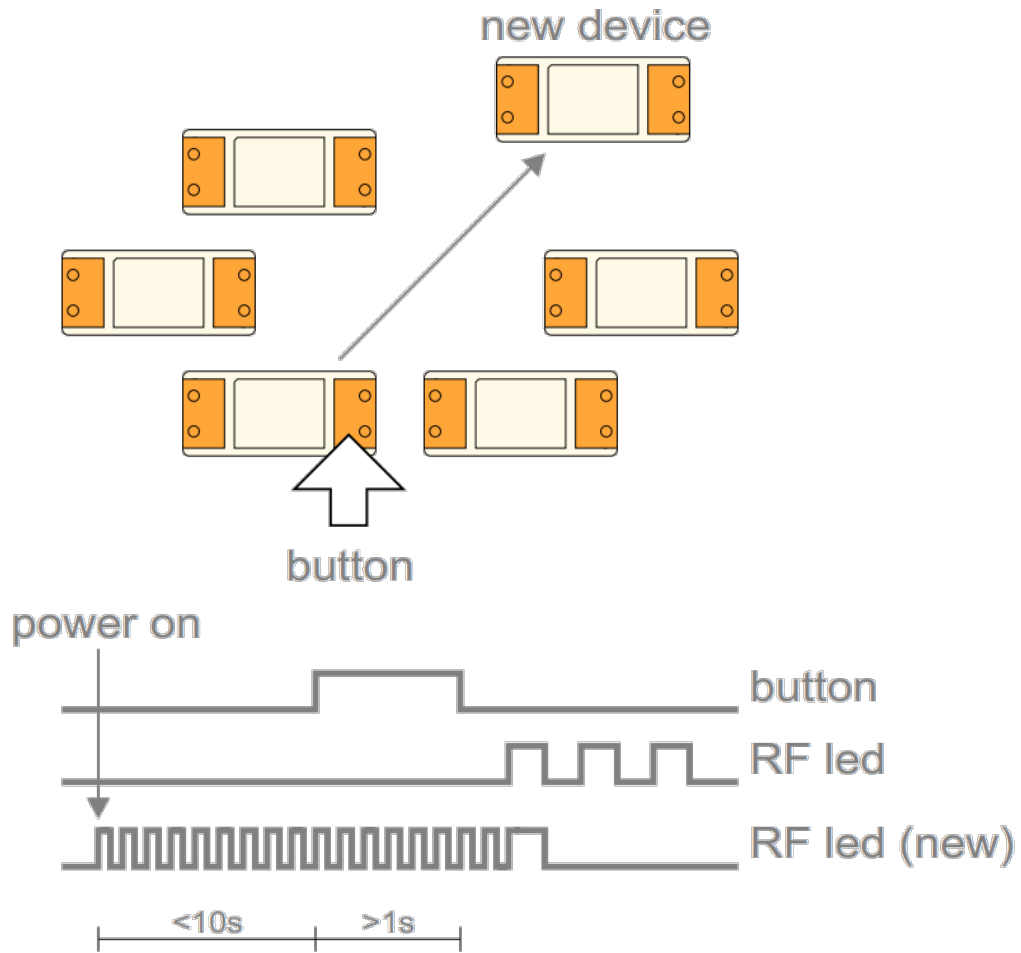
### Create new secure group

- \* turn on all devices as the same time
- \* within 10 seconds, while RF LED is blinking, press and hold button on one of the devices
- \* after a second, the new address is randomly generated and sent to all devices. RF LED will blink 3 times to confirm the new address.



### Add new device to the group

- \* turn on the device
- \* within 10 seconds, press and hold button on one of the existing devices
- \* after a second, the existing group address is sent to the new device. RF LED will blink 3 times to confirm the address is sent.



## Examples



## Connection check

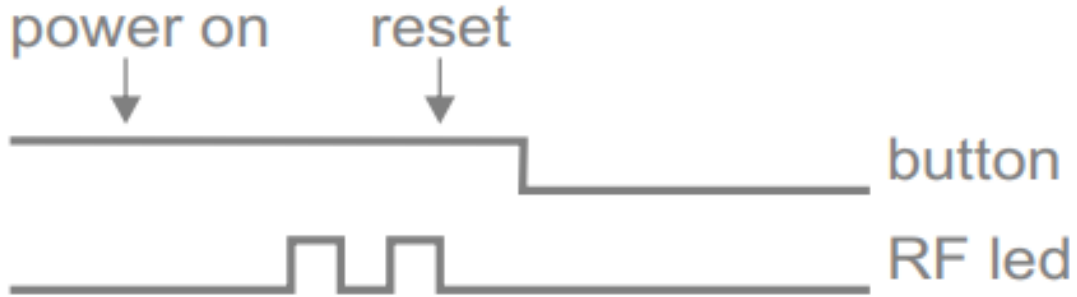
- press the button shortly

With each press of the button, the relay will switch on/off. Other devices are not affected.



# Factory reset

- Hold button and turn the device ON
- RF led will blink twice. Group address is now reset to default.
- Other devices will not be affected.



From:  
<https://wiki.hiq-universe.com/> -

Permanent link:  
[https://wiki.hiq-universe.com/doku.php?id=en:hiq\\_hw:wr-1&rev=1669732082](https://wiki.hiq-universe.com/doku.php?id=en:hiq_hw:wr-1&rev=1669732082)

Last update: **2022/11/29 14:28**

