

Wireless Modbus Relay

Wireless Modbus Relay





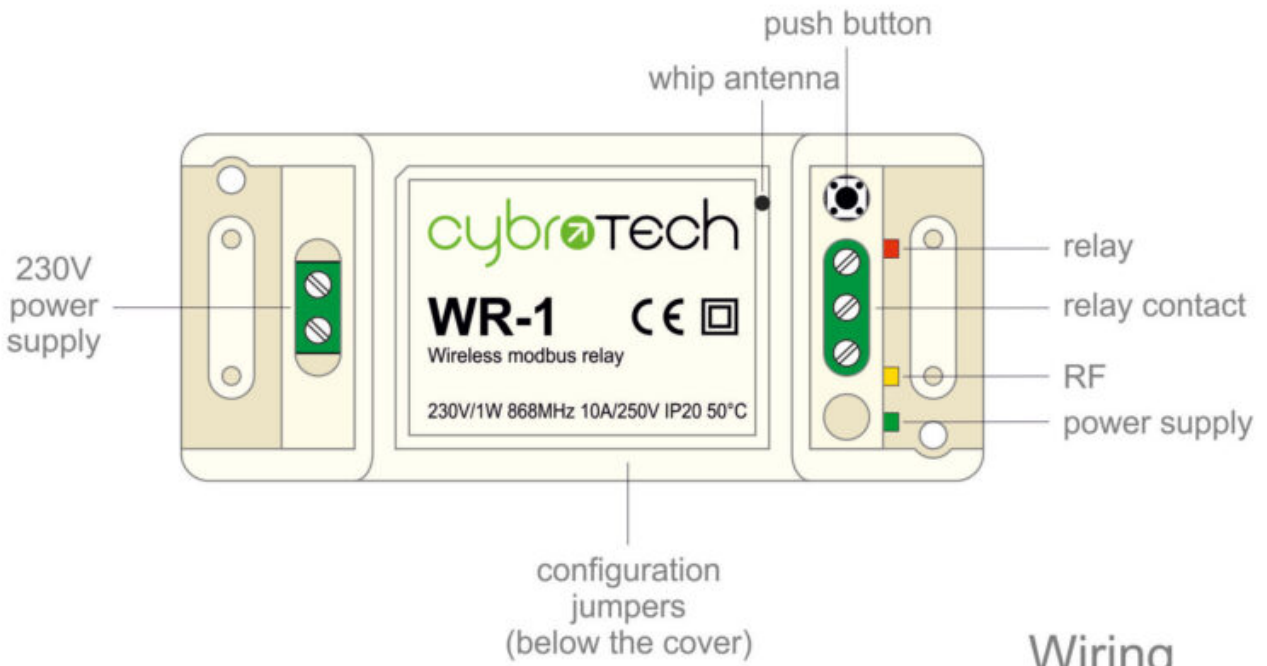
Model number:	WR-1
Frequency:	ISM 868MHz (EU)
Dimensions:	93x45x27 mm

Applications

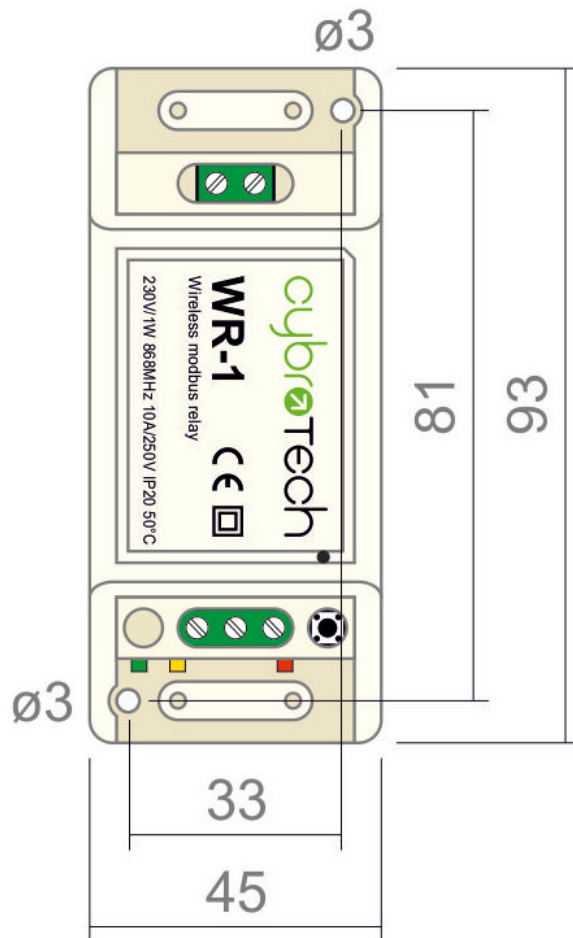
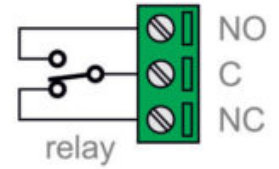
- Remote controlled relay. Act as modbus RTU slave. Optimal for long range, no hopping.

Installation and mounting

-  Carefully open WR-1 module and configure serial communication with jumpers. (Default configuration is 9600bps, 8N1 with normal timeout)
-  Place WR-1 module at least 10cm from other objects. Installation is not recommended inside metal cabinets.
- Connect RS485 terminals to WR-1 RS485 terminals
 - A - A
 - B - B
 - C - GND
- Connect to 230V power supply
- Configure radio pairing



Wiring



Features

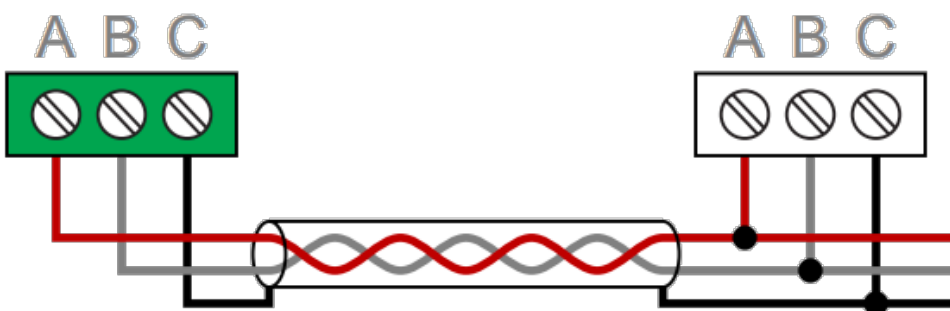
- remote controlled relay
- act as modbus RTU slave
- very long range, no hopping
- up to 8 relays per network
- protected private connection
- multiple addressable groups

Technical specification


Power supply:	230V, 50/60Hz, 1W
Ingress protection:	IP20
Operating temperature:	-20..50°C
Storage temperature:	-40..85°C
Relative humidity:	0..85% n/c

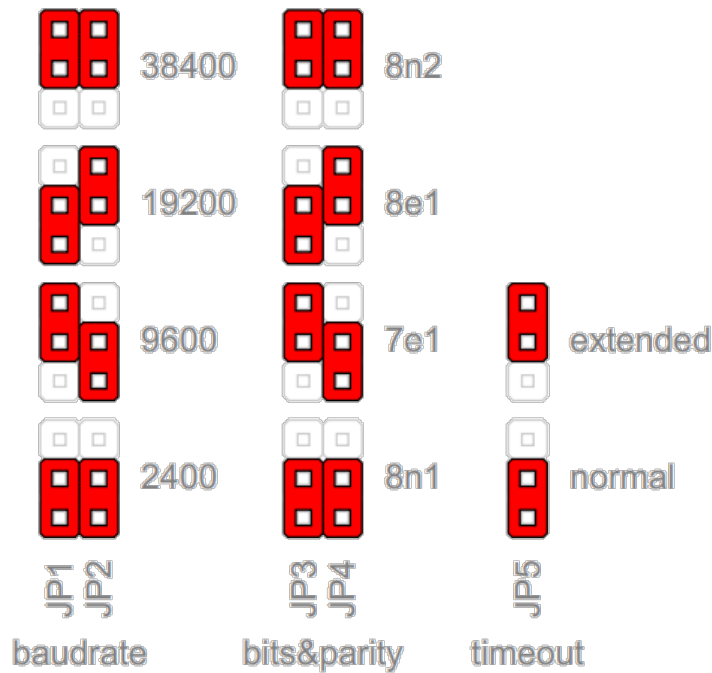
Terminals and wiring

To power sensor	A	RS485 bus
	B	
	C	
To power supply	L	230V AC
	N	



Serial configuration and timeout

- Available baudrates 2400, 9600, 19200, 38400 bps
- Data bits and parity 8N1, 7E1, 8E1, 8N2
-  Max 64 bytes per transmission
- Integrated 240 Ohm termination resistor

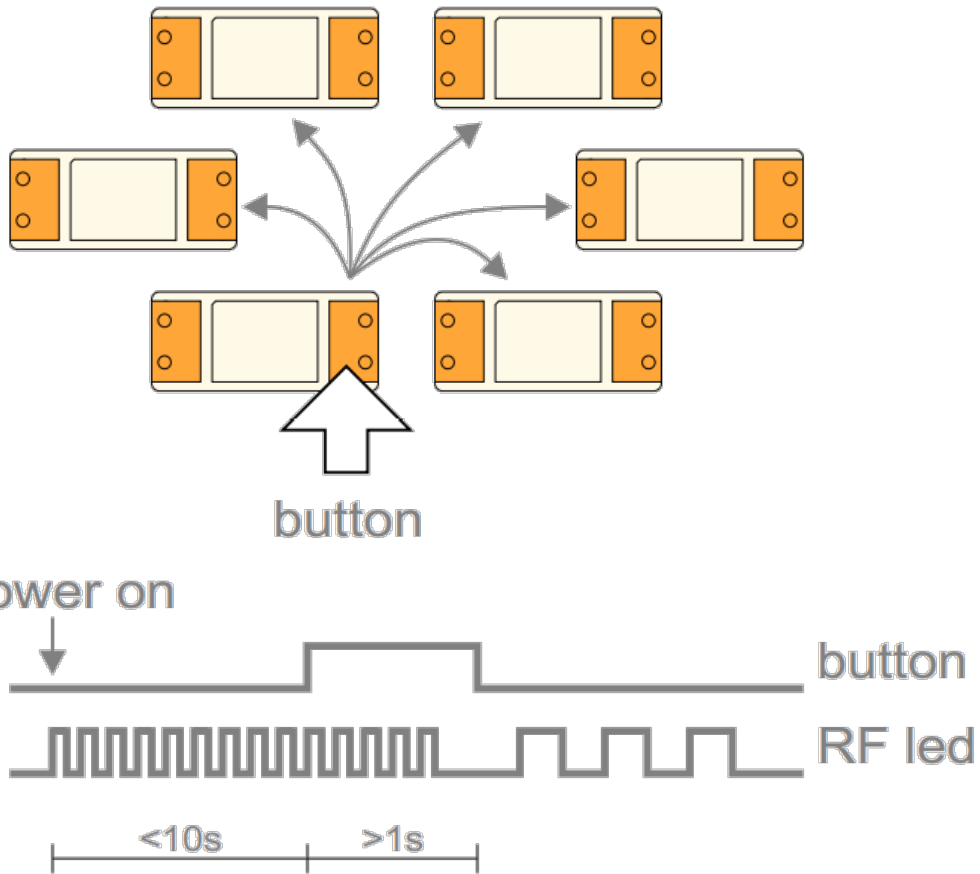


	normal	extended
2400	25ms	200ms
9600	10ms	100ms
19200	5ms	100ms
38400	5ms	100ms

Radio pairing configuration

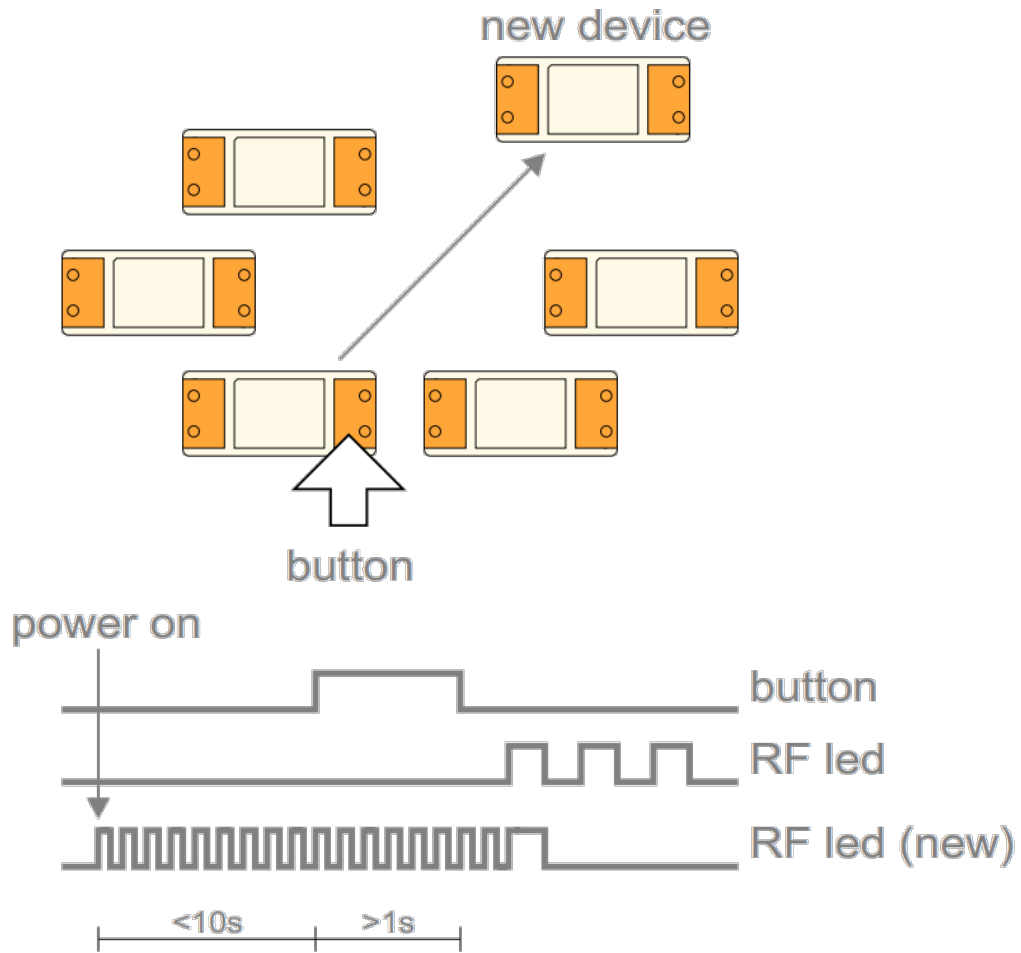
Create new secure group

- * turn on all devices as the same time
- * within 10 seconds, while RF LED is blinking, press and hold button on one of the devices
- * after a second, the new address is randomly generated and sent to all devices. RF LED will blink 3 times to confirm the new address.

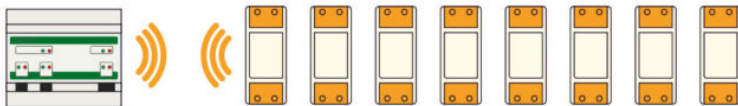


Add new device to the group

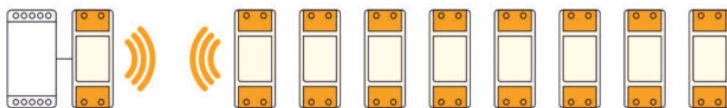
- * turn on the device
- * within 10 seconds, press and hold button on one of the existing devices
- * after a second, the existing group address is sent to the new device. RF LED will blink 3 times to confirm the address is sent.



Examples



Cybro-3-RFM, acting as modbus master, connected to 8 wireless relays (200..207).



Any modbus master, connected to 8 relays using WM-1 device as wireless adapter.

Connection check

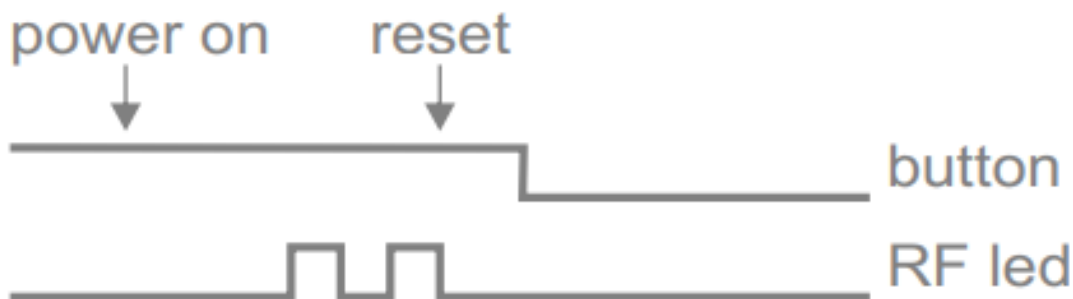
- press the button shortly

With each press of the button, the relay will switch on/off. Other devices are not affected.



Factory reset

- Hold button and turn the device ON
- RF led will blink twice. Group address is now reset to default.
- Other devices will not be affected.



From:
<https://wiki.hiq-universe.com/> -

Permanent link:
https://wiki.hiq-universe.com/doku.php?id=en:hiq_hw:wr-1&rev=1669732104

Last update: **2022/11/29 14:28**

