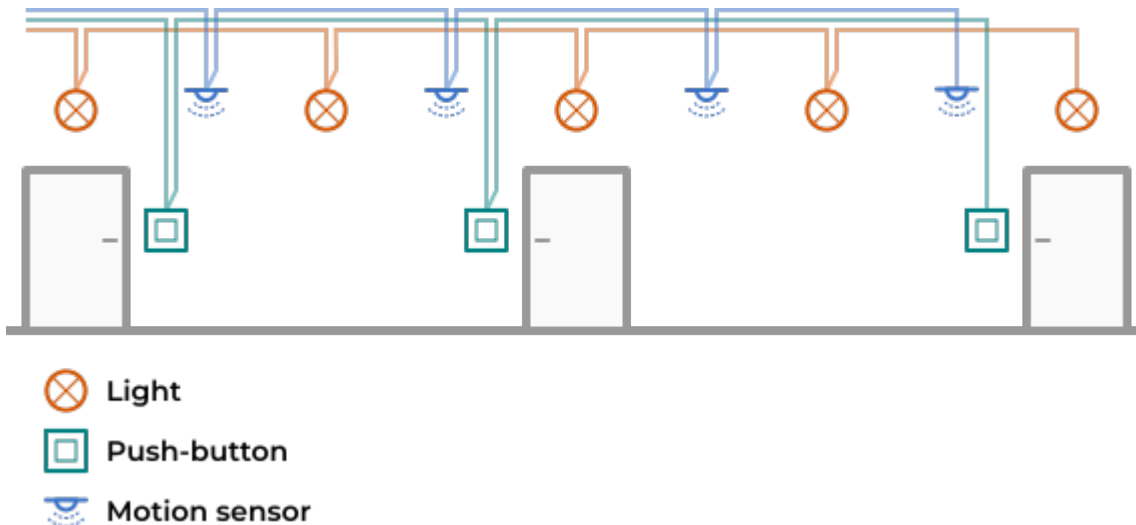


Lighting of transitional spaces

- Lots of lights, push-buttons and motion sensors in parallel
- Presence sensors active only at night (there are windows)

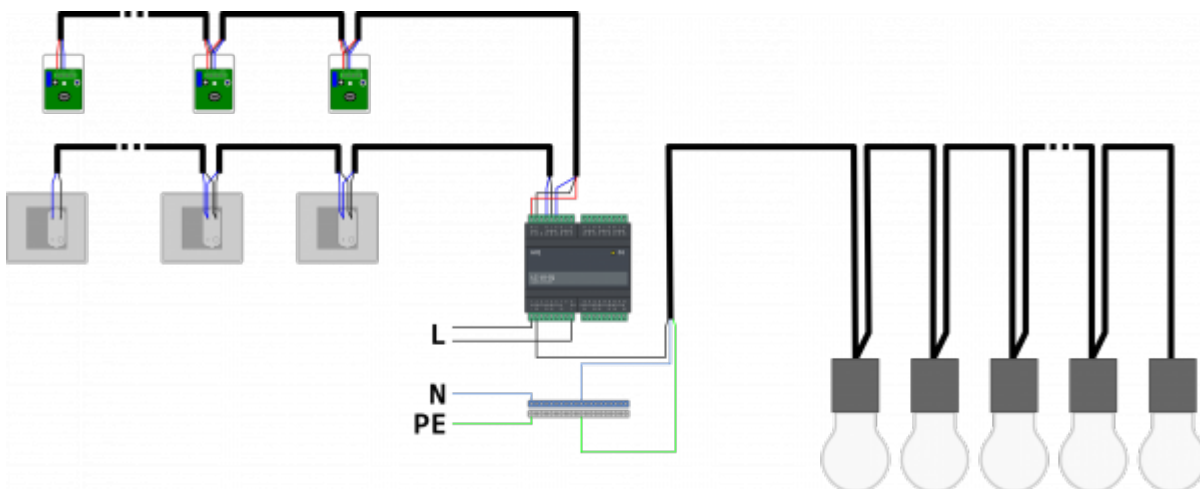


HIQ Lighting advantages

- Easy and fully customized auto-off time setting
- **Simple activation of a extended auto-off time for cleaning purposes with long press of any key**

Wiring

- All lights, push-buttons and motion sensors are electrically wired in parallel



Configuration

1. Clear all default inputs functionalities
2. Set Input 0 as push-button for Light 0
3. Set Input 1 as night time only time-extension input for Light 0
4. Set auto power-off and extended time-out for Light 0
5. Save settings to permanent memory

[transitional.mp4](#)

From:
<https://wiki.hiq-universe.com/> -

Permanent link:
https://wiki.hiq-universe.com/doku.php?id=en:lighting-iq:use_cases:transitional

Last update: **2021/04/08 09:02**

