

# Intelligent Master Controller

## Monitoring Control gateway with MODBUS/TCP IP & OPC



|               |                     |   |
|---------------|---------------------|---|
| Model number: | <b>BM-C-A1</b>      | 230 VAC, Battery Monitoring Master Controller |
| Mounting:     | DIN rail, 6M, 106mm |   |
| Dimensions:   | 106x108x58mm        |   |

## Features

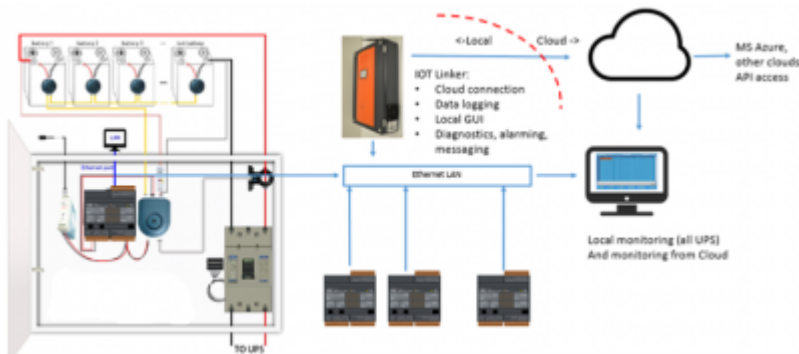
- Industrial grade reliability
- Update & upgrade from Cloud
- Alarms & log
- One controller per UPS
- Max. 4 battery strings with one controller
- 4 outputs for battery disconnection/alarm
- Unlimited number of controllers in network
- Optional: Connection of temperature sensors (directly)
- Optional: Connection of temperature/humidity sensors (on bus)
- Optional: Connection of RFID/Digital key reader for confirmation of physical check by staff

## Safety standards

EN 61010-1, EN 61010-2-201, EN 61131-2

# Technical specification

|                        |   |
|------------------------|---|
| Relay outputs:         | 8A/250V                                 |
| Communication:         | Ethernet, 2x RS232, 1x RS485, IEX-2 bus |
| Nominal power rating:  | 230 VAC                                 |
| Power consumption:     | typ. 1W (no load), 10W max              |
| Power output:          | 24V 200mA (IEX-2 + terminals)           |
| Ingress protection:    | IP20                                    |
| Operating temperature: | 0..45°C                                 |
| Storage temperature:   | -20..75°C                               |
| Relative humidity:     | 0..95% n/c                              |



From:  
<http://wiki.hiq-universe.com/> -

Permanent link:  
[http://wiki.hiq-universe.com/doku.php?id=en:ms\\_main:bm-c-a1&rev=1625046556](http://wiki.hiq-universe.com/doku.php?id=en:ms_main:bm-c-a1&rev=1625046556)

Last update: **2021/06/30 09:49**

