

Motion sensor

Dual technology PIR/Ultrasonic motion detector ceiling recessed



| | |
|---------------|-----------------|
| Model number: | DIU-9-LC |
| Connects to: | digital input |
| Mounting: | Wall or ceiling |

Applications

- Motion detector
- Ready light
- Lighting control
- Hotel GRMS

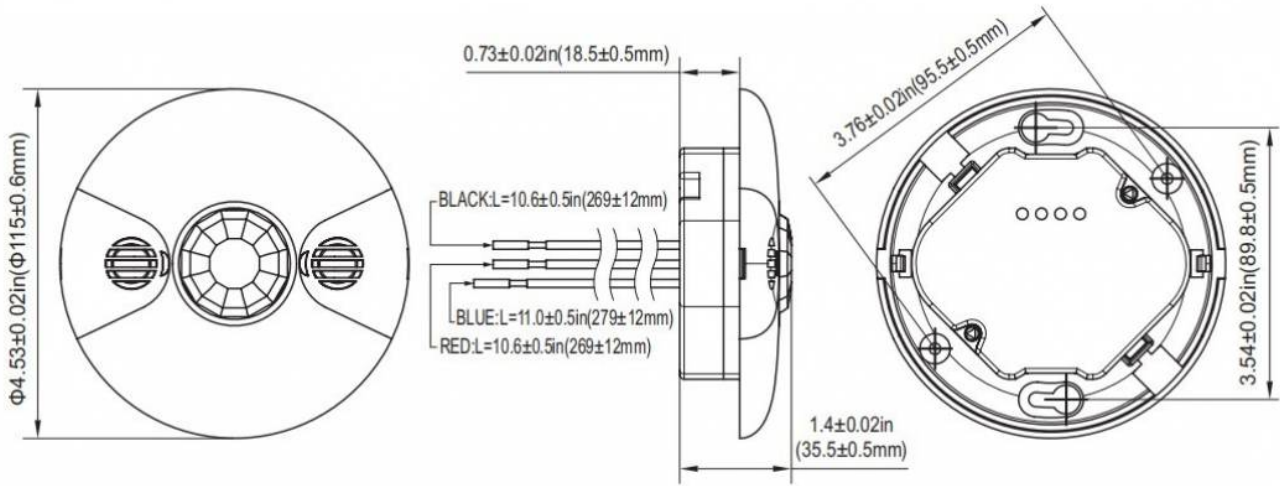
Installation instruction

- Ensure that there are no obstructions (plants, screens, furniture etc.) in the field of view that may cause incorrect cover/operation of the detector.
- Install the detector at proper height on a rigid surface. Do not install the detector on vibrating surface.

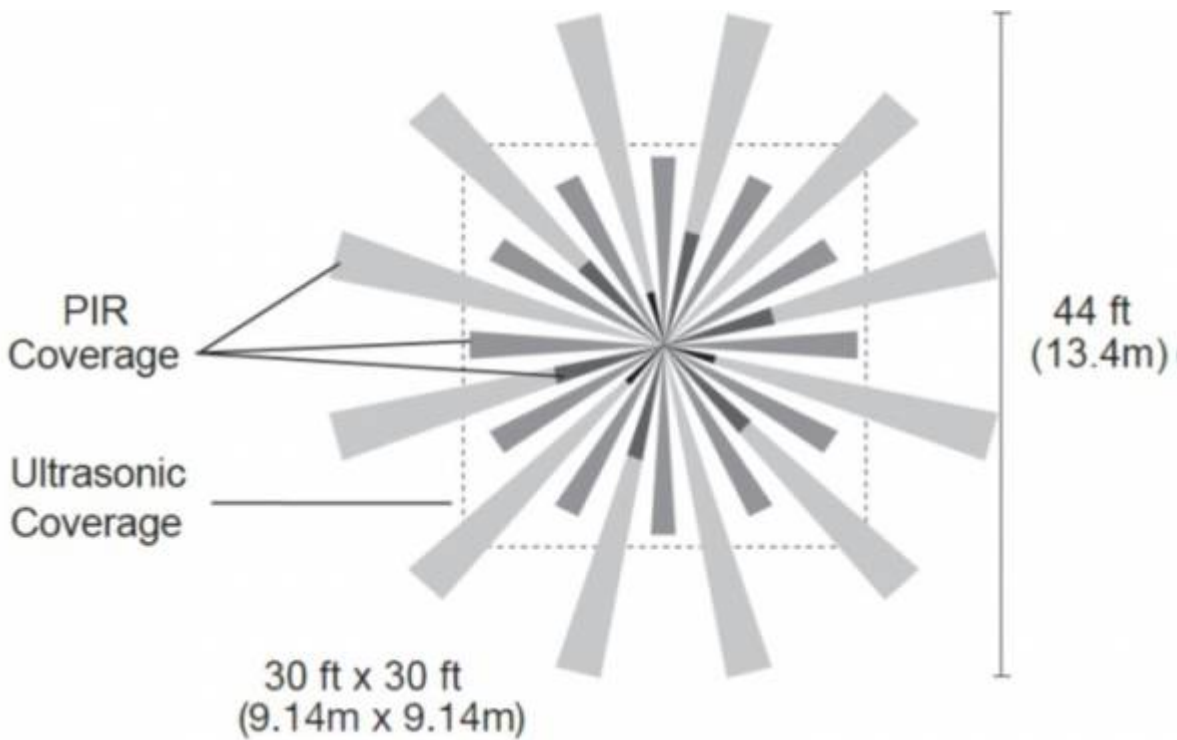
Technical specifications

| | |
|-----------------------|--------------------------------|
| Power supply | 24 VDC |
| Currentconsumption | 20mA |
| Temperature | -0°C ~ 55°C |
| Humidity | < 93% non condensing |
| Output contact rating | 100,000 cycles @ 24 VDC, < 9mA |
| Range | 9m US, 12m PIR(Adjustable) |
| Installing height | Max. 3.5 m |
| Detection | 360 deg |

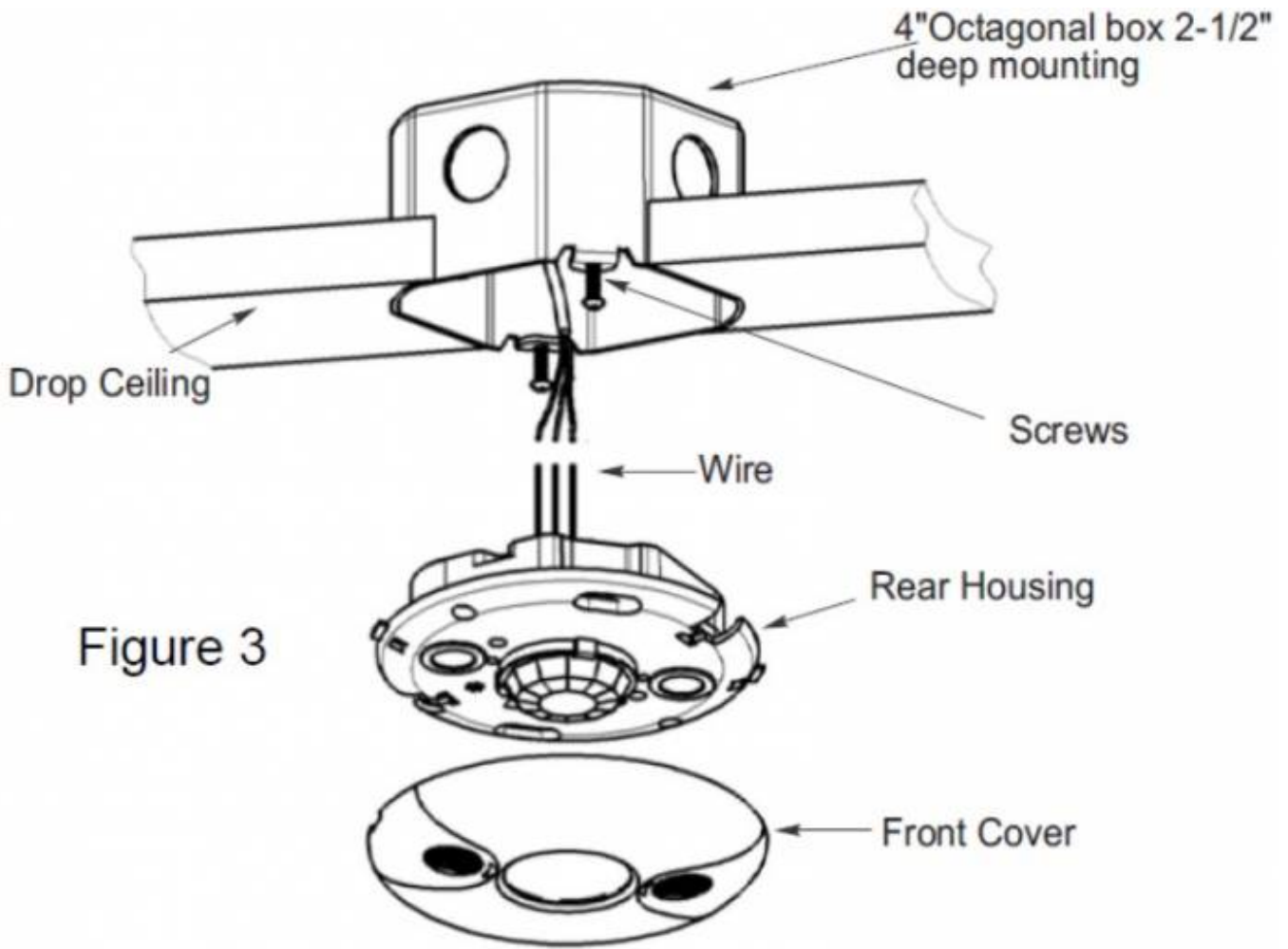
Dimension



Range and detection pattern



Mounting



Terminals

| | | |
|--------------|----------------|--------------|
| Power supply | + Red | Power supply |
| Common | - Black | |
| Signal | + Blue | Output |

From:
<http://wiki.hiq-universe.com/> -

Permanent link:
http://wiki.hiq-universe.com/doku.php?id=en:ms_main:diu-9-lc&rev=1591946886

Last update: 2020/06/12 07:28

