

# Motion sensor

## Dual technology PIR/Ultrasonic motion detector ceiling recessed



Model number:	<b>DIU-9-LC</b>
Connects to:	digital input
Mounting:	Wall or ceiling

## Applications

- Occupancy detector
- Ready light
- Lighting control
- Hotel GRMS

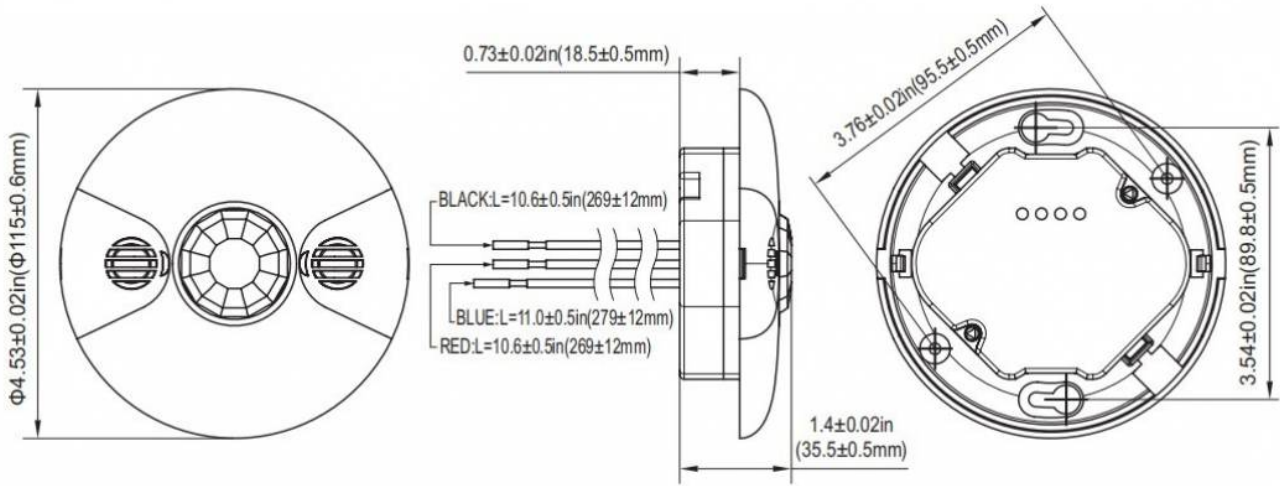
## Installation instruction

- Ensure that there are no obstructions (plants, screens, furniture etc.) in the field of view that may cause incorrect cover/operation of the detector.
- Install the detector at proper height on a rigid surface. Do not install the detector on vibrating surface.

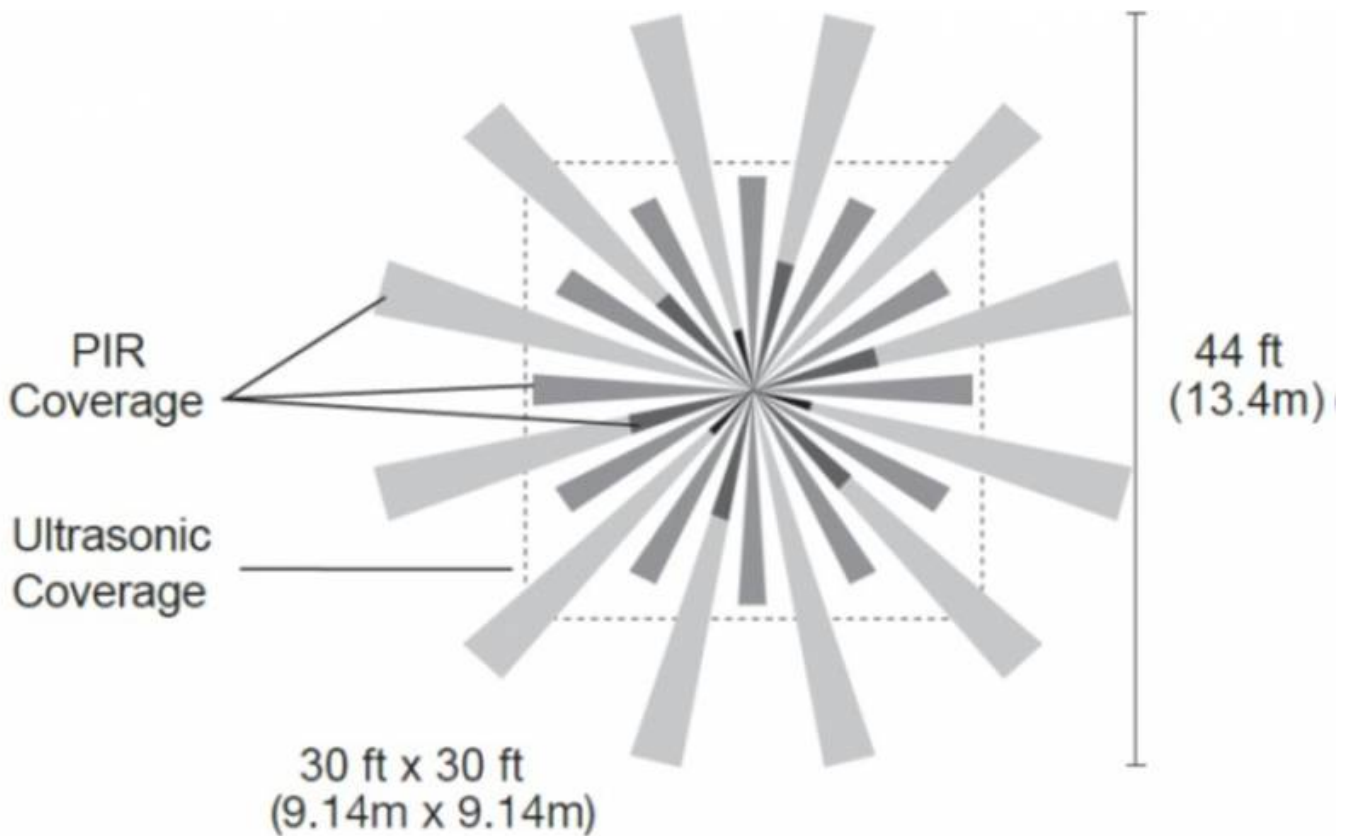
## Technical specifications

Power supply	24 VDC
Currentconsumption	20mA
Temperature	-0°C ~ 55°C
Humidity	< 93% non condensing
Output contact rating	100,000 cycles @ 24 VDC, < 9mA
Range	9m US, 12m PIR(Adjustable)
Installing height	Max. 3.5 m
Detection	360 deg

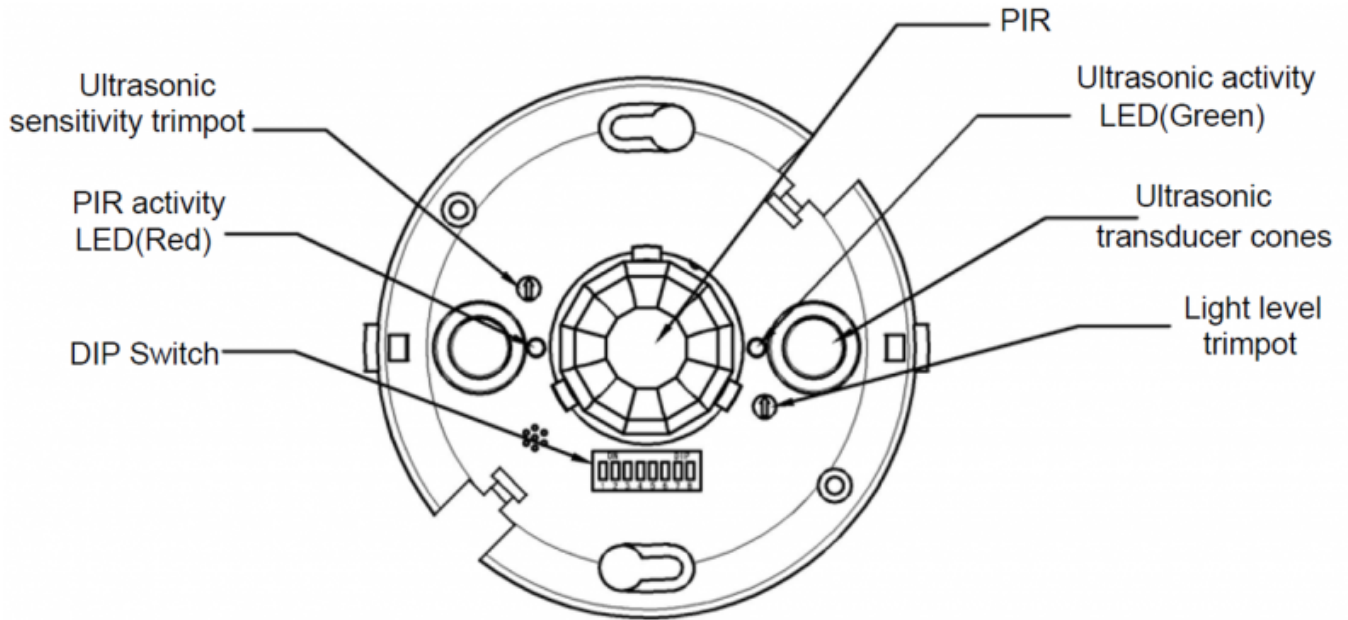
# Dimension



# Range and detection pattern



# Adjustments



## DIP switch settings

Trigger Mode	Initial Trigger	Maintain Load Output	2	3	4
Option 1	Both	Either	↓	↓	↓
Option 2	Either	Either	↓	↓	↑
Option 3	PIR	Either	↓	↑	↓
Option 4	PIR	PIR	↓	↑	↑
Option 5	Ultrasonic	Ultrasonic	↑	↓	↓
Option 6	Both	Both	↑	↓	↑



PIR Sensitivity	1
50%	↓
100%	↑



Override	8
Disabled	↓
Enabled	↑

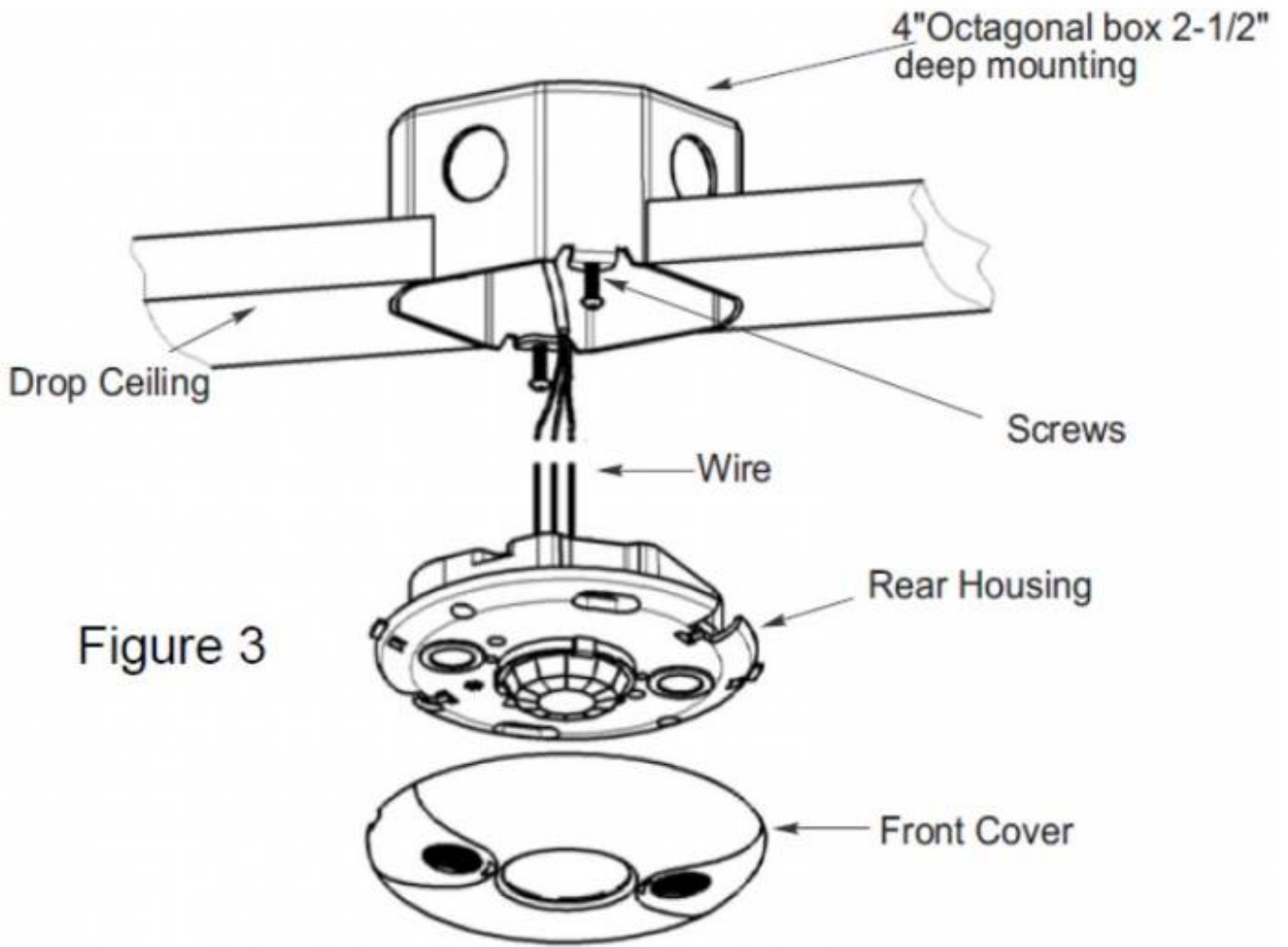


Time Delay	5	6	7
5 Sec/Autoset	↓	↓	↓
30 Seconds	↓	↓	↑
5 Minutes	↓	↑	↓
10 Minutes	↓	↑	↑
15 Minutes	↑	↓	↓
20 Minutes	↑	↓	↑
25 Minutes	↑	↑	↓
30 Minutes	↑	↑	↑



↓ = OFF    ↑ = ON    ◀ = Factory Setting

# Mounting



# Terminals

Power supply	<b>+ Red</b>	Power supply
Common	<b>- Black</b>	
Signal	<b>+ Blue</b>	Output

From:  
<http://wiki.hiq-universe.com/> -

Permanent link:  
[http://wiki.hiq-universe.com/doku.php?id=en:ms\\_main:diu-9-lc&rev=1605649568](http://wiki.hiq-universe.com/doku.php?id=en:ms_main:diu-9-lc&rev=1605649568)

Last update: **2020/11/17 21:46**

