

Motion sensor

Dual technology PIR/Ultrasonic motion detector ceiling recessed



| | |
|---------------|-----------------|
| Model number: | DIU-9-LC |
| Connects to: | digital input |
| Mounting: | Wall or ceiling |

Applications

- Occupancy detector
- Ready light
- Lighting control
- Hotel GRMS

Ultrasonic sensors are highly suitable for spaces in which a line of sight is not possible, such as partitioned spaces, and in spaces requiring a higher level of sensitivity. Examples of such spaces include restrooms, open offices, enclosed hallways and stairways.

Installation instruction

- Ensure that there are no obstructions (plants, screens, furniture etc.) in the field of view that may cause incorrect cover/operation of the detector.
- Install the detector at proper height on a rigid surface. Do not install the detector on vibrating surface.

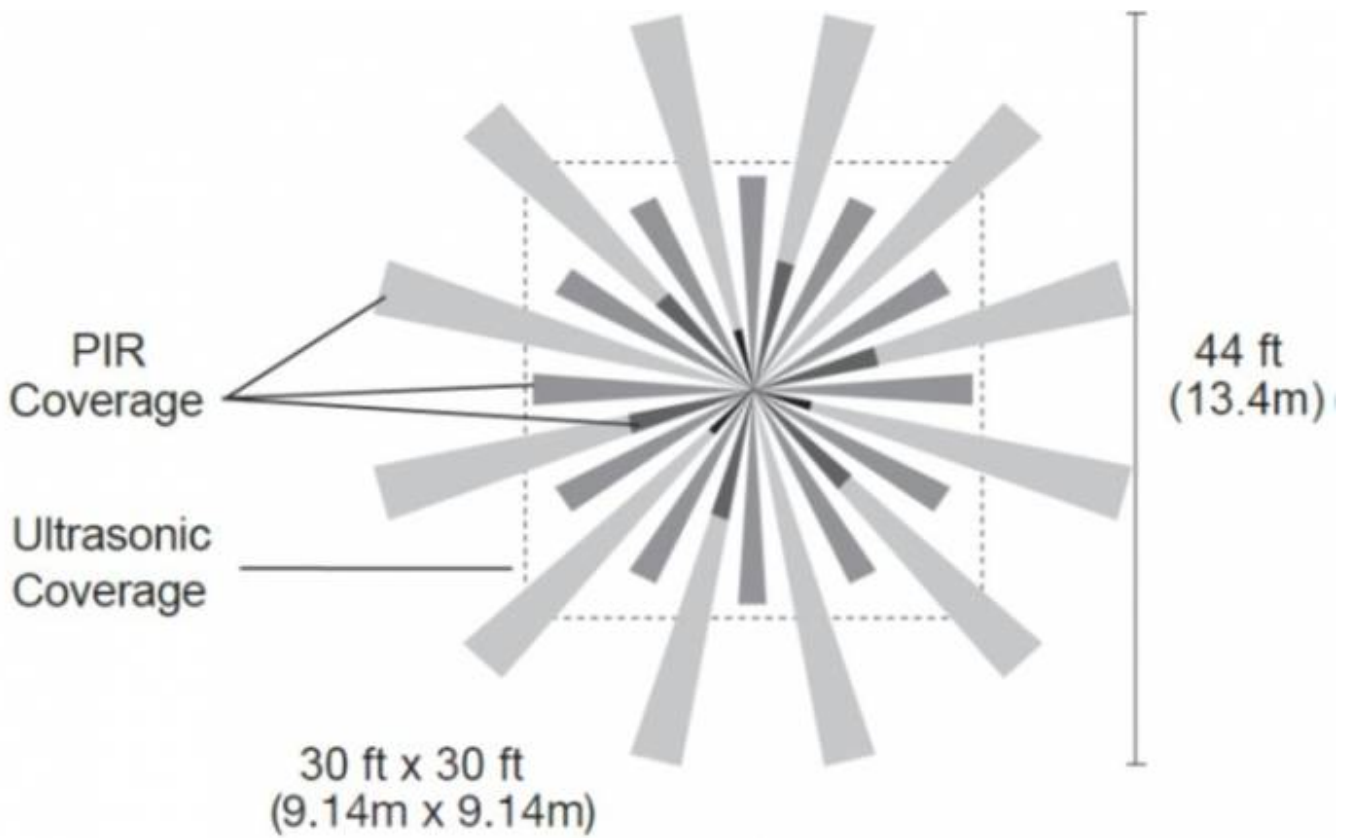
Technical specifications

| | |
|-----------------------|--------------------------------|
| Power supply | 24 VDC |
| Current consumption | 20mA |
| Temperature | -0°C ~ 55°C |
| Humidity | < 93% non condensing |
| Output contact rating | 100,000 cycles @ 24 VDC, < 9mA |
| Range | 9m US, 12m PIR(Adjustable) |
| Installing height | Max. 3.5 m |
| Detection | 360 deg |

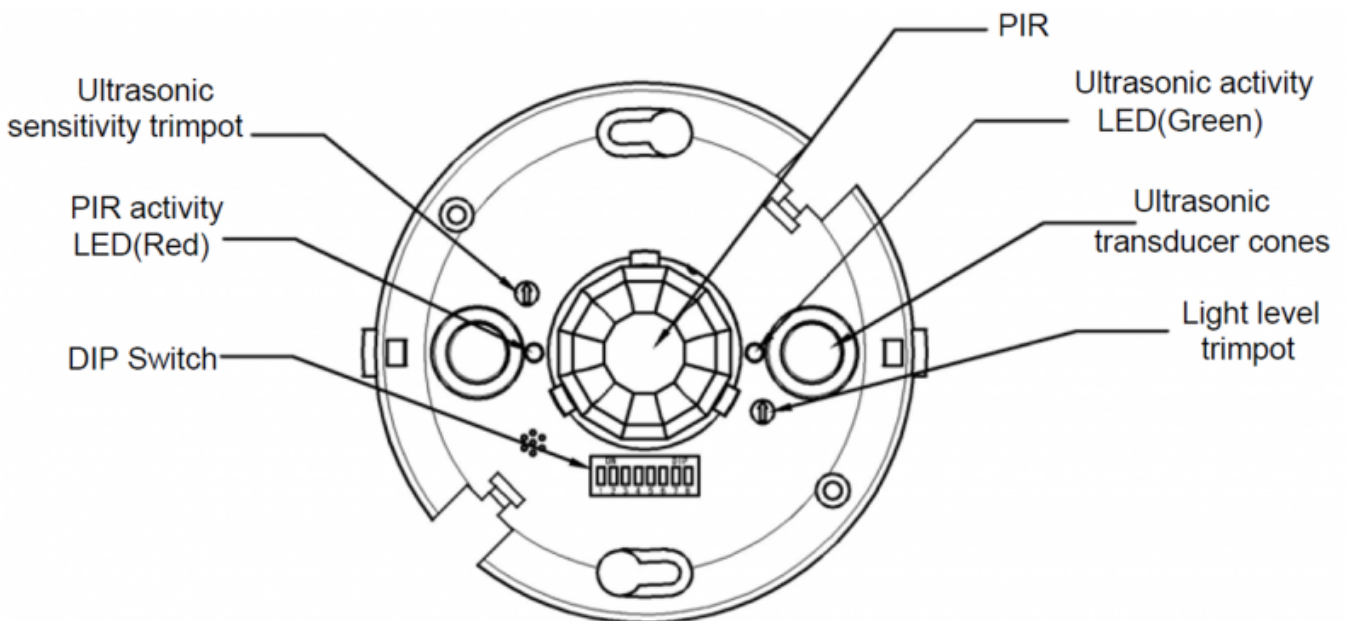
Dimension



Range and detection pattern



Adjustments



DIP switch settings

| Trigger Mode | Initial Trigger | Maintain Load Output | 2 | 3 | 4 |
|--------------|-----------------|----------------------|---|---|---|
| Option 1 | Both | Either | ↓ | ↓ | ↓ |
| Option 2 | Either | Either | ↓ | ↓ | ↑ |
| Option 3 | PIR | Either | ↓ | ↑ | ↓ |
| Option 4 | PIR | PIR | ↓ | ↑ | ↑ |
| Option 5 | Ultrasonic | Ultrasonic | ↑ | ↓ | ↓ |
| Option 6 | Both | Both | ↑ | ↓ | ↑ |

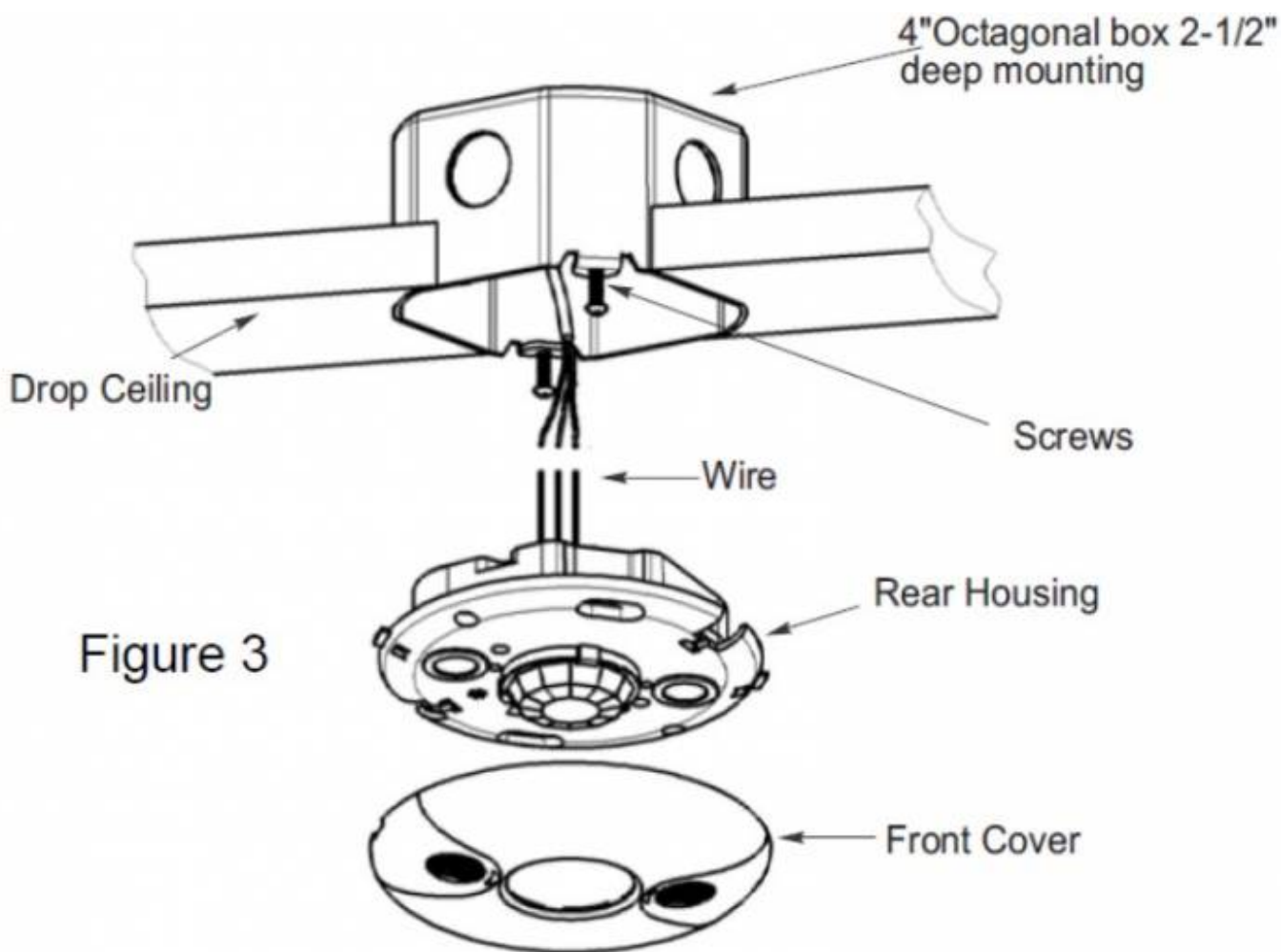
| PIR Sensitivity | 1 |
|-----------------|---|
| 50% | ↓ |
| 100% | ↑ |

| Override | 8 |
|----------|---|
| Disabled | ↓ |
| Enabled | ↑ |

| Time Delay | 5 | 6 | 7 |
|---------------|---|---|---|
| 5 Sec/Autoset | ↓ | ↓ | ↓ |
| 30 Seconds | ↓ | ↓ | ↑ |
| 5 Minutes | ↓ | ↑ | ↓ |
| 10 Minutes | ↓ | ↑ | ↑ |
| 15 Minutes | ↑ | ↓ | ↓ |
| 20 Minutes | ↑ | ↓ | ↑ |
| 25 Minutes | ↑ | ↑ | ↓ |
| 30 Minutes | ↑ | ↑ | ↑ |

↓ = OFF ↑ = ON ◀ = Factory Setting

Mounting



Terminals

| | | |
|--------------|----------------|--------------|
| Power supply | + Red | Power supply |
| Common | - Black | |
| Signal | + Blue | Output |

From:
<http://wiki.hiq-universe.com/> -

Permanent link:
http://wiki.hiq-universe.com/doku.php?id=en:ms_main:diu-9-1c&rev=1605650896

Last update: 2020/11/17 22:08

