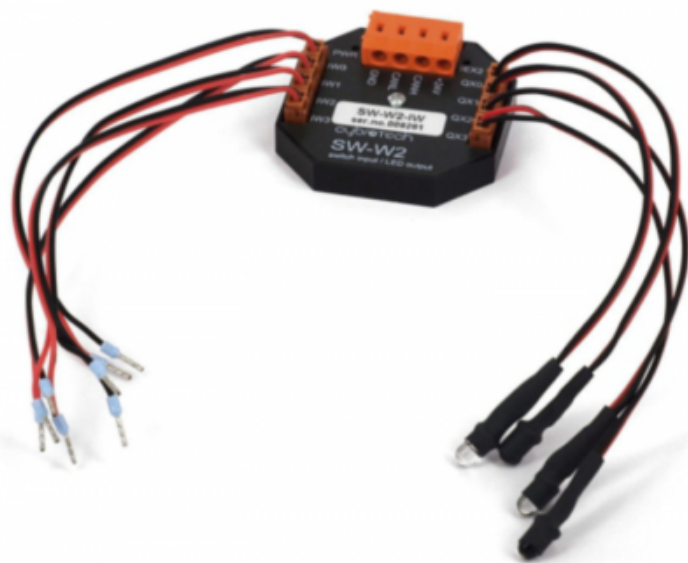


# 4 switch or potentiometer input



Model number:	<b>SW-W3-IQ</b>
Mounting:	in-wall, in junction box behind scene buttons
Dimensions:	50×50×15mm

## Applications

- 4 Push buttons or Motion sensor inputs
- Individual light / dimmer button
- Blinds up/down button

## Features

- configurable button action:
  - on/off
  - dimmer push button (on/off and 0..100%)
  - blinds up/down

## General description

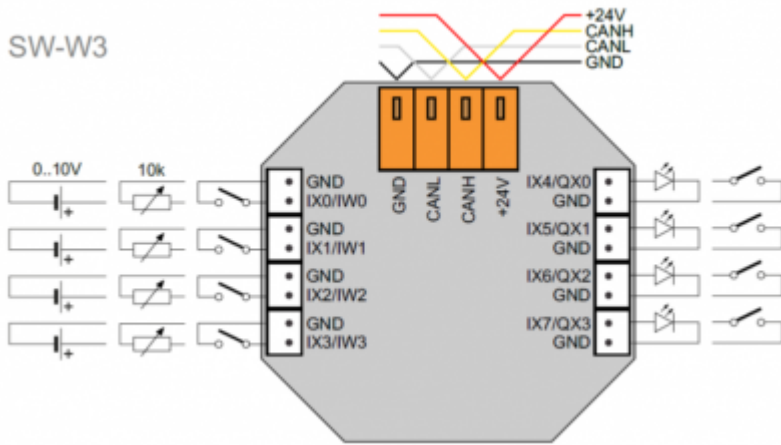
SW-W3-IQ is in wall compact remote input module. Any kind of push-button design can be used.

## Technical specification

LED outputs:	10 mA, PWM dimmable
Inputs:	internal pull-up 12V, 2 mA
Power supply:	24V/35mA
Ingress protection:	IP20
Operating temperature:	0..45°C
Storage temperature:	-20..75°C

Relative humidity:	0..95% n/c
--------------------	------------

# Terminals



From:  
<http://wiki.hiq-universe.com/> -

Permanent link:  
[http://wiki.hiq-universe.com/doku.php?id=en:ms\\_main:sw-w3&rev=1587441962](http://wiki.hiq-universe.com/doku.php?id=en:ms_main:sw-w3&rev=1587441962)

Last update: **2020/04/21 04:06**

