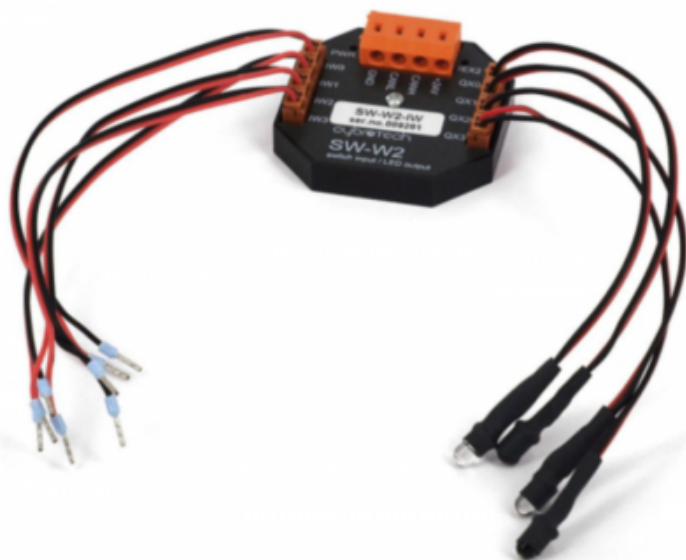


4 switch or potentiometer input



Model number:	SW-W3-IQ
Mounting:	in-wall, in junction box behind scene buttons
Dimensions:	50×50×15mm

Applications

- 4 Push buttons or Motion sensor inputs
- Individual light / dimmer button
- Blinds up/down button

Features

- configurable button action:
 - on/off
 - dimmer push button (on/off and 0..100%)
 - blinds up/down

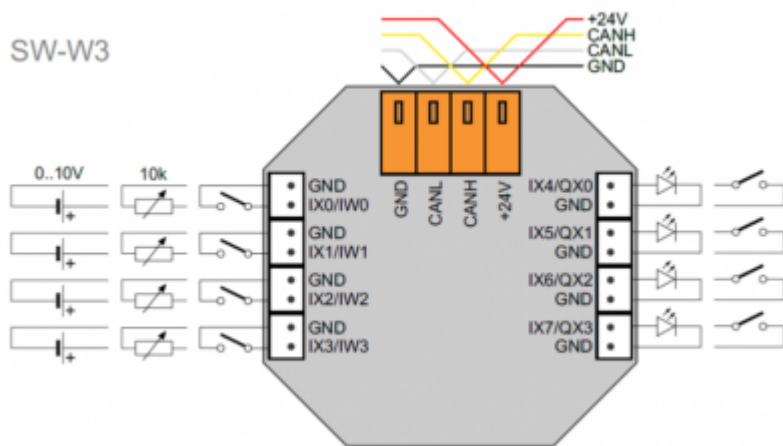
General description

SW-W3-IQ is in wall compact remote input module. Any kind of push-button design can be used.

Technical specification

LED outputs:	10 mA, PWM dimmable
Inputs:	internal pull-up 12V, 2 mA
Power supply:	24V/35mA
Ingress protection:	IP20
Operating temperature:	0..45°C
Storage temperature:	-20..75°C
Relative humidity:	0..95% n/c

Terminals



From: <http://wiki.hiq-universe.com/> -

Permanent link: http://wiki.hiq-universe.com/doku.php?id=en:ms_main:sw-w3&rev=1587442079

Last update: 2020/04/21 04:07

