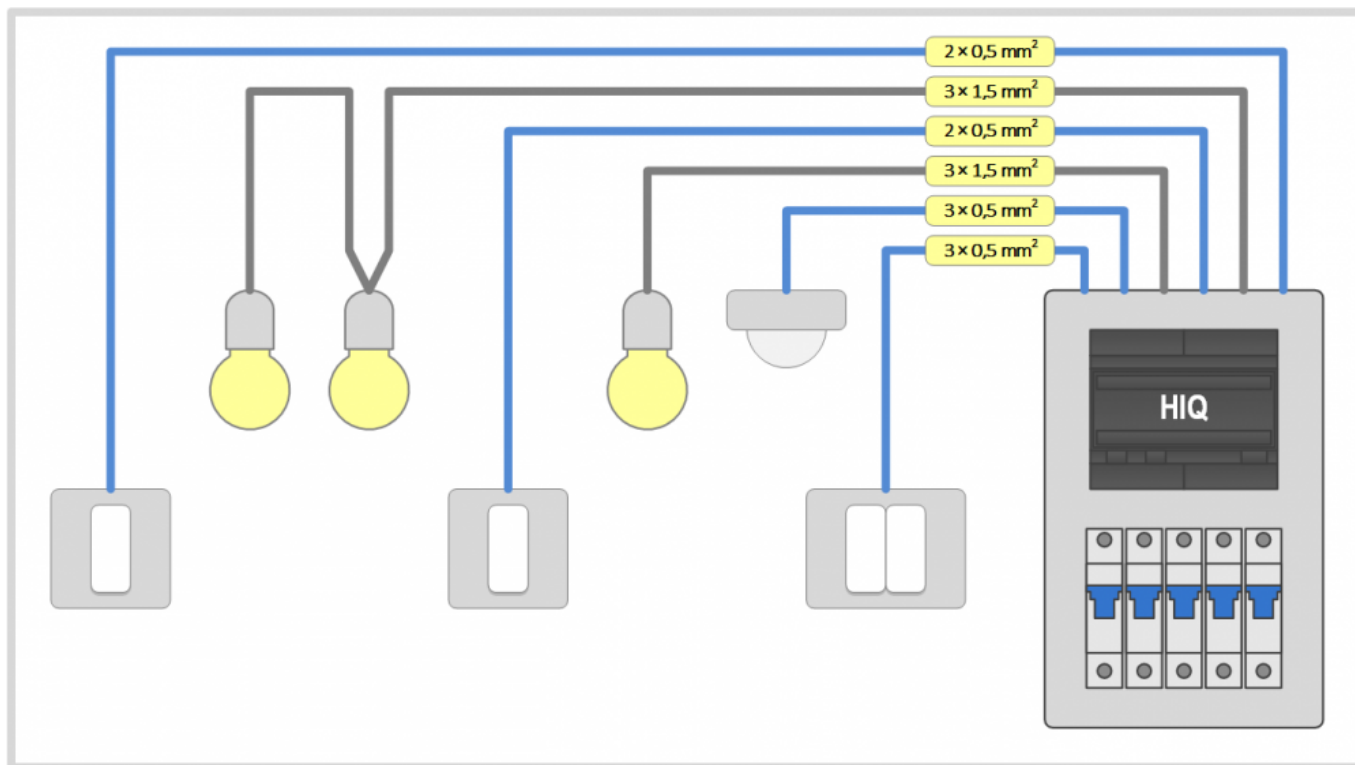


Devices wiring

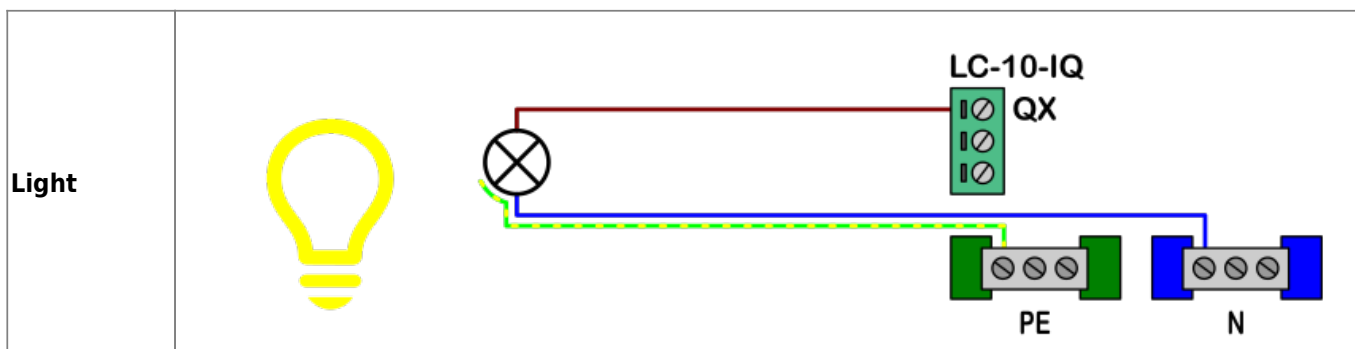
Discrete (on/off) & Dimmable lights

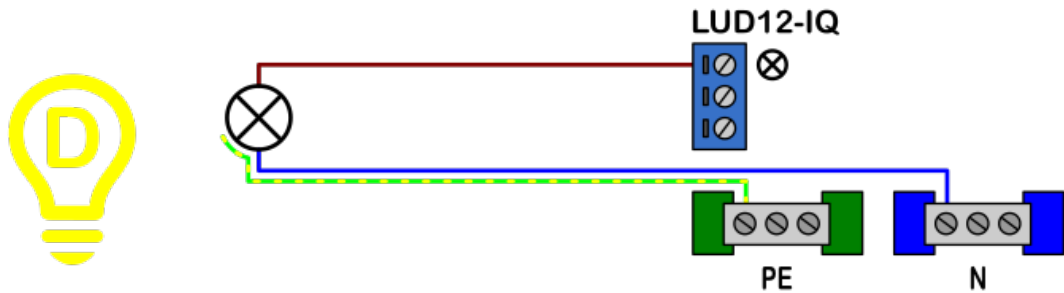
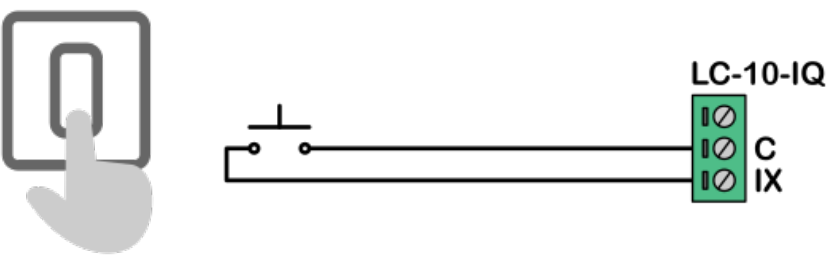
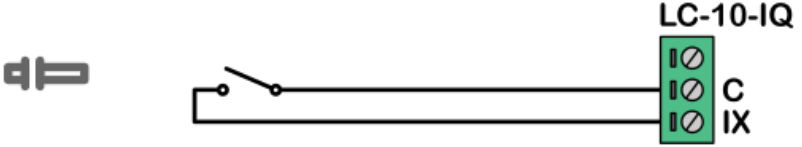
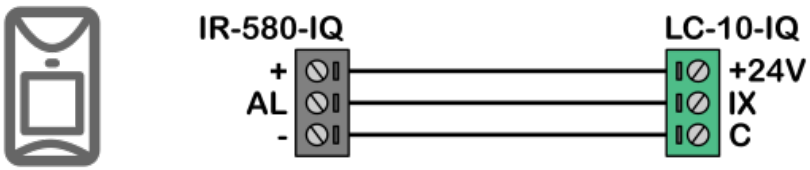
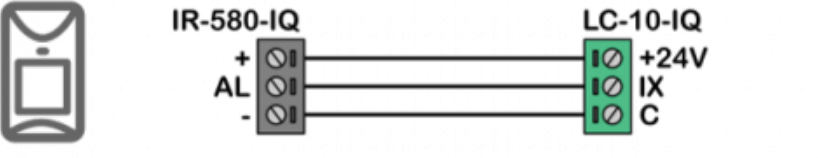
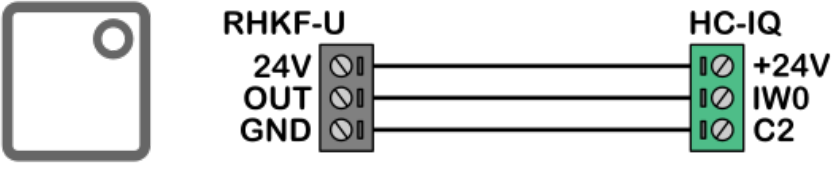


Individual lights (or hard-wired light groups) are wired directly to the distribution box with an appropriate wire gauge (usually $3 \times 1,5 \text{ mm}^2$).

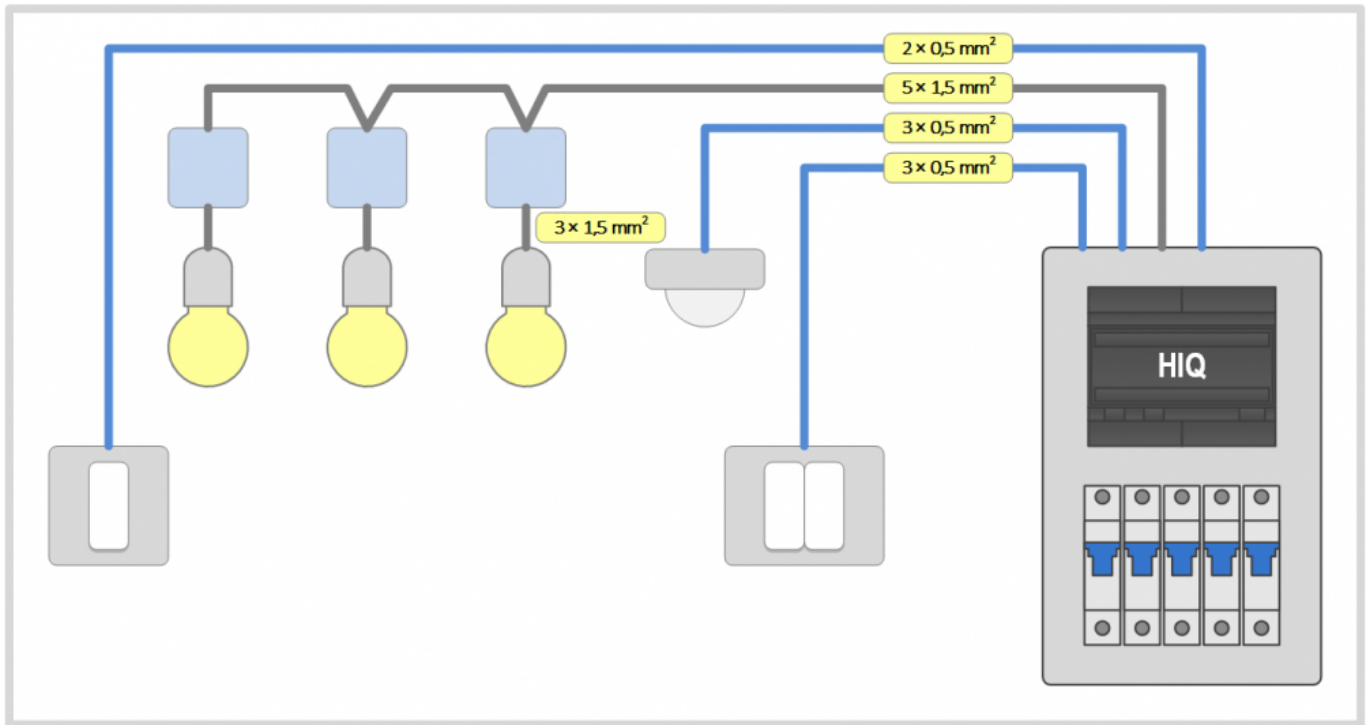
Push-button flush boxes are wired directly to the distribution box with signal wires. One wire for each push-button and one common wire (for 3 push-buttons: $4 \times 0,5 \text{ mm}^2$). Push buttons that are controlling same light are connected to the same input in parallel.

Sensors are wired directly to distribution box. More sensors can be used for same light. Presence sensors must be wired in **parallel**, read sensors in **series**.



<p>Dimmable light</p>	
<p>Push-button</p>	
<p>Door / window reed sensor</p>	
<p>PIR motion sensor</p>	
<p>PIR motion sensor</p>	
<p>Light sensor</p>	

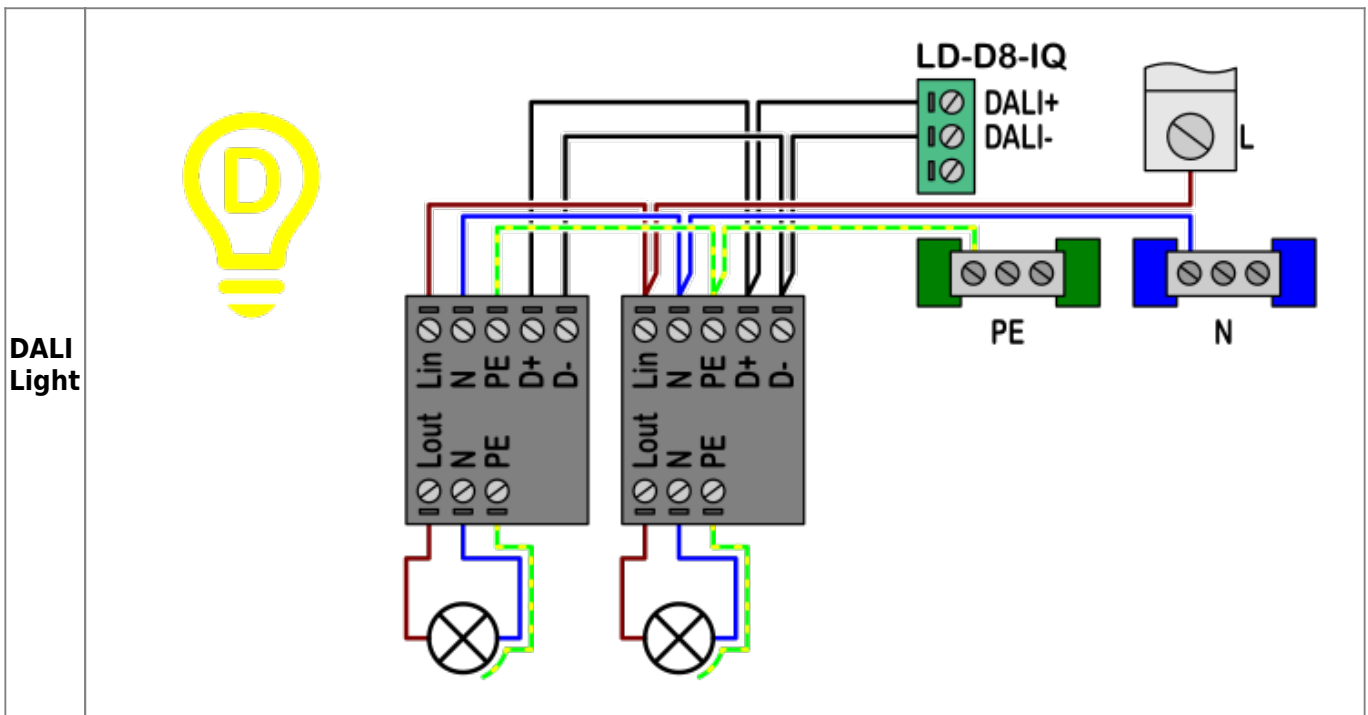
DALI dimmable lights



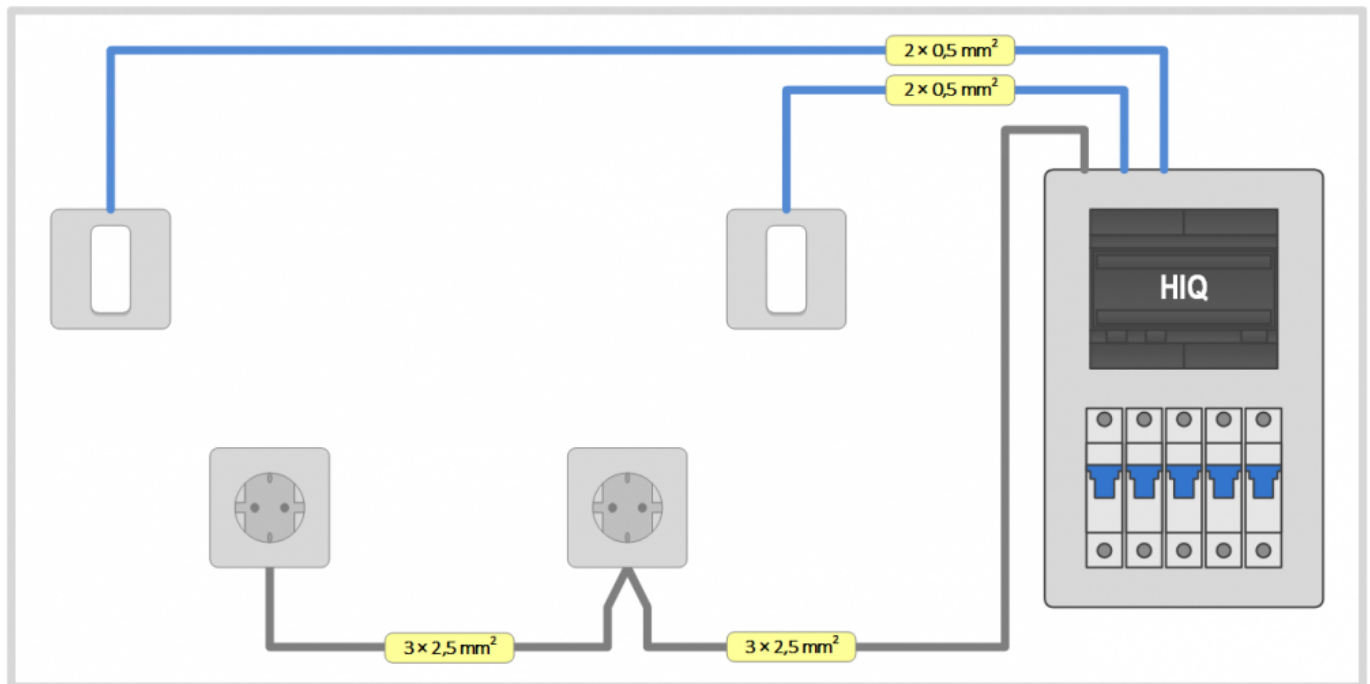
All light ballasts are wired to DALI bus with an appropriate wire gauge (usually 5 × 1,5 mm²)

Push-button flush boxes are wired directly to the distribution box with signal wires. One wire for each push-button and one common wire (for 3 push-buttons: 4 × 0,5 mm²)

Sensors are wired directly to the distribution box. More sensors can be used for the same light. Presence sensors must be wired in **parallel**, read sensors in **series**.



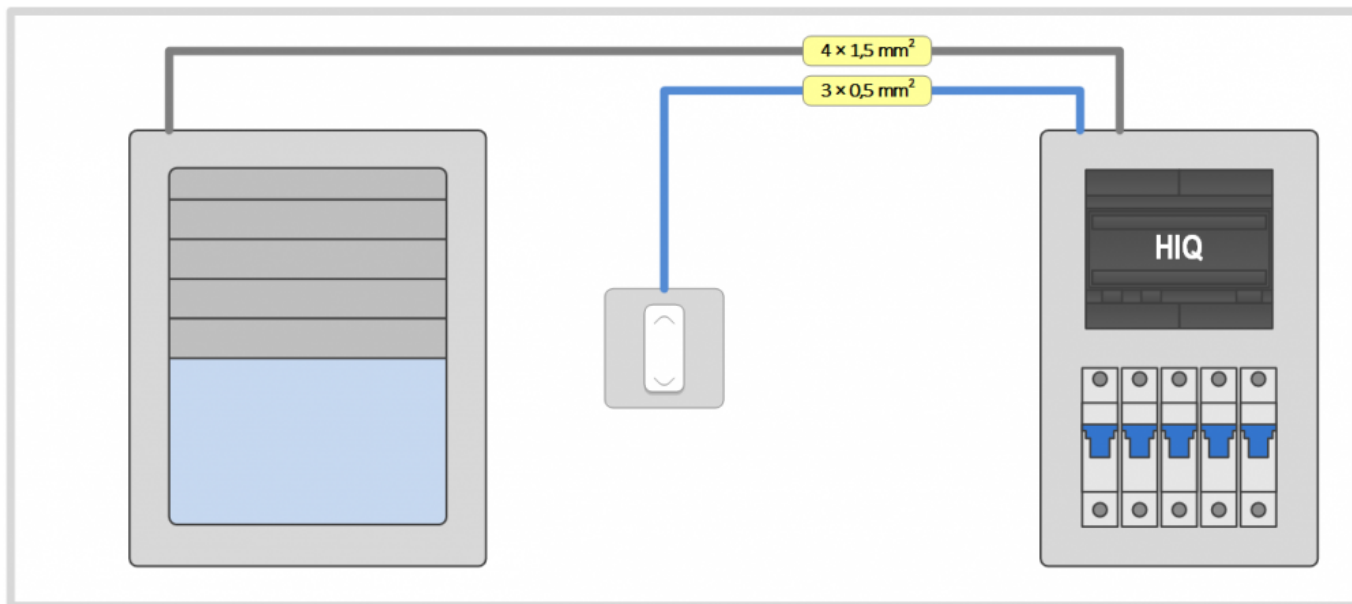
Group managed sockets



Sockets group is wired to the distribution box with an appropriate wire gauge (usually $3 \times 2,5 \text{ mm}^2$)

Push-button flush boxes are wired directly to the distribution box with signal wires. One wire for each push-button and one common wire (for 3 push-buttons: $4 \times 0,5 \text{ mm}^2$)

Blinds motors

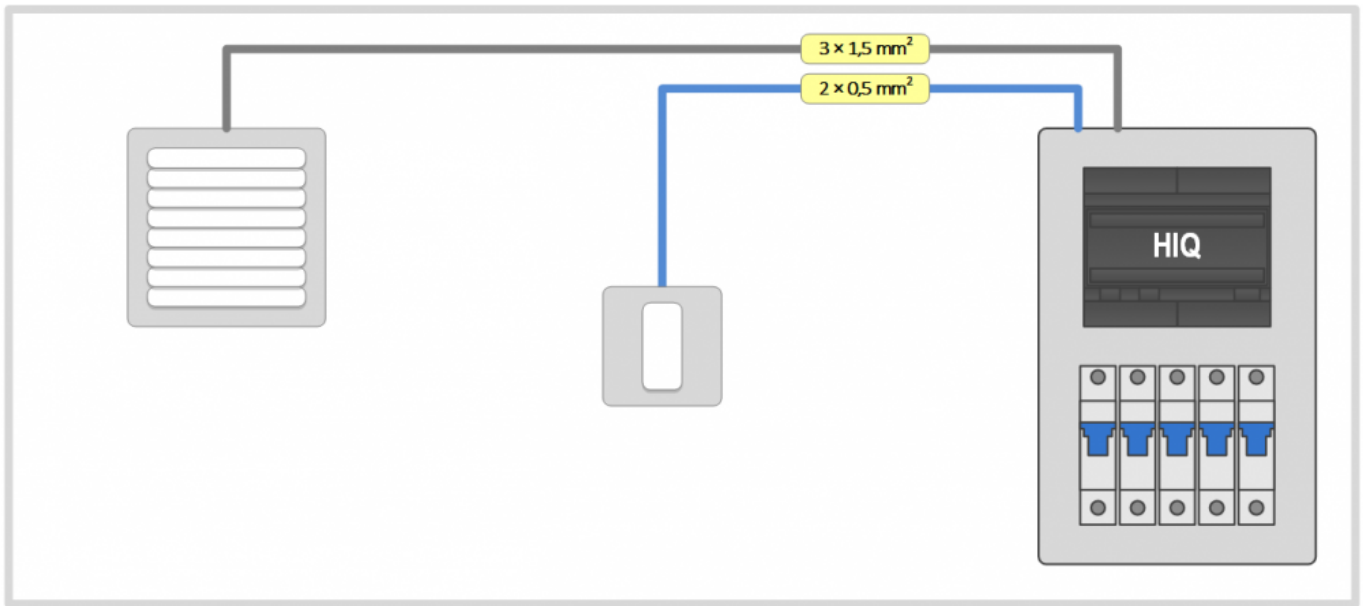


Blind motors are wired directly to the distribution box with an appropriate wire gauge (usually 4 x 1,5 mm²)

Push-button flush boxes are wired directly to the distribution box with signal wires. One wire for each push-button and one common wire (for 2 push-buttons (up/down)): 3 x 0,5 mm²

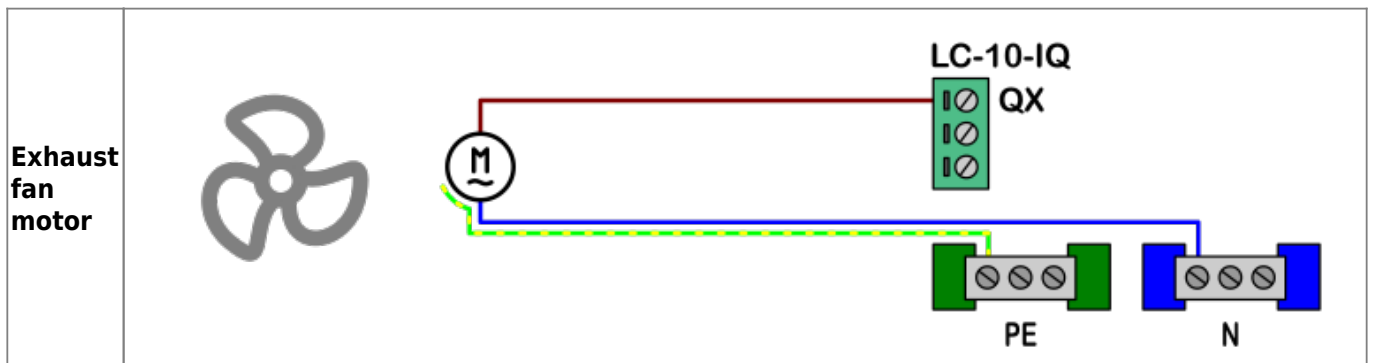
<p>Blinds motor</p>	
<p>Blinds push-buttons</p>	

Exhaust fan

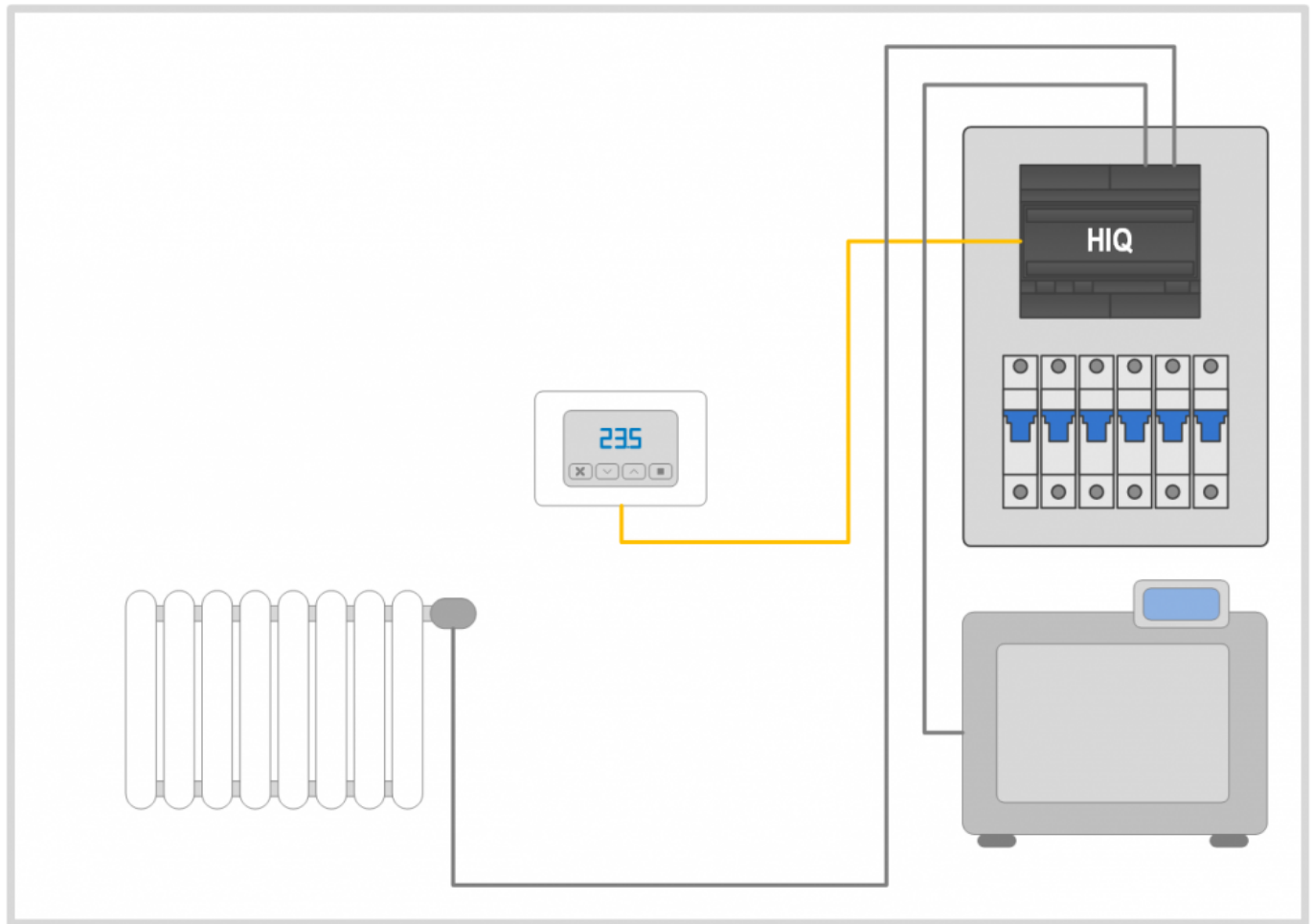


Exhaust fans are wired directly to the distribution box with an appropriate wire gauge (usually 3 x 1,5 mm²)

Push-button flush boxes are wired directly to the distribution box with signal wires. One wire for each push-button and one common wire (for 1 push-button: 2 x 0,5 mm²)

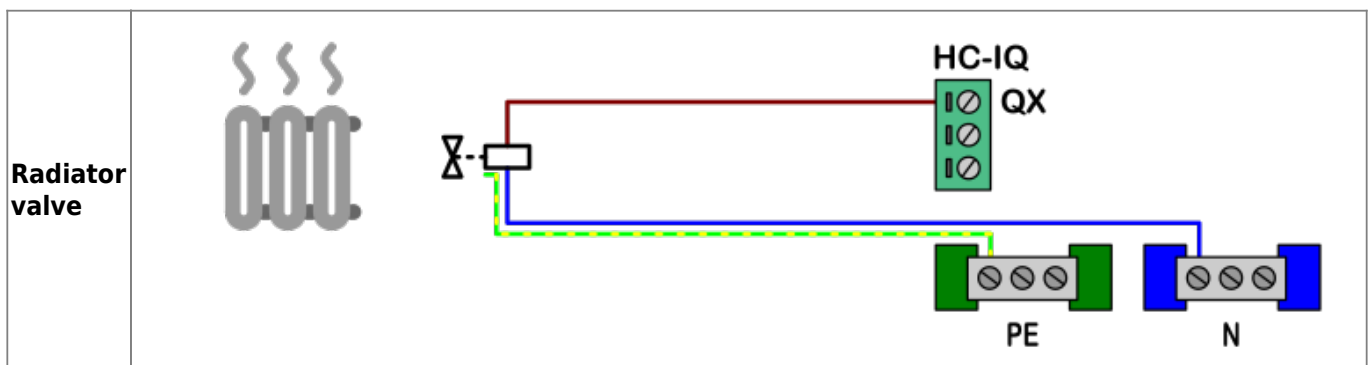


HVAC

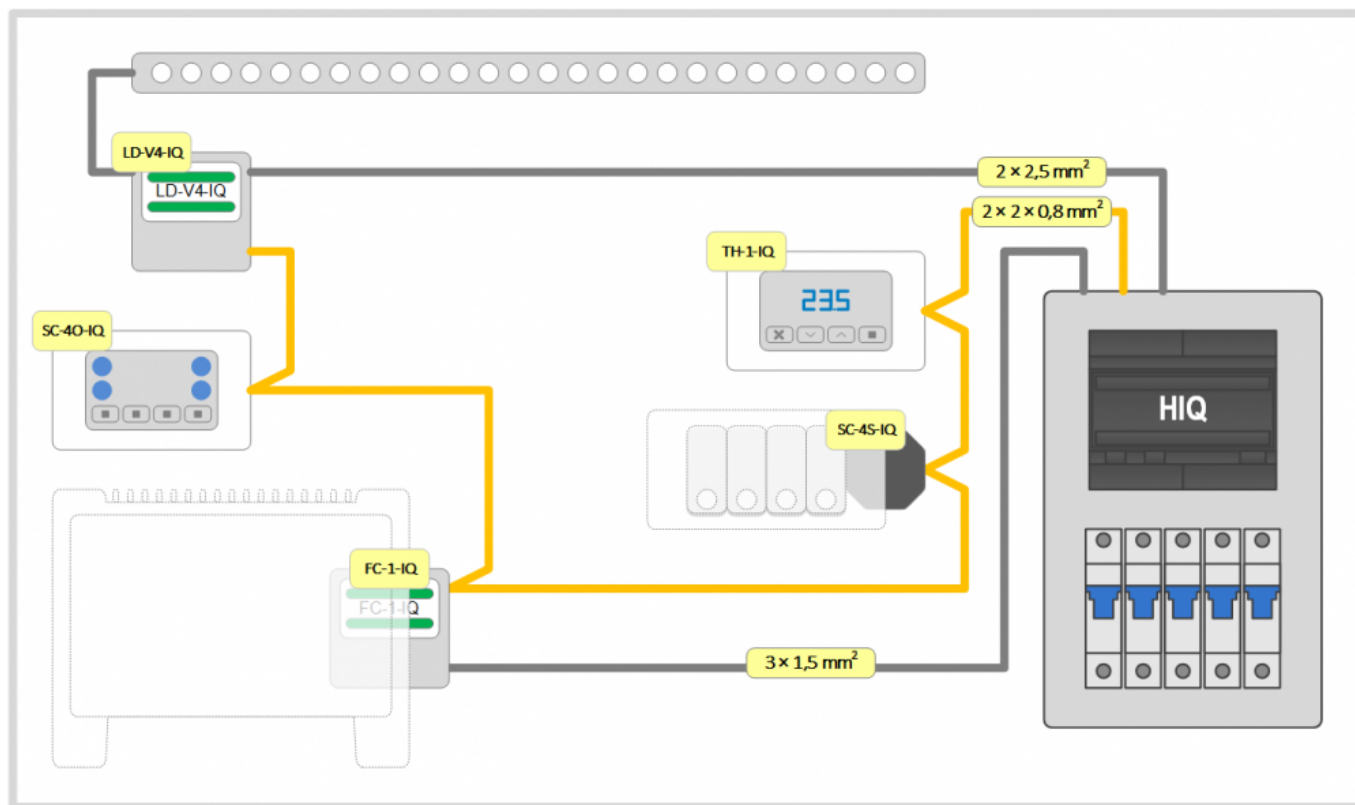


Radiator valves and boiler enable signal are wired directly to the distribution box with an appropriate wire gauge (usually $3 \times 1,5 \text{ mm}^2$)

Thermostat is field module - see [Field modules wiring](#).

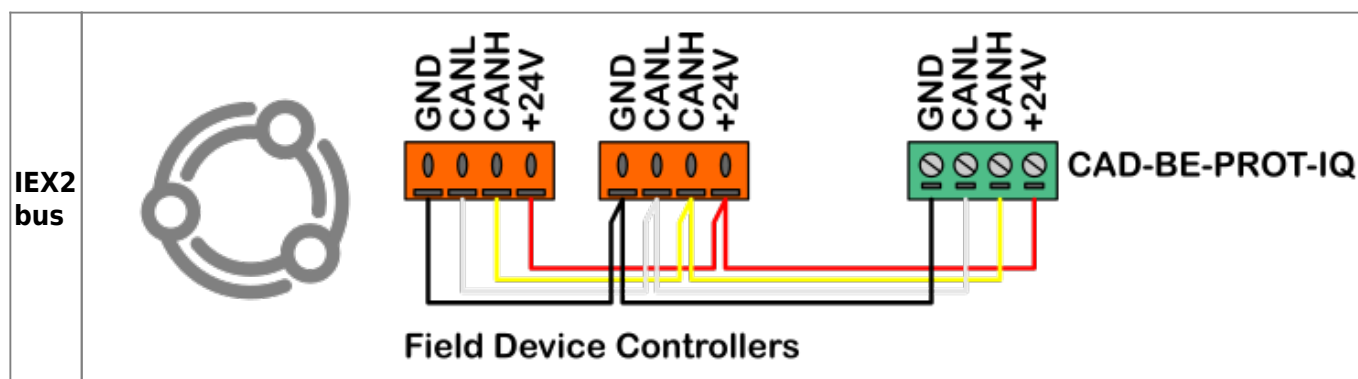


Field modules



Applies to:

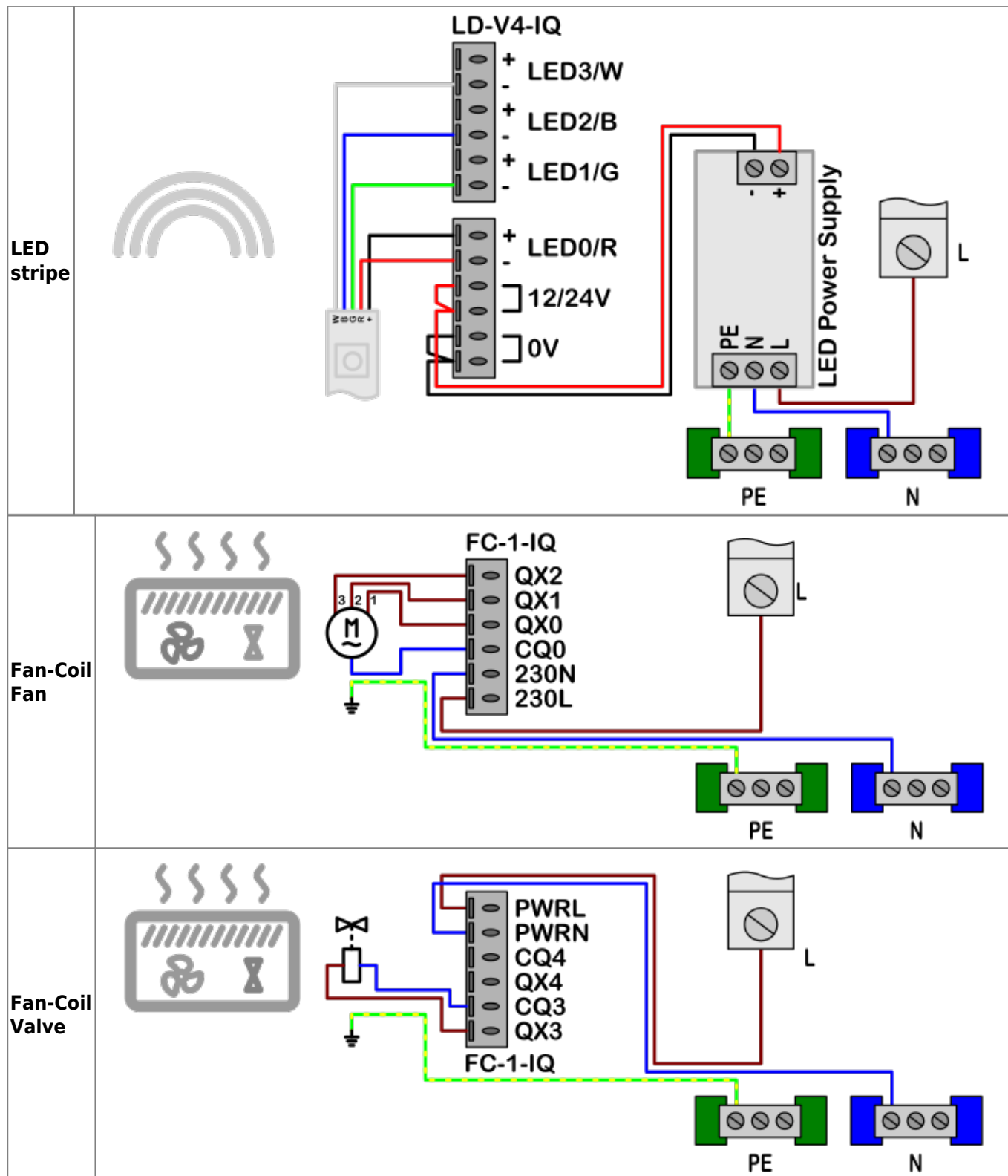
- Light controller
 - LD-V4-IQ
- Scene controllers
 - SC-4T-IQ
 - SC-40-IQ
 - SC-4S-IQ
- HVAC controllers
 - TH-1M-IQ
 - TH-1T-IQ
 - TH-2-IQ
 - TH-3-IQ
- HVAC actuators
 - FC-1-IQ



All field modules are connected to the IEX bus with 2 x 2 x 0,8 mm² cable.

Some devices controlled by Field modules needs additional power supply:

- LD-V4-IQ need LED power supply; 12 or 24V DC depending of LED stripe type
- FC-1-IQ need fan-coil motor and valve power supply; see fan-coil documentation - usually 230V AC



From:

<http://wiki.hiq-universe.com/> -

Permanent link:

http://wiki.hiq-universe.com/doku.php?id=en:ms_main:wiring&rev=1589571301

Last update: **2020/05/15 19:35**

