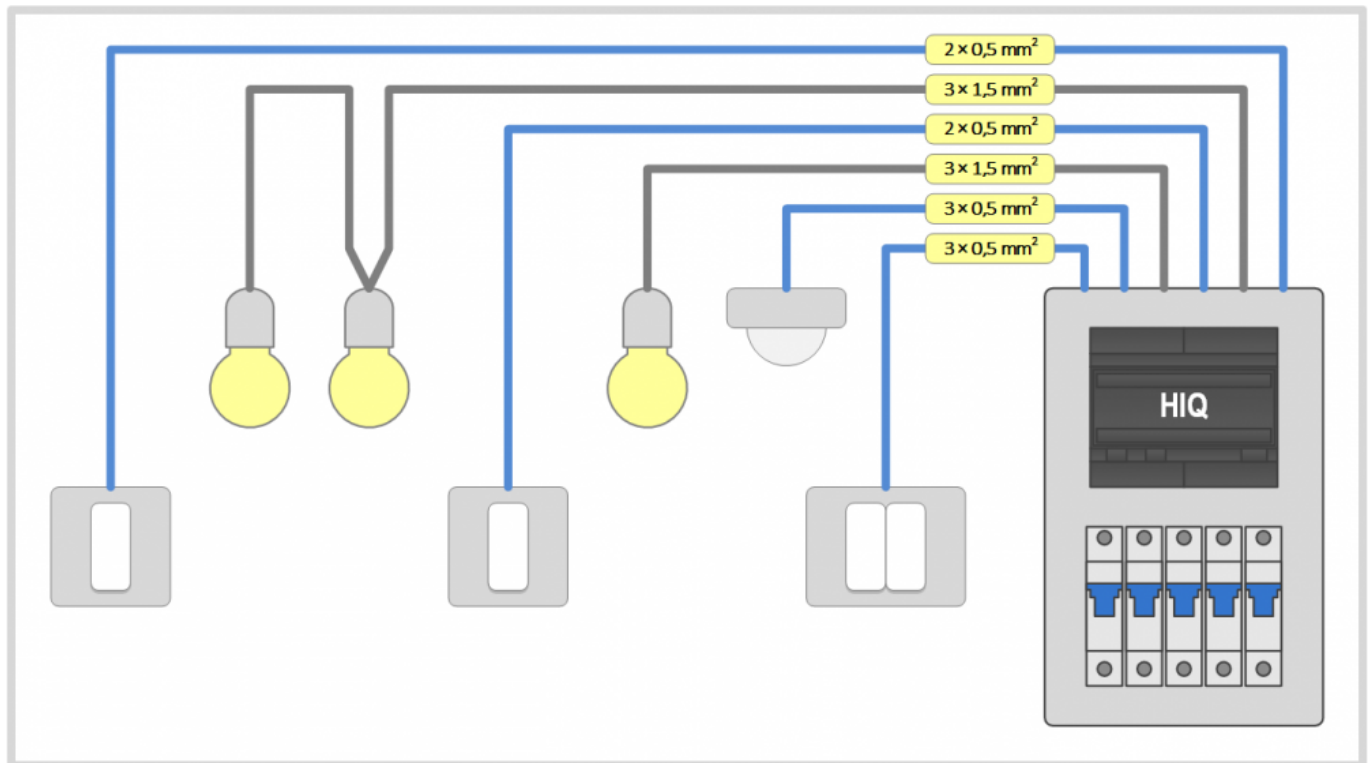


LCS Devices wiring

Discrete (on/off) & Dimmable lights



Individual lights (or hard-wired light groups) are wired directly to the distribution box with an appropriate wire gauge (usually $3 \times 1,5 \text{ mm}^2$).

Push-button flush boxes are wired:

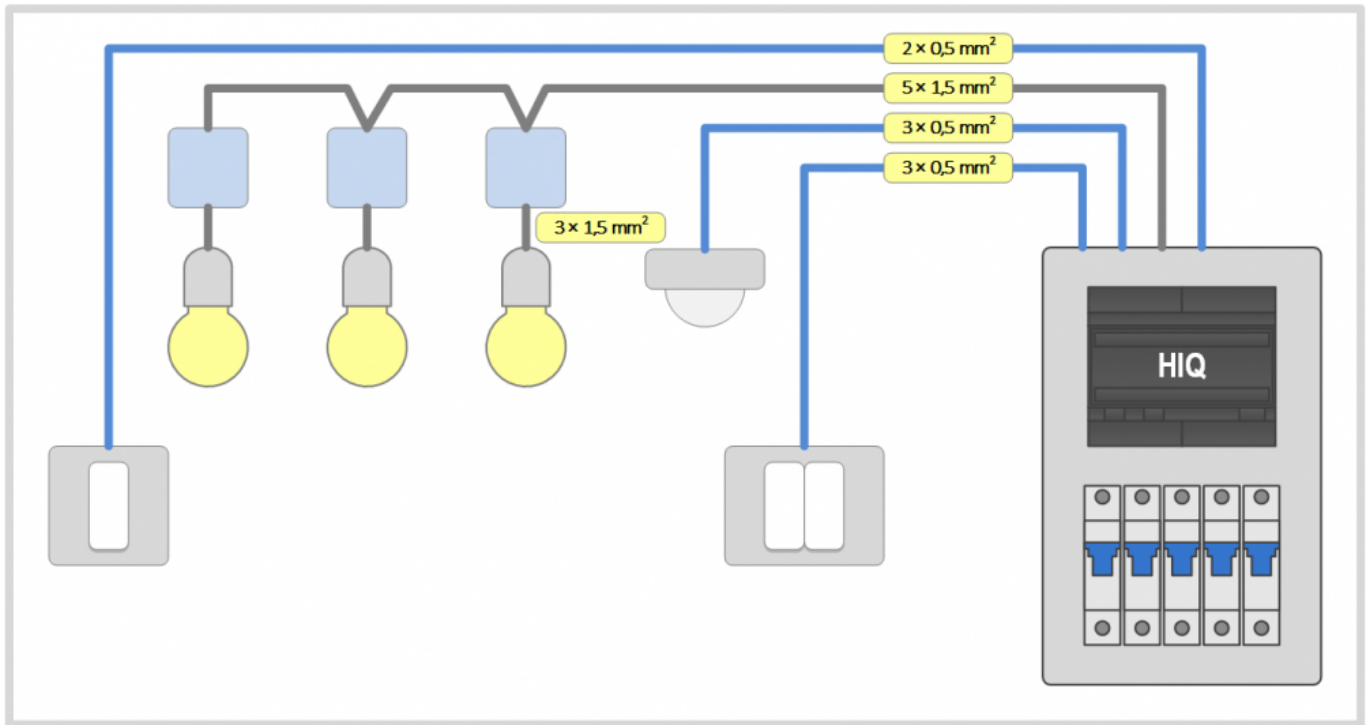
- directly to the distribution box with signal wires. One wire for each push-button and one common wire (for 3 push-buttons: $4 \times 0,5 \text{ mm}^2$). Push buttons that are controlling same light are connected to the same input in parallel
- directly to the distribution box with Cat5+ cable. Up to four buttons on one Cat5+ cable. One core wire for each push-button and one twisted pair for common (for 4 push-buttons: Cat 5+²). Push buttons that are controlling same light are connected to the same input in parallel.

Motion sensors are wired:

- directly to the distribution box with signal wires. One wire for each sensor and one common wire (for 3 push-buttons: $4 \times 0,5 \text{ mm}^2$). Sensors that are controlling same light are connected to the same input in parallel.
- directly to the distribution box with Cat5+ cable. Up to four sensors on one Cat5+ cable. One core wire for each sensor, one twisted pair for +24 VDC power supply and one twisted pair for 0 VDC (ground) power supply (for 4 sensors: Cat 5+²). Sensors that are controlling same light are connected to the same input in parallel. More sensors can be used for the same light.

<p>Light</p>	
<p>Dimmable light</p>	
<p>Push-button</p>	
<p>Door / window reed sensor</p>	
<p>PIR motion sensor</p>	
<p>Light sensor</p>	

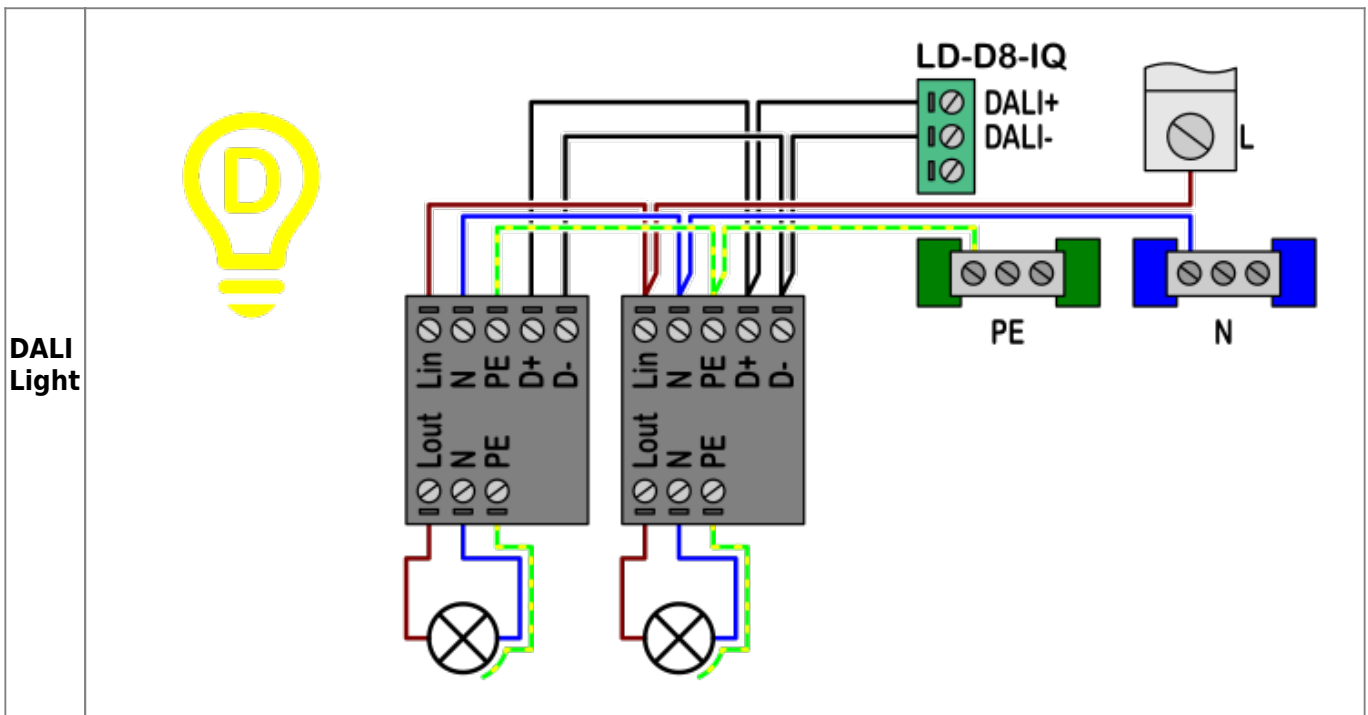
DALI dimmable lights



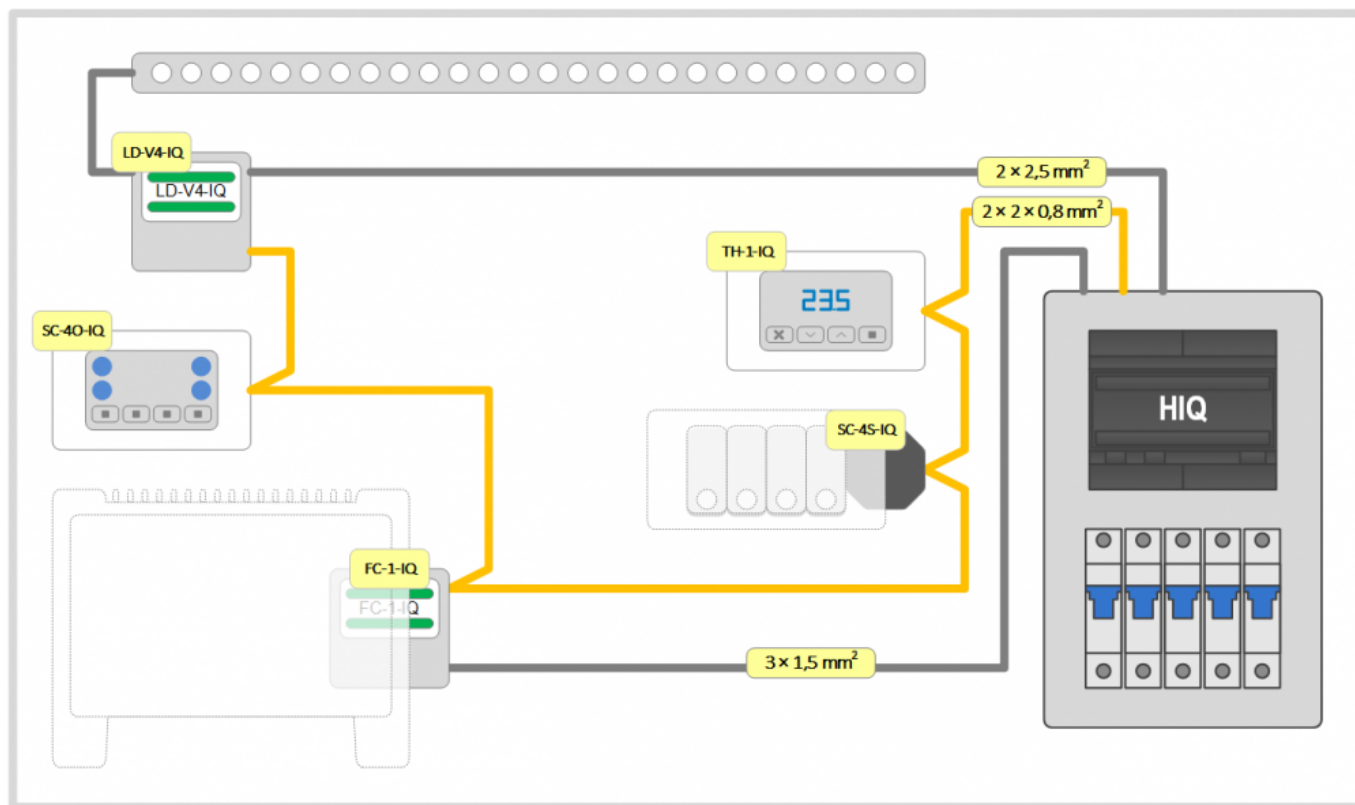
All light ballasts are wired to DALI bus with an appropriate wire gauge (usually $5 \times 1,5 \text{ mm}^2$)

Push-button flush boxes are wired directly to the distribution box with signal wires. One wire for each push-button and one common wire (for 3 push-buttons: $4 \times 0,5 \text{ mm}^2$)

Sensors are wired directly to the distribution box. More sensors can be used for the same light. Presence sensors must be wired in **parallel**, read sensors in **series**.

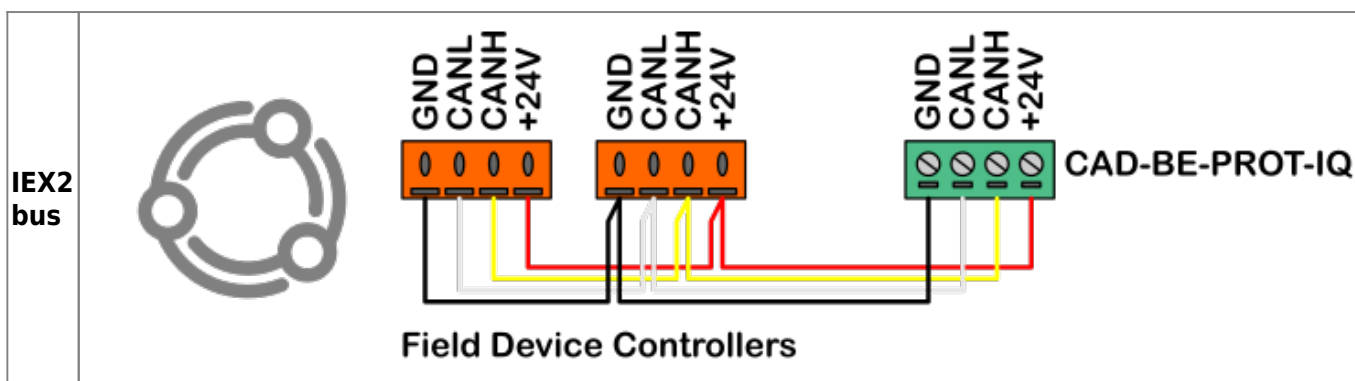


Field modules



Applies to:

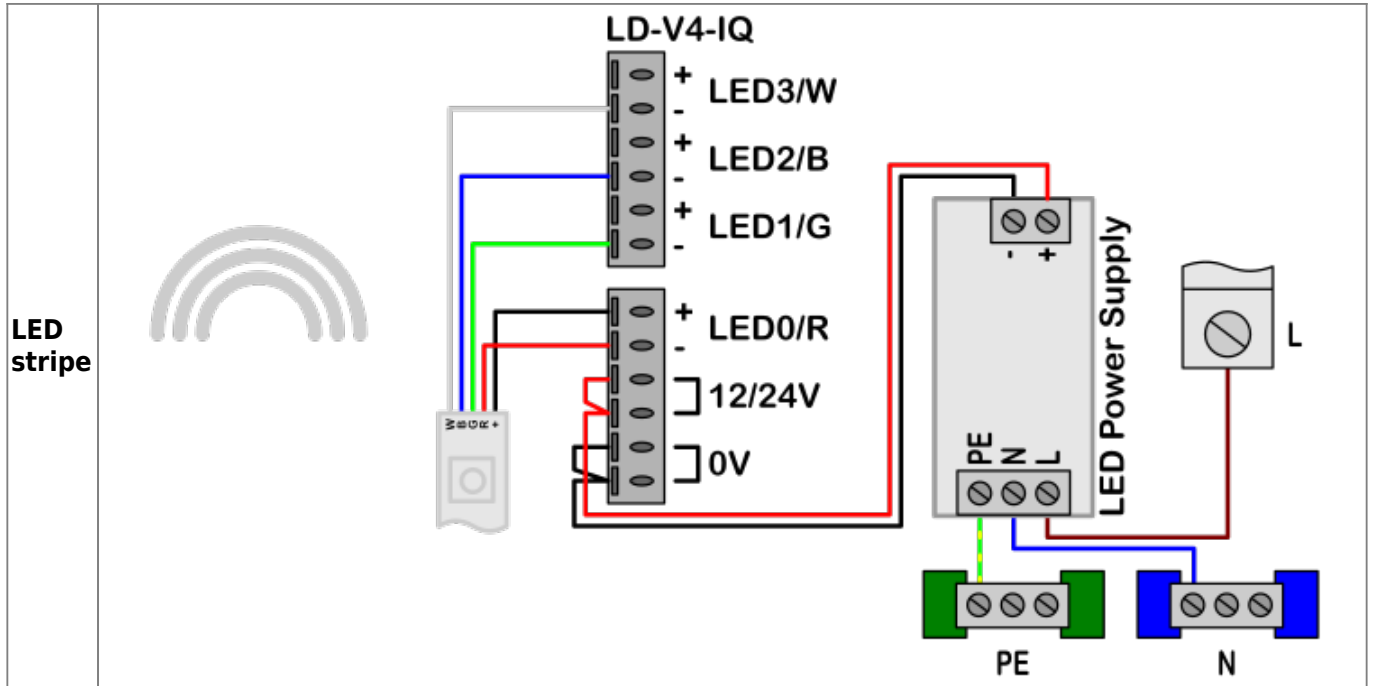
- Light controller
 - LD-V4-IQ
- Scene controllers
 - SC-4T-IQ
 - SC-40-IQ
 - SC-4S-IQ



All field modules are connected to the IEX bus with $2 \times 2 \times 0,8 \text{ mm}^2$ cable.

Some devices controlled by Field modules needs additional power supply:

- LD-V4-IQ need LED power supply; 12 or 24V DC depending of LED stripe type
- FC-1-IQ need fan-coil motor and valve power supply; see fan-coil documentation - usually 230V AC



From:
<http://wiki.hiq-universe.com/> -

Permanent link:
http://wiki.hiq-universe.com/doku.php?id=en:ms_main:wiring&rev=1605458616

Last update: **2020/11/15 16:43**

