

Robotina Charger wiring

Network	
Default connection to the LAN network:	
<input type="checkbox"/>	
Default connection via LTE 4G modem:	
NOTE: All connected devices will have internet access via LTE modem which can result in high costs on your LTE account.	
<input type="checkbox"/>	
Optional LTE 4G modem connection:	
<input type="checkbox"/>	
Wireless power sensors	
Single phase power-sensor PM1-E-D	
<input type="checkbox"/>	

Single phase power-sensor with current transformer [PM1-E-D-CT](#)



3-phase power-sensor [PM3-E-D](#)



3-phase power-sensor with current transformer [PM3-E-D-CT](#)

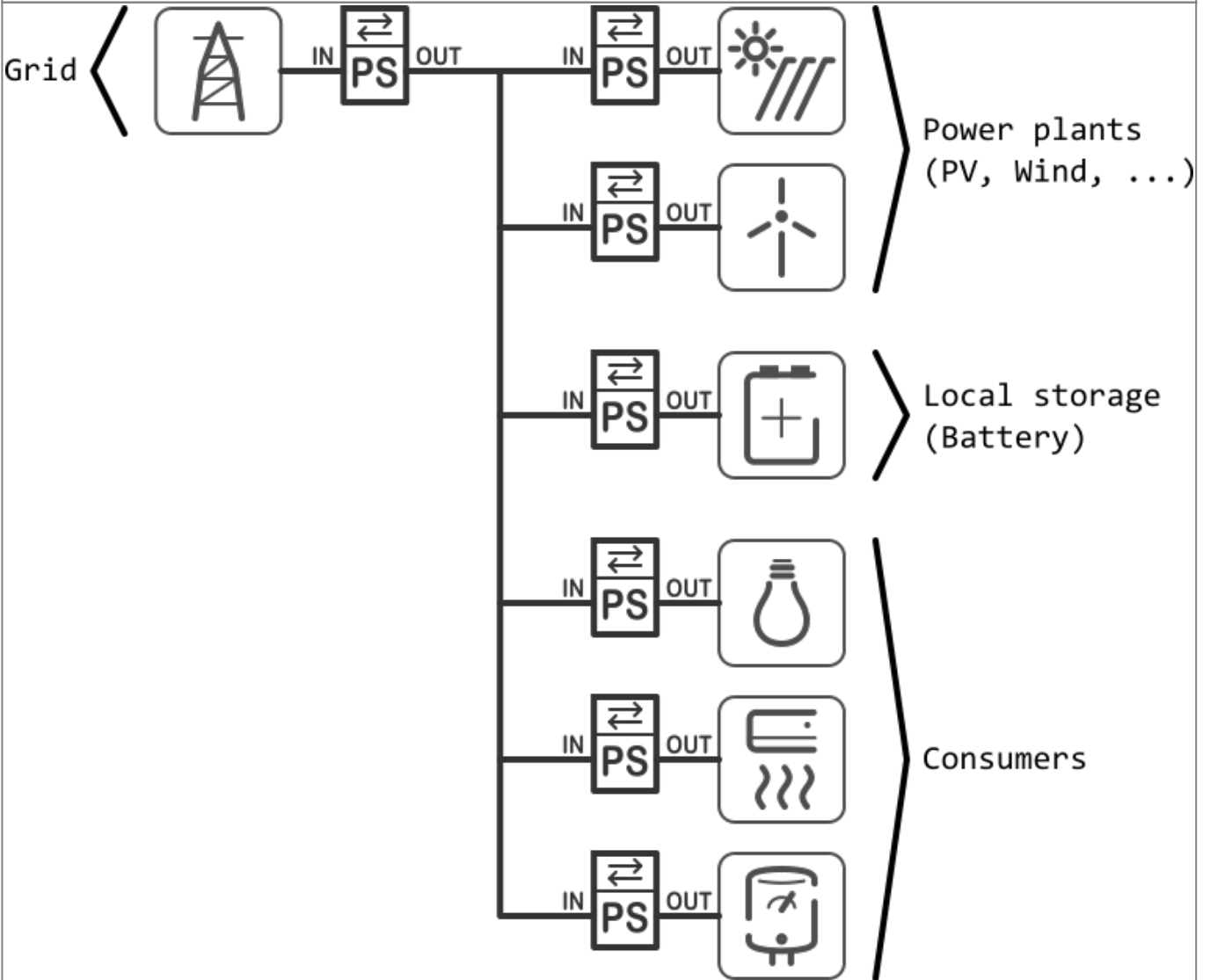


Charger and wireless power sensors.

One or more [WM-1](#) modules can be used. One or more power sensors can be connected to one [WM-1](#).



Power-sensors orientation



From:
<http://wiki.hiq-universe.com/> -

Permanent link:
http://wiki.hiq-universe.com/doku.php?id=en:robotina_charger:wiring&rev=1670231932

Last update: **2022/12/05 09:18**

