

# Robotina Charger wiring

<b>Network</b>	
Default connection to the LAN network:	
<input type="checkbox"/>	
Default connection via LTE 4G modem:	
<b>NOTE:</b> All connected devices will have internet access via LTE modem which can result in high costs on your LTE account.	
<input type="checkbox"/>	
Optional LTE 4G modem connection:	
<input type="checkbox"/>	
<b>Wireless power sensors</b>	
Single phase power-sensor <a href="#">PM1-E-D</a>	
<input type="checkbox"/>	

Single phase power-sensor with current transformer [PM1-E-D-CT](#)



3-phase power-sensor [PM3-E-D](#)



3-phase power-sensor with current transformer [PM3-E-D-CT](#)

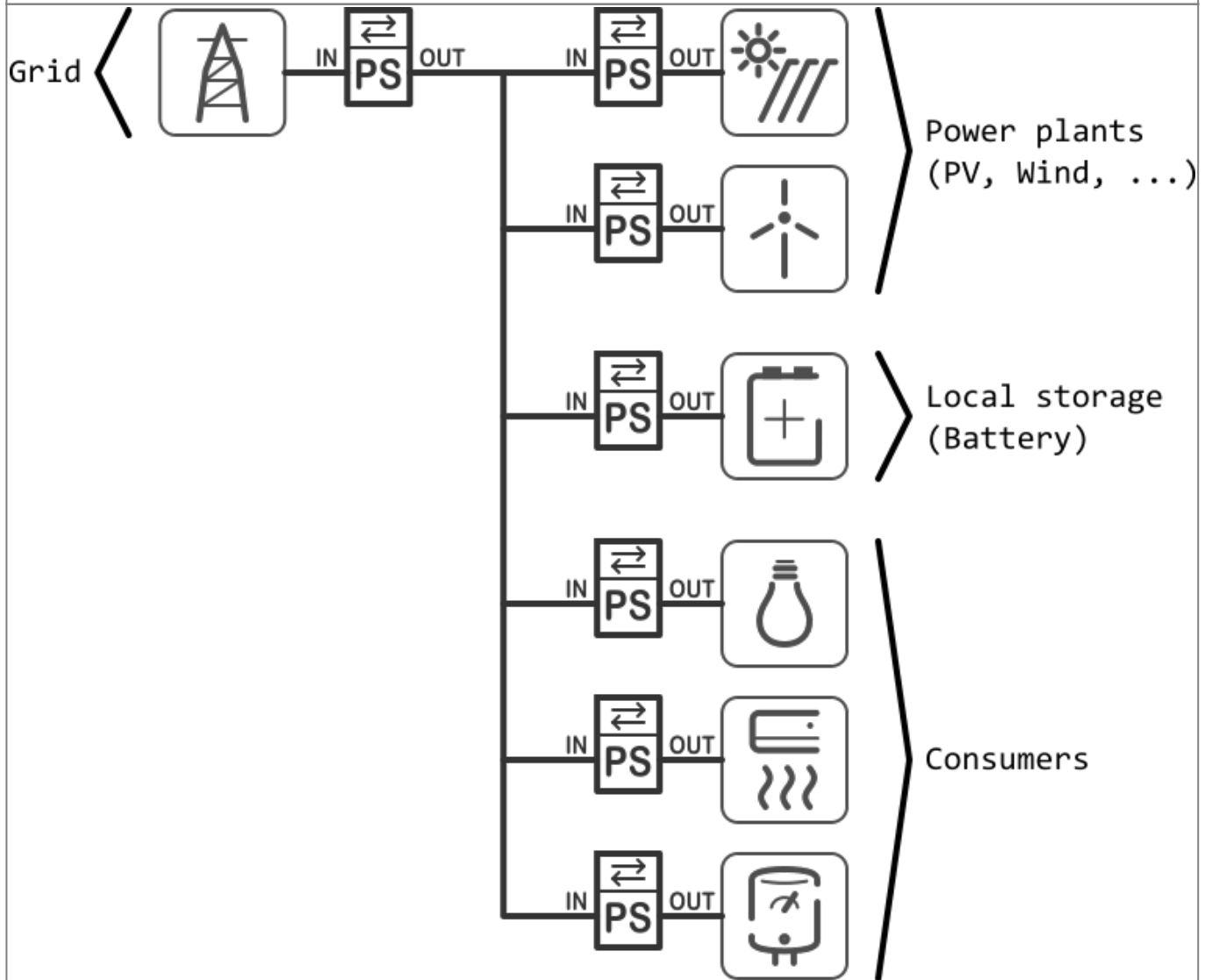


Charger and wireless power sensors.

One or more [WM-1](#) modules can be used. One or more power sensors can be connected to one [WM-1](#).



### Power-sensors orientation



From:  
<http://wiki.hiq-universe.com/> -

Permanent link:  
[http://wiki.hiq-universe.com/doku.php?id=en:robotina\\_charger:wiring&rev=1670506535](http://wiki.hiq-universe.com/doku.php?id=en:robotina_charger:wiring&rev=1670506535)

Last update: 2022/12/08 13:35

