

# OP-8 Touch operator panel

## IEX-2 MODULE



Model number:	<b>OP-8-B</b>	Black tempered glass
	<b>OP-8-W</b>	White tempered glass
	<b>OP-8C-B</b>	Display support characters in Cyrillic, Black tempered glass
	<b>OP-8C-W</b>	Display supports characters in Cyrillic, White tempered glass
Mounting:	M4 installation box, wall (order code OP-8 Wall Kit)	
Dimensions:	144x80x7mm	

## Features

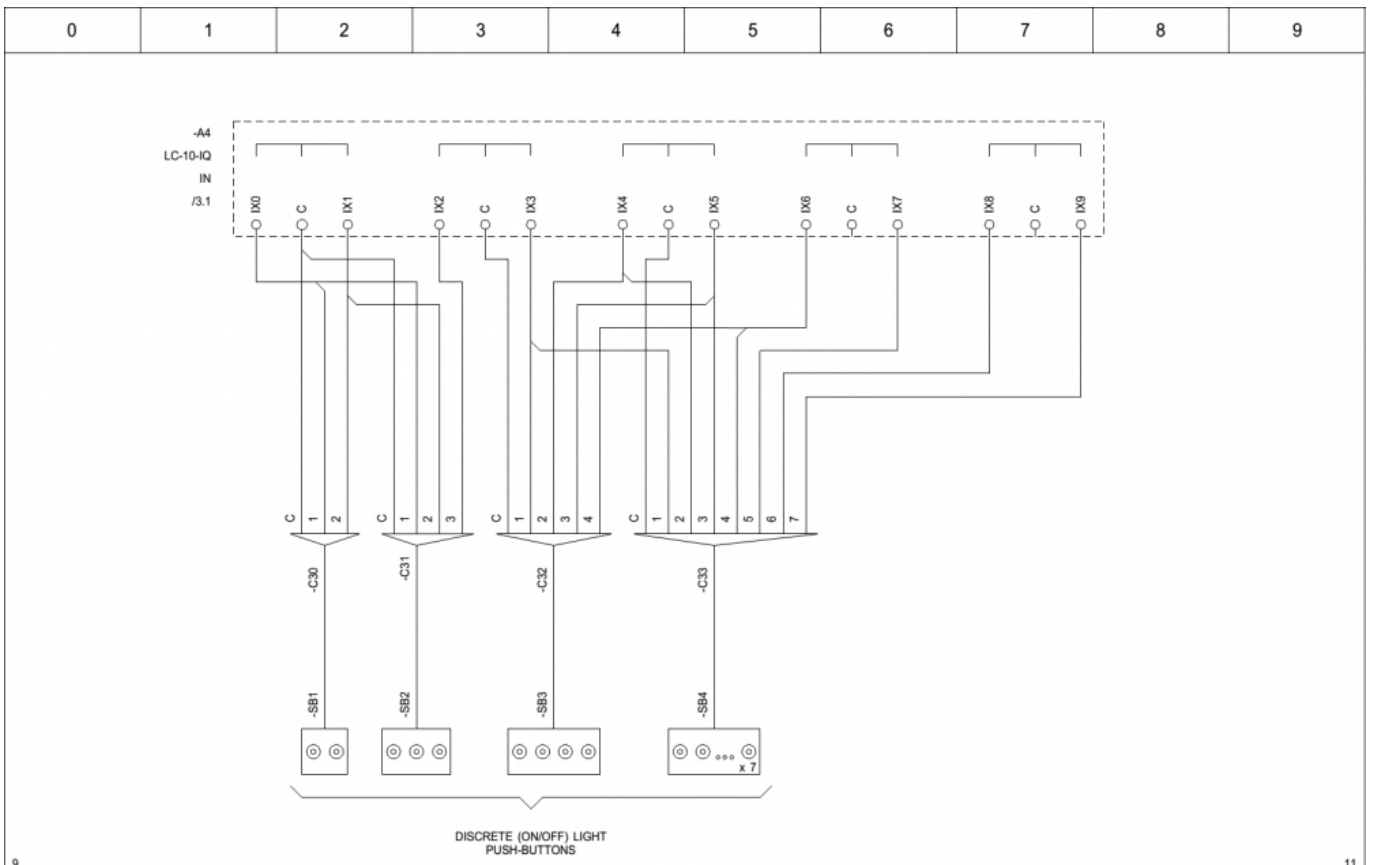
- IEX-2 module
- Touch operator panel
- LCD display 2×20 characters
- LCD display white/blue
- Temperature sensor
- Humidity sensor
- Light sensor
- IR receiver
- Beeper
- 1 switch/potentiometer input
- 1 temperature sensor input

## Technical specifications

<b>Display</b>	LCD 2×20 characters
<b>Characters size</b>	3x5mm
<b>Keys</b>	5 touch keys, tactile feedback
<b>Backlight</b>	blue LED, adjustable 0...100%
<b>IR receiver</b>	RC5 36kHz, receiving distance 5m
<b>Input type</b>	dry contact, internal pull-up 12V 2mA, analog input 0...10V (10bit, 0..1023)
<b>Temperature measurement</b>	from 0°C to +50°C
error:	0.5°C typ.(0°C to +50°C, backlight at 20%)
resolution:	0.1°C (12bit)
readout:	0.1°C (254 equals 25.4°C)
<b>Humidity measurement:</b>	from 0 to 100%rh, non-condensing
error:	2% rh @25°C
response time:	15s
stability:	1% rh @ 50% rh in 5 years
resolution:	1% (7 bit)
readout:	1% rh (45 equals 45% rh)
<b>External temperature sensor:</b>	ES-P, ES-B or ES-W
<b>Power supply:</b>	24V (18..28V) 50mA
<b>Degree of protection:</b>	IP20
<b>Operating conditions:</b>	0..50°C, 0..85% rh non-condensing
<b>Storage temperature:</b>	-20..75°C
<b>Mounting:</b>	M4 installation box or wall
<b>Dimensions:</b>	144x80x7mm
<b>Weight:</b>	200g
<b>Level of ambient pollution:</b>	2
<b>Standards:</b>	EN 60730-1

## Terminals

Lights power supply	L 1	Relay outputs common	Power supply	19 24V	+24 VDC power supply
	L 2			20 0V	0 VDC power supply
	3			21	
Light 0 live	QX0 4	Relay output 0	Digital input 0	22 IX0	Light 0 push-button
	5			23	
Light 1 live	QX1 6	Relay output 1	Digital input 1	24 IX1	Light 1 push-button
Light 2 live	QX2 7	Relay output 2	Digital input 2	25 IX2	Light 2 push-button
	8			26	
Light 3 live	QX3 9	Relay output 3	Digital input 3	27 IX3	Light 3 push-button
Light 4 live	QX4 10	Relay output 4	Digital input 4	28 IX4	Light 4 push-button
	11			29	
Light 5 live	QX5 12	Relay output 5	Digital input 5	30 IX5	Light 5 push-button
Light 6 live	QX6 13	Relay output 6	Digital input 6	31 IX6	Light 6 push-button
	14			32	
Light 7 live	QX7 15	Relay output 7	Digital input 7	33 IX7	Light 7 push-button
Light 8 live	QX8 16	Relay output 8	Digital input 8	34 IX8	Light 8 push-button
	17			35	
Light 9 live	QX9 18	Relay output 9	Digital input 9	36 IX9	Light 9 push-button



Rev	Revision text	Signature	Date	Last changed by GK Last changed 11/8/2015 File name 12/8/2015	Robotina d.o.o. OIC Kozina 38 SI-6240 Kozina	HC-IQ Automation LC-10-IQ Inputs HIQ wiring	Drawing number 001 Pages 17	Installation = Location + Page number 10
-----	---------------	-----------	------	--	--	---	--------------------------------------	---

From:

<http://wiki.hiq-universe.com/> -

Permanent link:

<http://wiki.hiq-universe.com/doku.php?id=op-8&rev=1626080894>

Last update: **2021/07/12 09:08**

