

# OP-8 Touch operator panel

## IEX-2 MODULE



Model number:	<b>OP-8-B</b>	Black tempered glass
	<b>OP-8-W</b>	White tempered glass
	<b>OP-8C-B</b>	Display support characters in Cyrillic, Black tempered glass
	<b>OP-8C-W</b>	Display supports characters in Cyrillic, White tempered glass
Mounting:	M4 installation box, wall (order code OP-8 Wall Kit)	
Dimensions:	144x80x7mm	

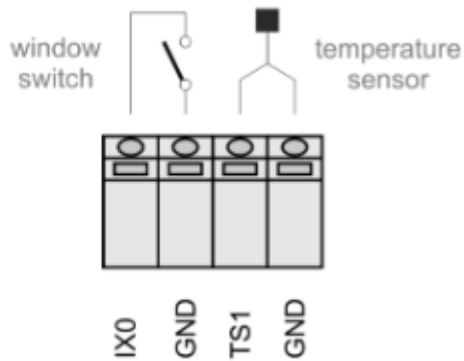
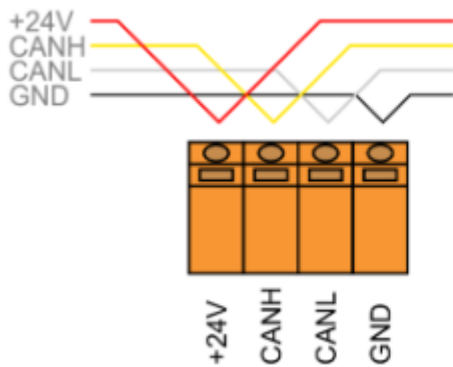
## Features

- IEX-2 module
- Touch operator panel
- LCD display 2×20 characters
- LCD display white/blue
- Temperature sensor
- Humidity sensor
- Light sensor
- IR receiver
- Beeper
- 1 switch/potentiometer input
- 1 temperature sensor input

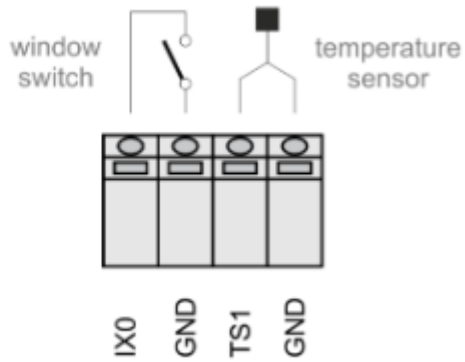
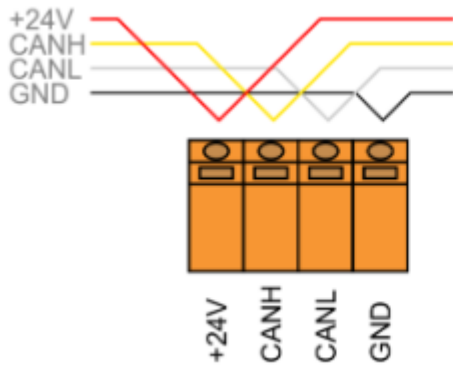
# Technical specifications

<b>Display</b>	LCD 2×20 characters
<b>Characters size</b>	3x5mm
<b>Keys</b>	5 touch keys, tactile feedback
<b>Backlight</b>	blue LED, adjustable 0...100%
<b>IR receiver</b>	RC5 36kHz, receiving distance 5m
<b>Input type</b>	dry contact, internal pull-up 12V 2mA, analog input 0...10V (10bit, 0..1023)
<b>Temperature measurement</b>	from 0°C to +50°C
error:	0.5°C typ.(0°C to +50°C, backlight at 20%)
resolution:	0.1°C (12bit)
readout:	0.1°C (254 equals 25.4°C)
<b>Humidity measurement:</b>	from 0 to 100%rh, non-condensing
error:	2% rh @25°C
response time:	15s
stability:	1% rh @ 50% rh in 5 years
resolution:	1% (7 bit)
readout:	1% rh (45 equals 45% rh)
<b>External temperature sensor:</b>	ES-P, ES-B or ES-W
<b>Power supply:</b>	24V (18..28V) 50mA
<b>Degree of protection:</b>	IP20
<b>Operating conditions:</b>	0..50°C, 0..85% rh non-condensing
<b>Storage temperature:</b>	-20..75°C
<b>Mounting:</b>	M4 installation box or wall
<b>Dimensions:</b>	144x80x7mm
<b>Weight:</b>	200g
<b>Level of ambient pollution:</b>	2
<b>Standards:</b>	EN 60730-1

## Terminals



# Terminals



From:  
<http://wiki.hiq-universe.com/> -

Permanent link:  
<http://wiki.hiq-universe.com/doku.php?id=op-8&rev=1626083580>

Last update: **2021/07/12 09:53**

