

OP-8 Touch operator panel

IEX-2 MODULE



Model number:	OP-8-B	Black tempered glass
	OP-8-W	White tempered glass
	OP-8C-B	Display support characters in Cyrillic, Black tempered glass
	OP-8C-W	Display supports characters in Cyrillic, White tempered glass
Mounting:	M4 installation box, wall (order code OP-8 Wall Kit)	
Dimensions:	144x80x7mm	

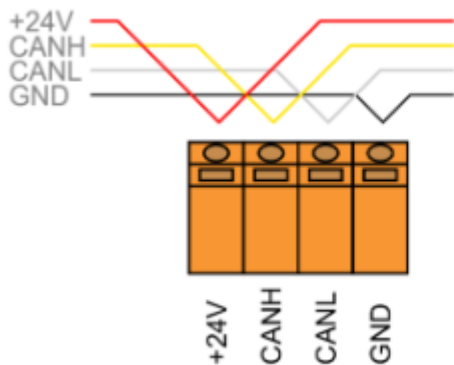
Features

- IEX-2 module
- Touch operator panel
- LCD display 2×20 characters
- LCD display white/blue
- Temperature sensor
- Humidity sensor
- Light sensor
- IR receiver
- Beeper
- 1 switch/potentiometer input
- 1 temperature sensor input

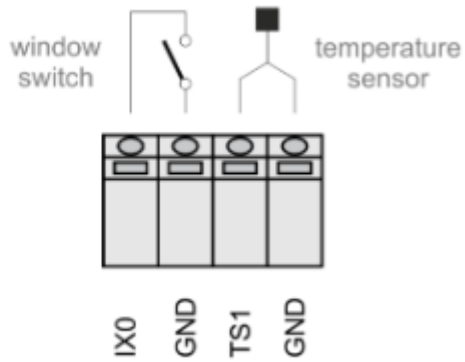
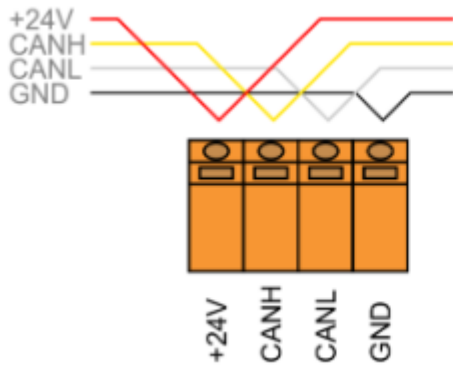
Technical specifications

Display	LCD 2x20 characters
Characters size	3x5mm
Keys	5 touch keys, tactile feedback
Backlight	blue LED, adjustable 0...100%
IR receiver	RC5 36kHz, receiving distance 5m
Input type	dry contact, internal pull-up 12V 2mA, analog input 0...10V (10bit, 0..1023)
Temperature measurement	from 0°C to +50°C
error:	0.5°C typ.(0°C to +50°C, backlight at 20%)
resolution:	0.1°C (12bit)
readout:	0.1°C (254 equals 25.4°C)
Humidity measurement:	from 0 to 100%rh, non-condensing
error:	2% rh @25°C
response time:	15s
stability:	1% rh @ 50% rh in 5 years
resolution:	1% (7 bit)
readout:	1% rh (45 equals 45% rh)
External temperature sensor:	ES-P, ES-B or ES-W
Power supply:	24V (18..28V) 50mA
Degree of protection:	IP20
Operating conditions:	0..50°C, 0..85% rh non-condensing
Storage temperature:	-20..75°C
Mounting:	M4 installation box or wall
Dimensions:	144x80x7mm
Weight:	200g
Level of ambient pollution:	2
Standards:	EN 60730-1

Terminals



Optional- Wall mounting kit



From:
<http://wiki.hiq-universe.com/> -

Permanent link:
<http://wiki.hiq-universe.com/doku.php?id=op-8&rev=1626083613>

Last update: **2021/07/12 09:53**

