

# TVOC, Temperature and Humidity Sensor



|               |                                     |
|---------------|-------------------------------------|
| Model number: | <b>RB-100-TVOC-TH</b>               |
| Mounting:     | In-wall, dose                       |
| Dimensions:   | 85 x 116 x 44 mm                    |
| Connection:   | RS485 to HIQ MC controller or Cybro |
| Frame color:  | Black                               |

## Applications

- HVAC and indoor air monitoring
- Widely used in building automation
- Climate, ECO2 and HVAC signal collection

## Features

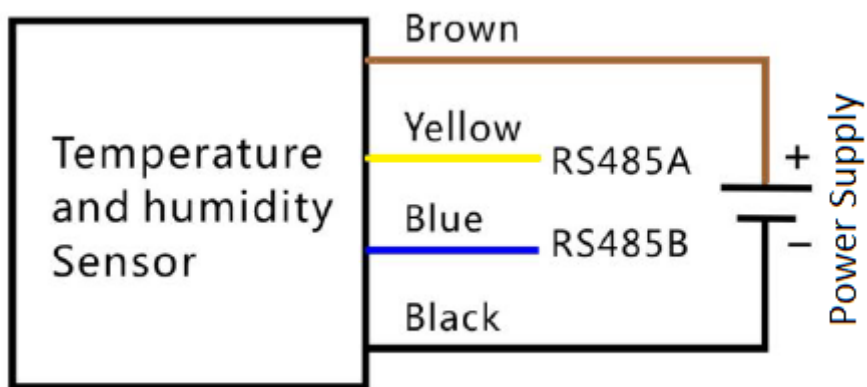
- High measurement accuracy
- Built-in high-performance microprocessor
- Multiple probes available
- Superior performance and long-term stability

## Technical specifications

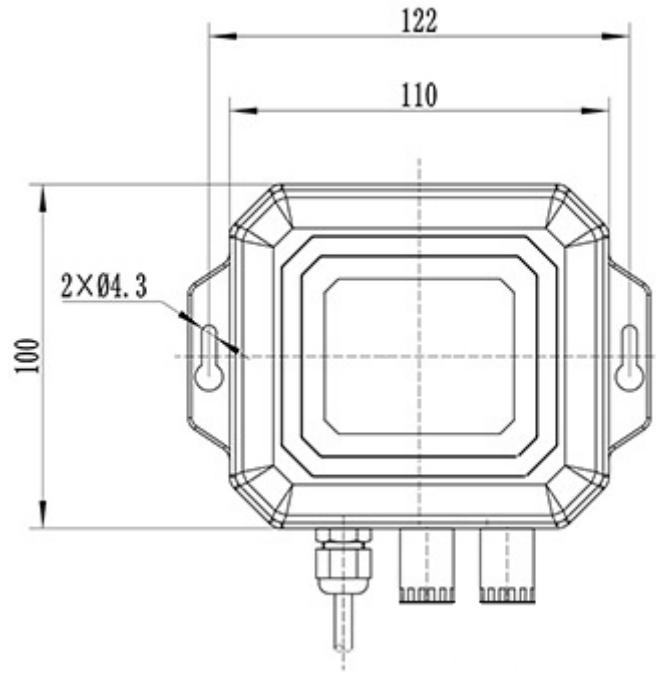
|                 |   |
|-----------------|---|
| Power supply:   | 10-30VDC Note: 0-10VDC output (limited to 24VDC Power Supply) |
| Signal output:  | 4-20mA/0-5VDC/0-10VDC RS485 output (Modbus protocol)          |
| Digital output: | Device address 1-255, default 1                               |

|                        |  |
|------------------------|--|
|                        | Device baud rate 2400, 4800, 9600 optional, default 4800           |
|                        | Byte format 8-bit data bit, 1 stop bit, no parity                  |
| CO2 Measuring          | 0-100ppb   |
| Equivalent CO2         | 400-5000ppm  |
| Measuring temperature  | -40°C to +80°C   |
| Measuring humidity :   | Relative humidity 0%-100% RH                                       |
| Temperature accuracy : | 0.5°C (25°C)   |
| Humidity accuracy :    | 3% RH (5%RH-95%RH, 25°C)   |
| Long-term stability :  | Temperature < 0.1°C/year, Humidity <0.1%RH/year                    |
| Response time :        | CO2 90% of the change in 2min, Temperature <18sec, Humidity < 6sec |

## Wiring



# Dimensions



From:  
<http://wiki.hiq-universe.com/> -

Permanent link:  
[http://wiki.hiq-universe.com/doku.php?id=tvoc\\_temperature\\_and\\_humidity\\_sensor&rev=1669725727](http://wiki.hiq-universe.com/doku.php?id=tvoc_temperature_and_humidity_sensor&rev=1669725727)

Last update: **2022/11/29 12:42**

