

Project number

Project name

Date

17-ROB-020

HEMS G2

24/9/2018

Drawing number

Drawing version

Year of construction

000

001

2017

Supplier

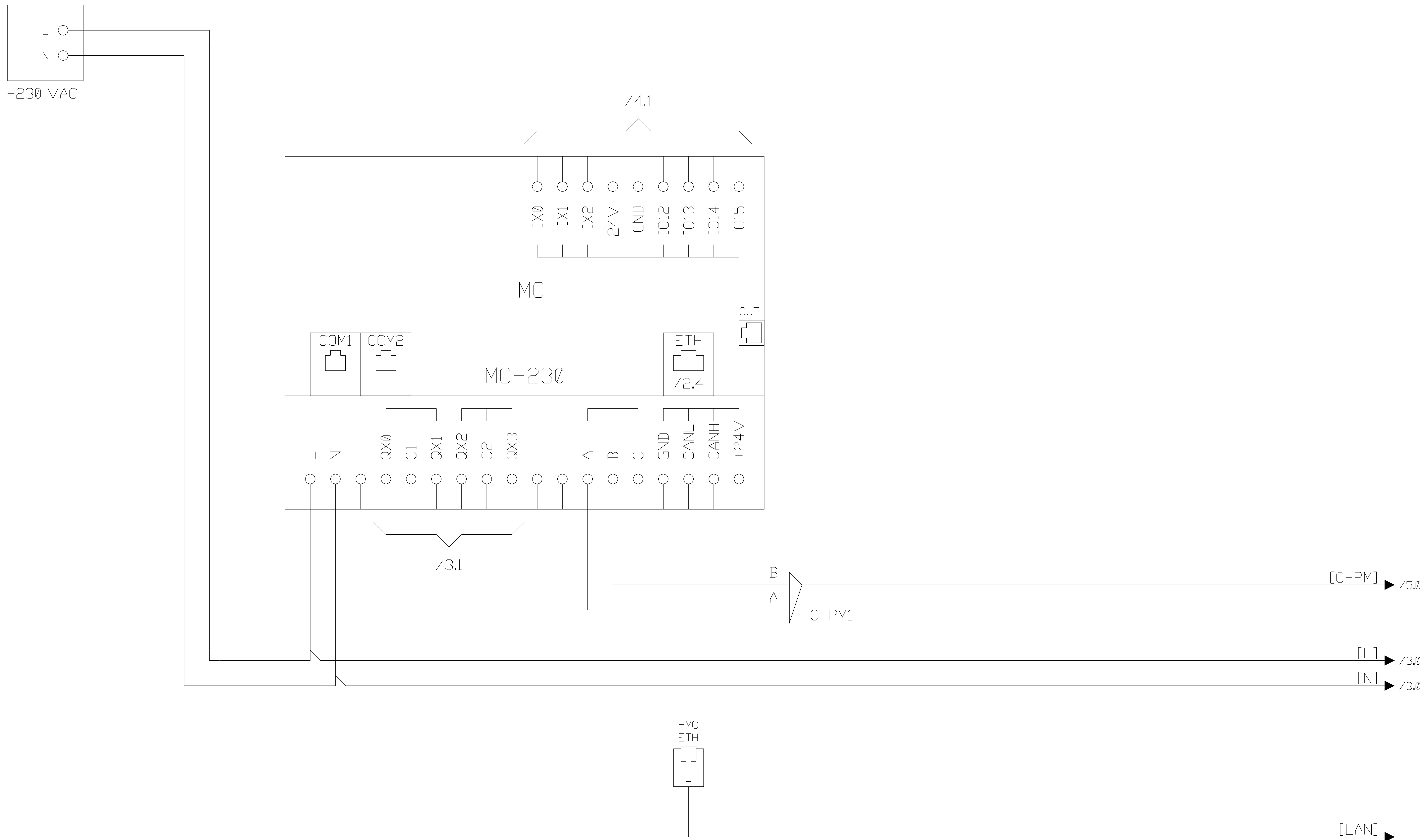
Customer

Robotina

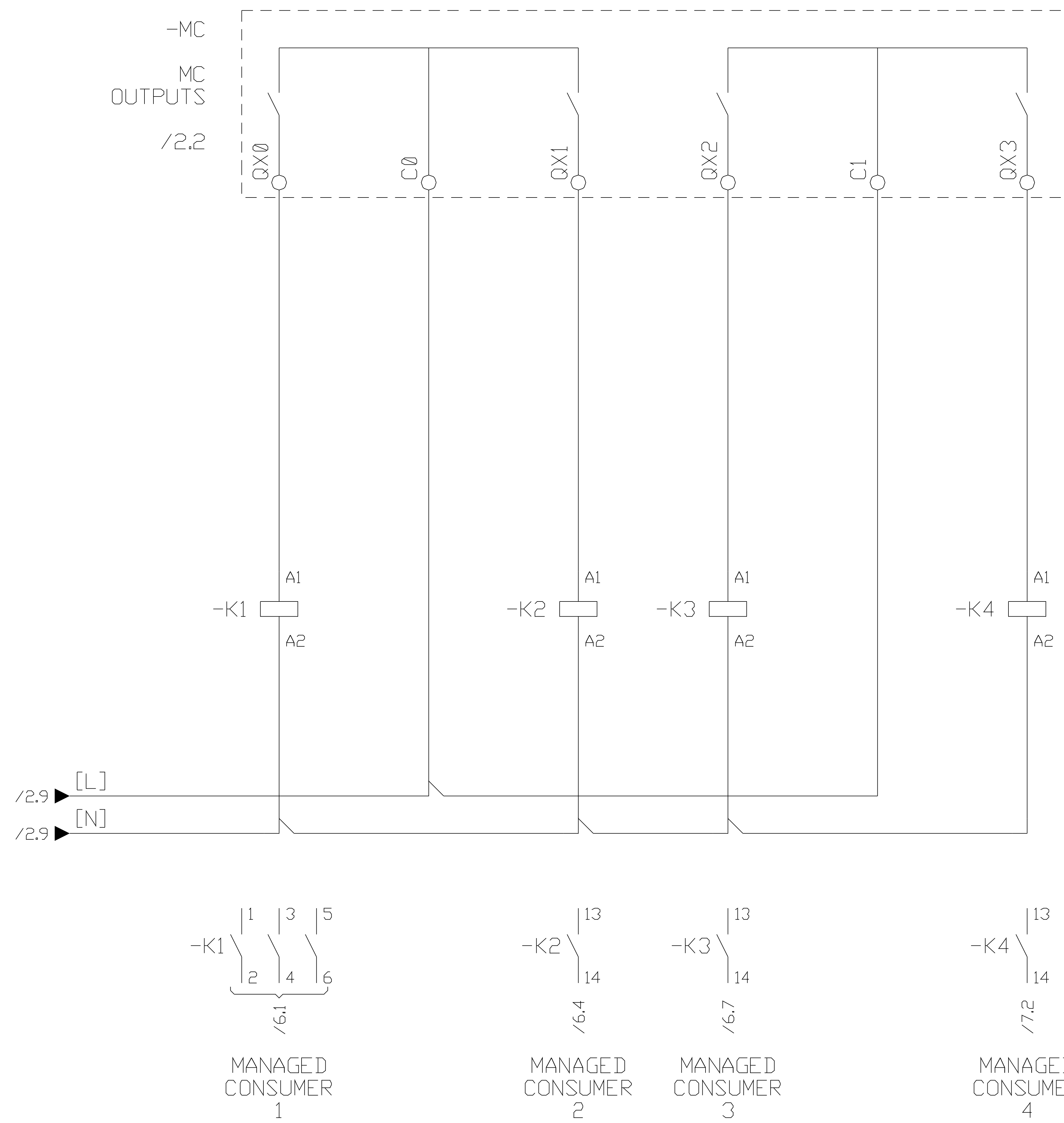
OIC Hrpelje 38

6240 Kozina

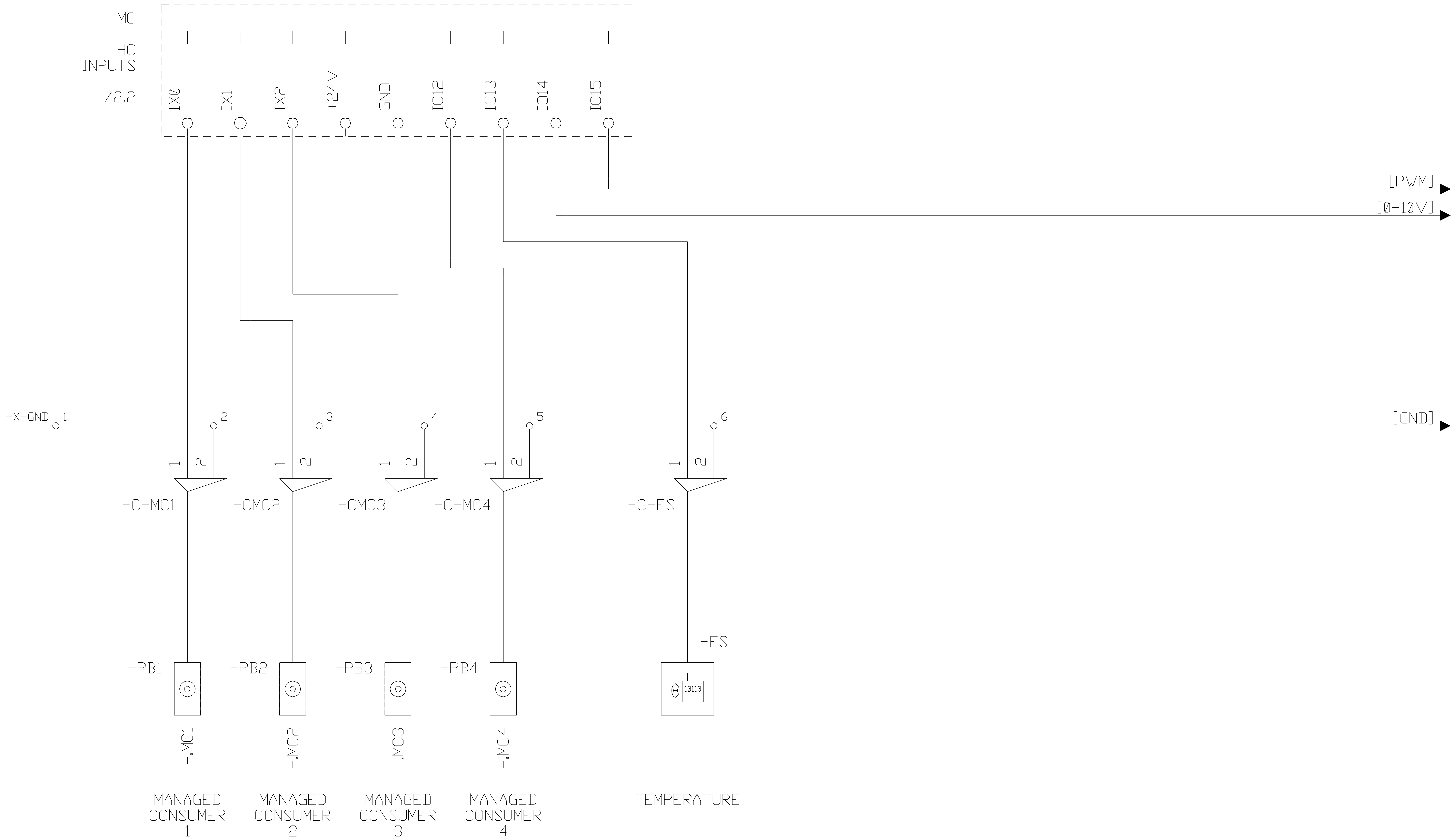
Slovenija




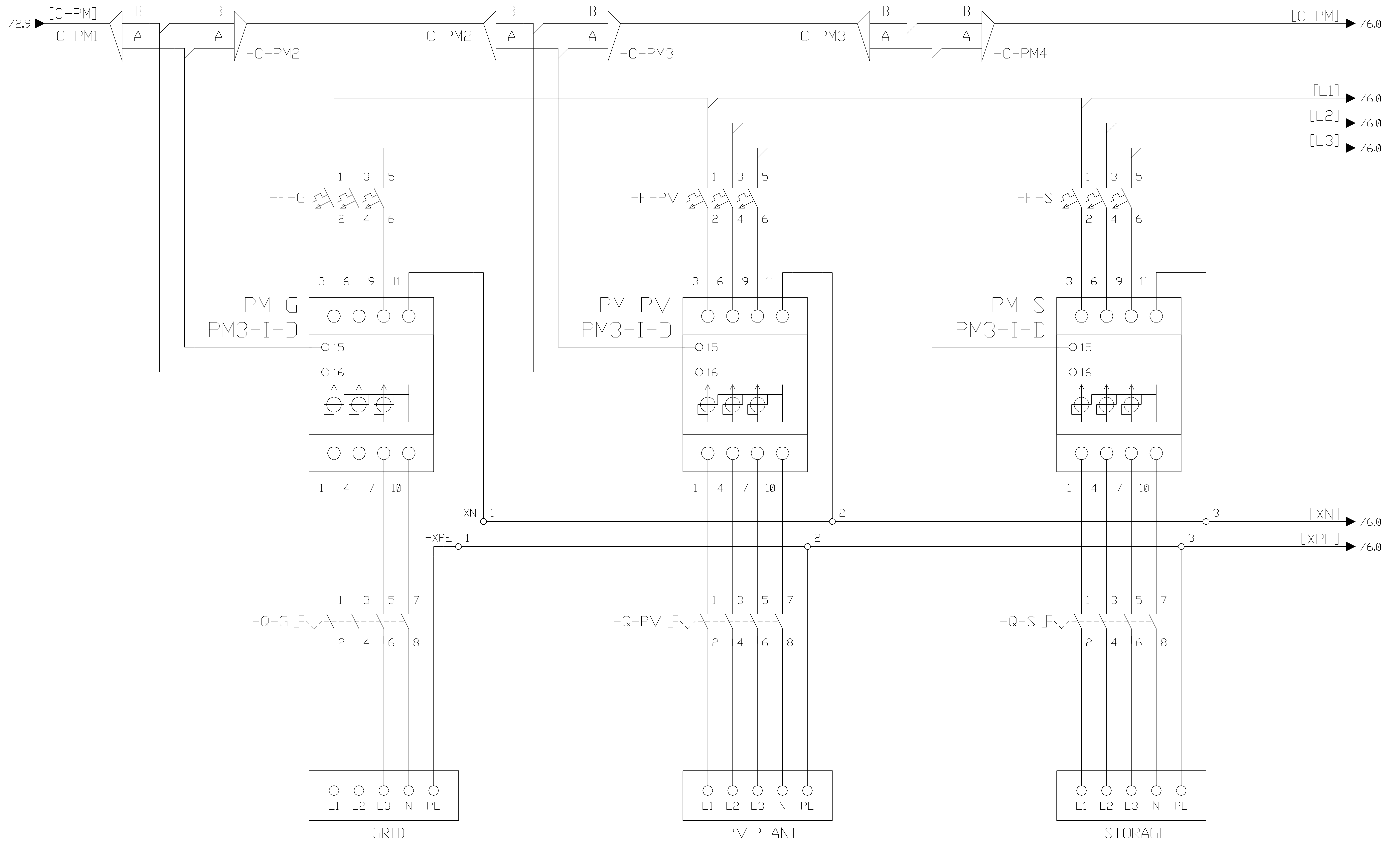
				Last changed by GK	 Robotina d.o.o. OIC Kozina 38 SI-6240 Kozina	Master Controller	Drawing number 000	Installation =
				Last changed 20/9/2018		HEMS G2		Location +
Rev	Revision text	Signature	Date	Print date 24/9/2018			Pages 8	Page number 2



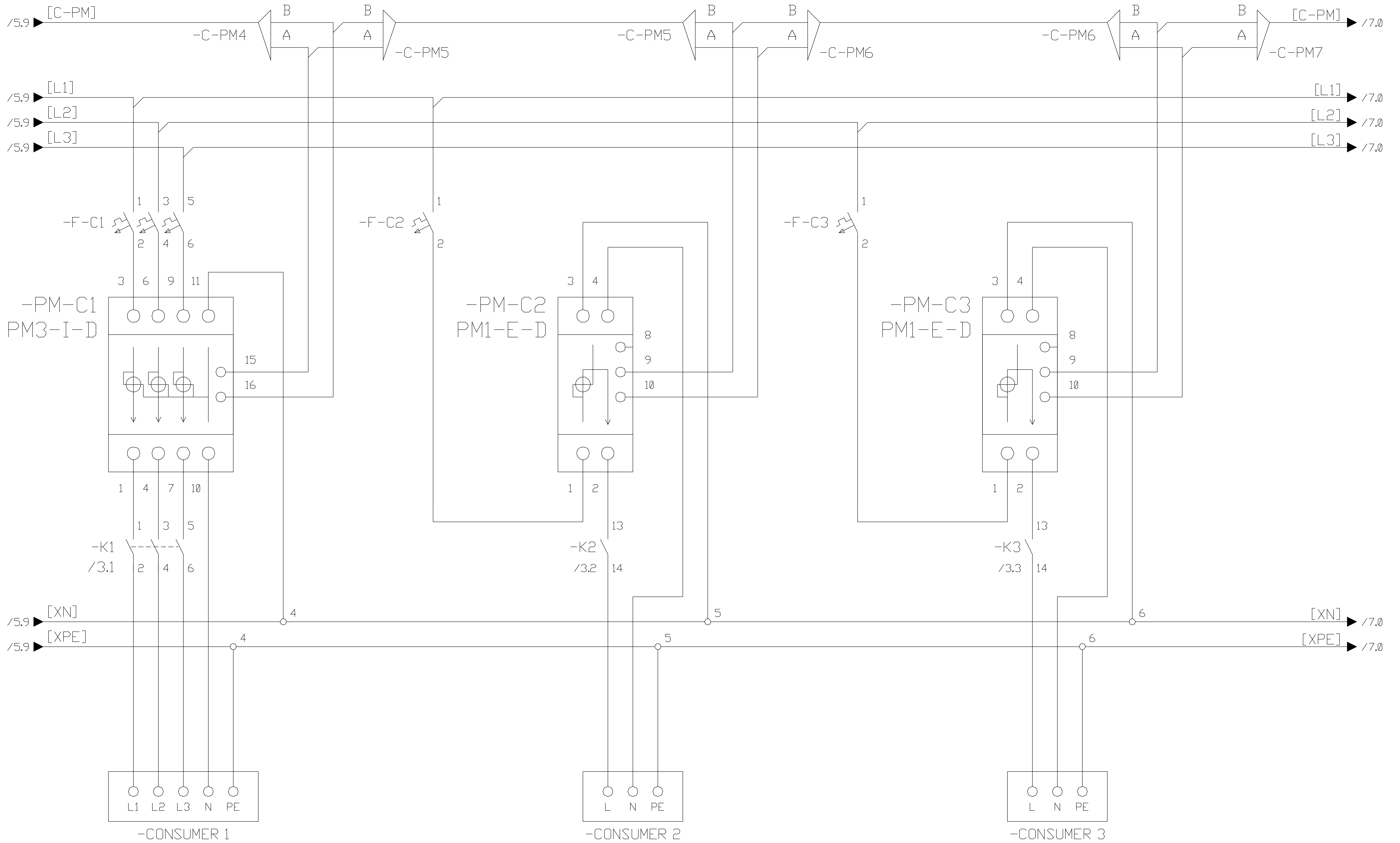
				Last changed by GK	 Robotina d.o.o. OIC Kozina 38 SI-6240 Kozina	Master Controller	Drawing number 000	Installation =
				Last changed 20/9/2018		Relay outputs		Location +
				Print date 24/9/2018		HEMS G2		
Rev	Revision text	Signature	Date				Pages 8	Page number 3



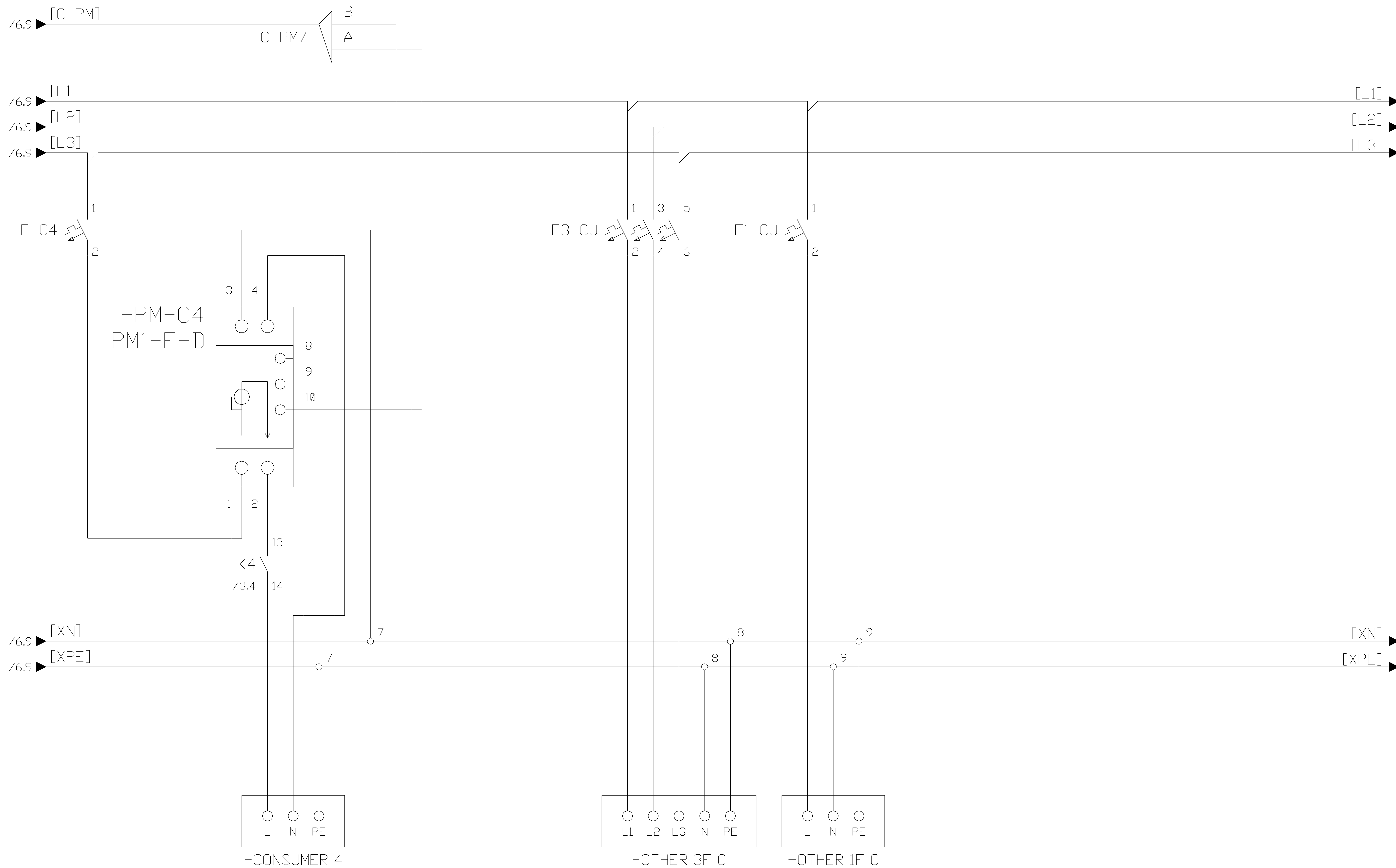
				Last changed by GK	 Robotina d.o.o. OIC Kozina 38 SI-6240 Kozina	Master Controller	Drawing number 000	Installation =
				Last changed 19/9/2018		Inputs and outputs		Location +
				Print date 24/9/2018		HEMS G2	Pages 8	Page number 4
Rev	Revision text	Signature	Date					



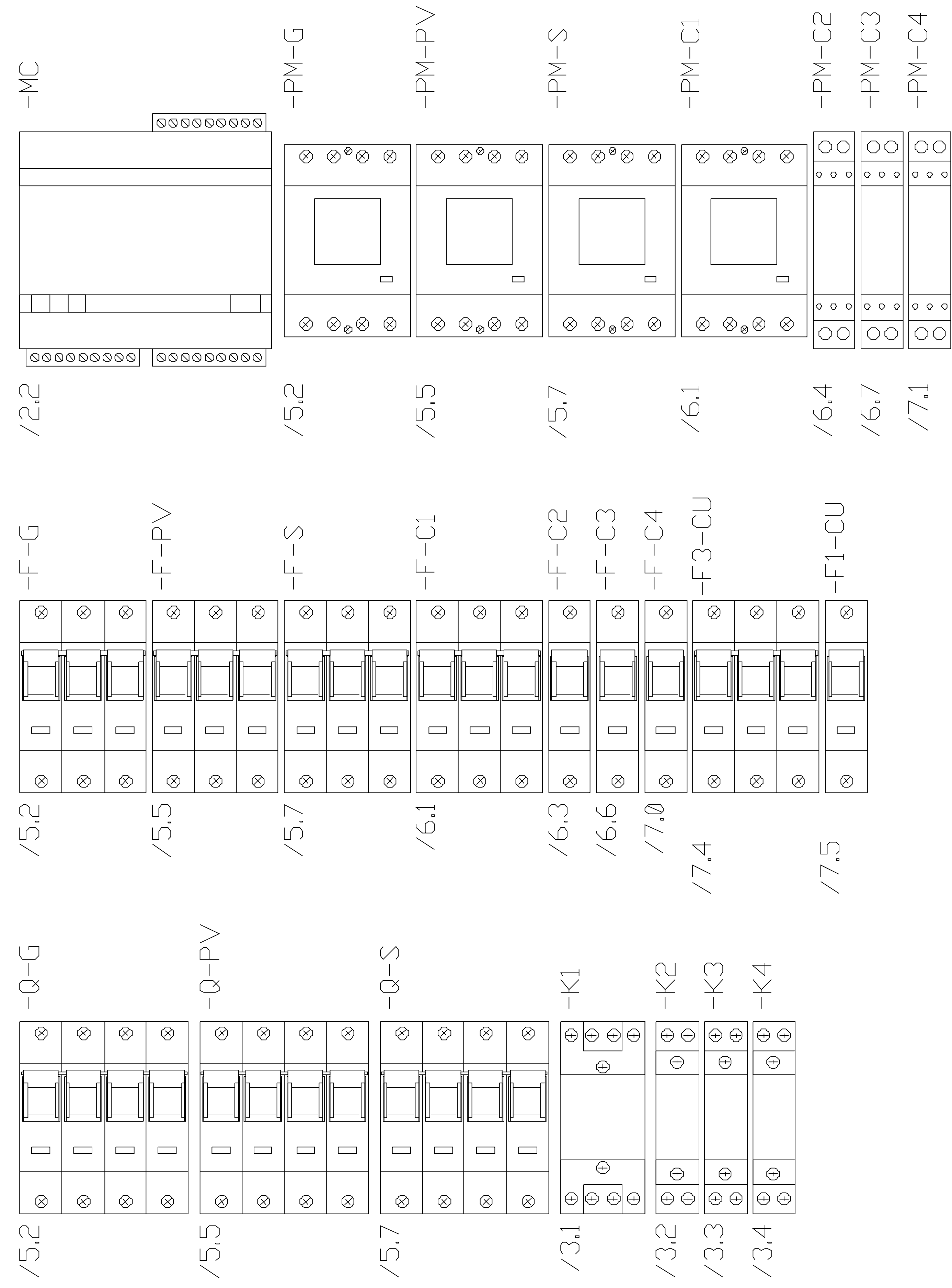
				Last changed by GK	 Robotina d.o.o. OIC Kozina 38 SI-6240 Kozina		Drawing number 000	Installation =
				Last changed 24/9/2018				Location +
				Print date 24/9/2018				Page number 5
Rev	Revision text	Signature	Date		HEMS G2		Pages 8	



				Last changed by GK	 Robotina d.o.o. OIC Kozina 38 SI-6240 Kozina		Drawing number 000	Installation =
				Last changed 20/9/2018				Location +
Rev	Revision text	Signature	Date	Print date 24/9/2018		HEMS G2		Pages 8



				Last changed by GK	 Robotina d.o.o. OIC Kozina 38 SI-6240 Kozina	HEMS G2	Drawing number 000	Installation =
			Last changed 20/9/2018	Pages 8			Location +	
Rev	Revision text	Signature	Date	Print date 24/9/2018			Page number 7	



				Last changed by GK	 Robotina d.o.o. OIC Kozina 38 SI-6240 Kozina	CABINET LAYOUT HEMS G2	Drawing number 000	Installation =
			Last changed 21/9/2018	Pages 8			Location +	
Rev	Revision text	Signature	Date	Print date 24/9/2018			Page number 8	