

Project number

Project name

Date

17-ROB-020

HEMS G2

21/9/2018

Drawing number

Drawing version

Year of construction

000

001

2017

Supplier

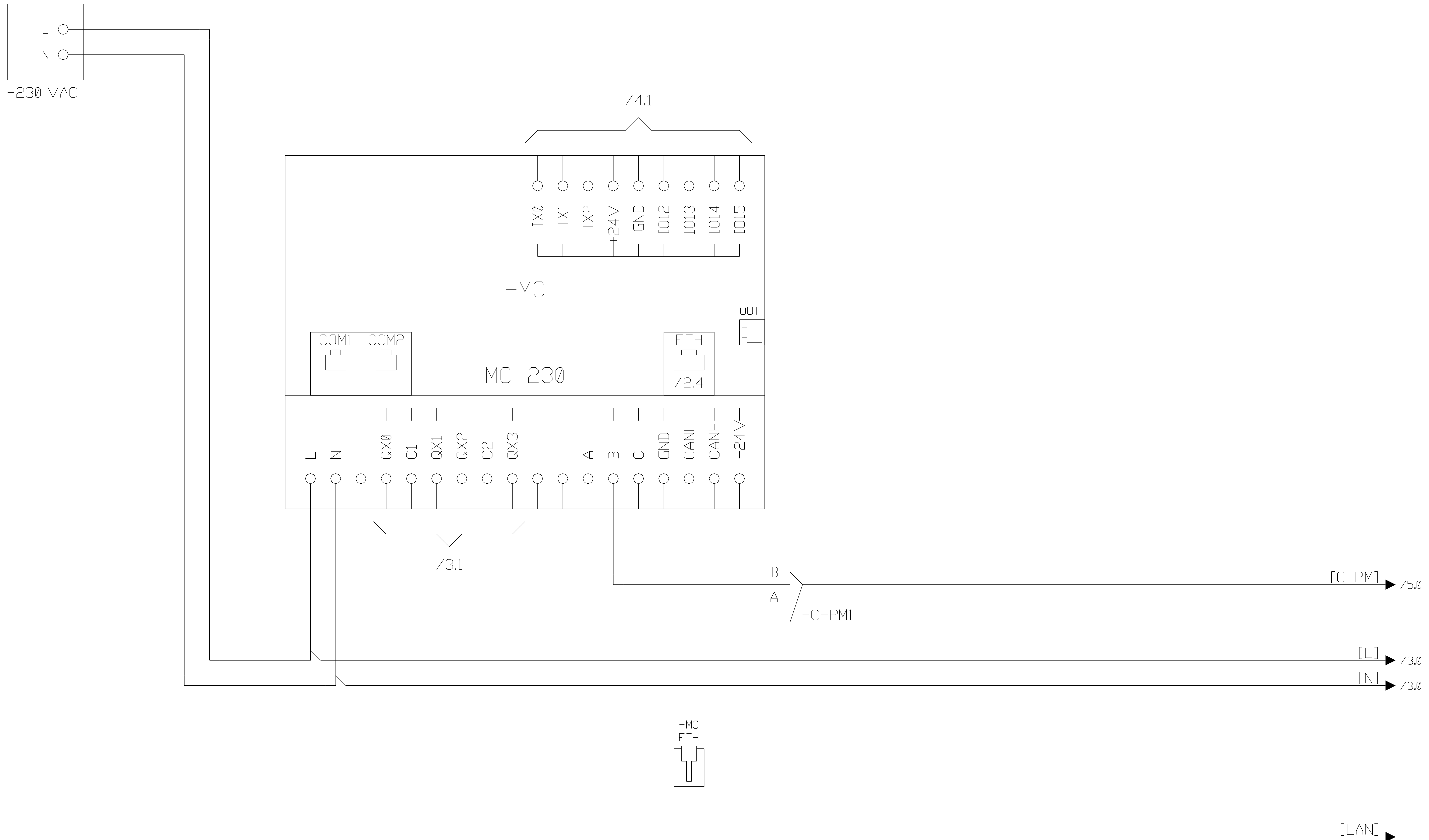
Customer

Robotina

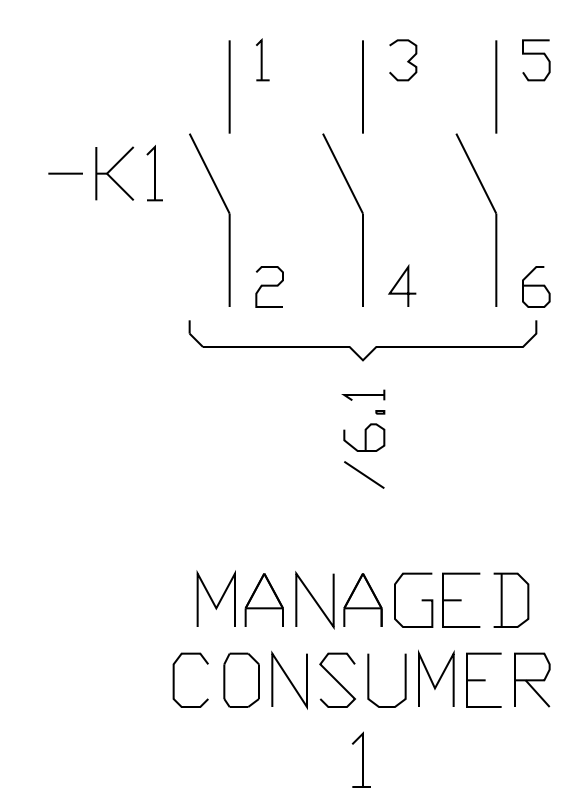
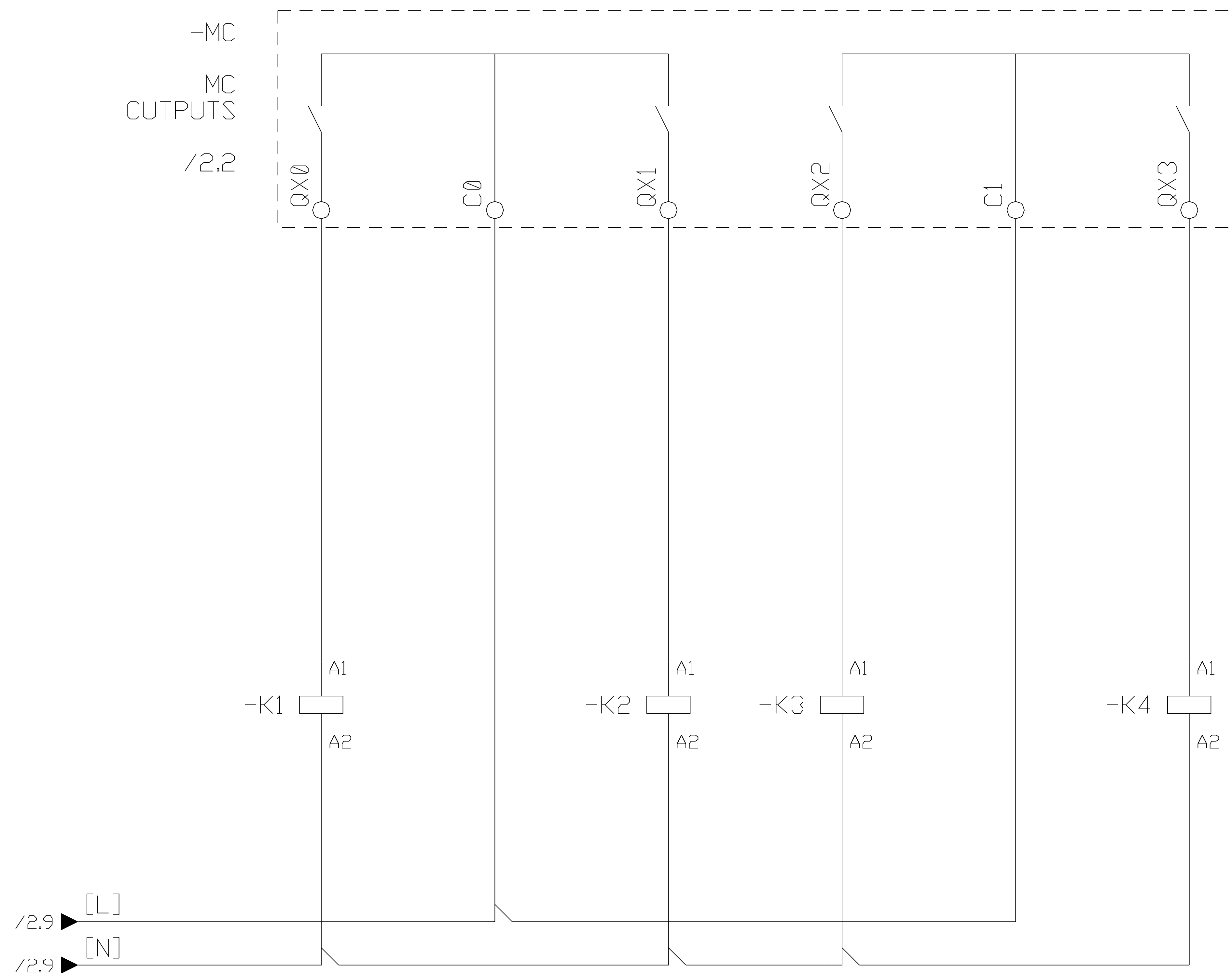
OIC Hrpelje 38

6240 Kozina

Slovenija



				Last changed by GK	 Robotina d.o.o. OIC Kozina 38 SI-6240 Kozina	Master Controller	Drawing number 000	Installation =
				Last changed 20/9/2018		HEMS G2		Location +
Rev	Revision text	Signature	Date	Print date 21/9/2018			Pages 8	Page number 2



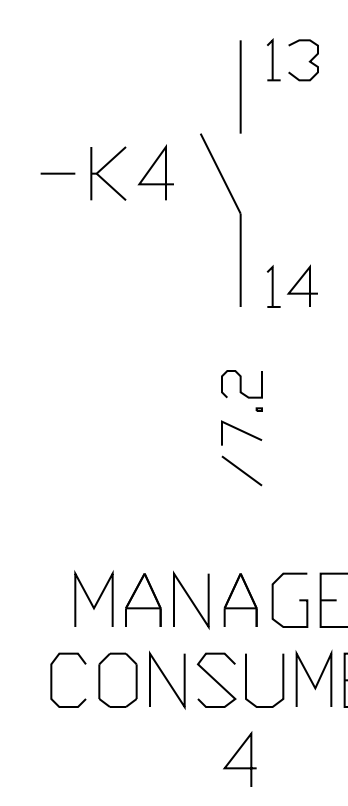
MANAGED  
CONSUMER  
1



MANAGED  
CONSUMER  
2

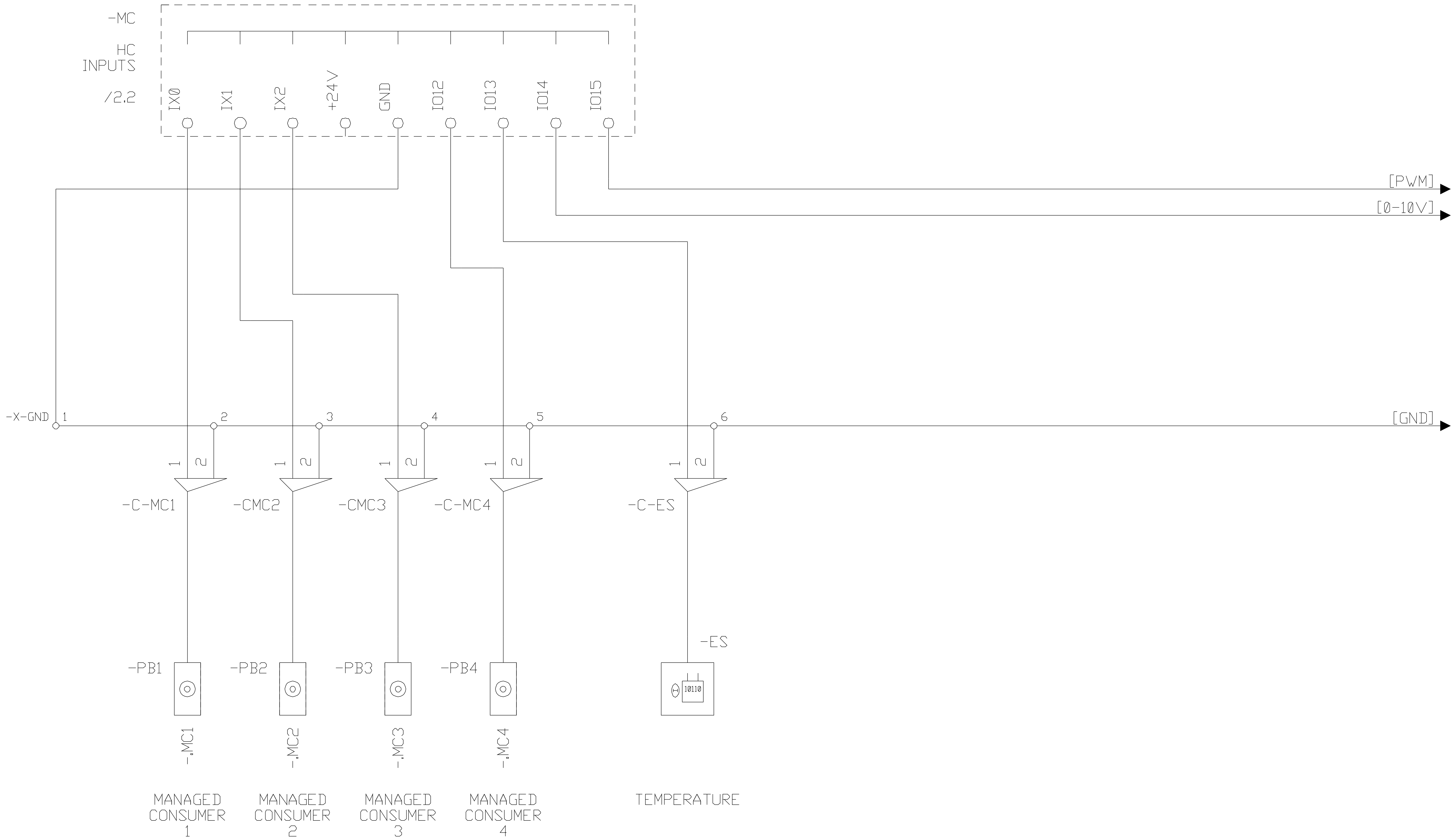



MANAGED  
CONSUMER  
3

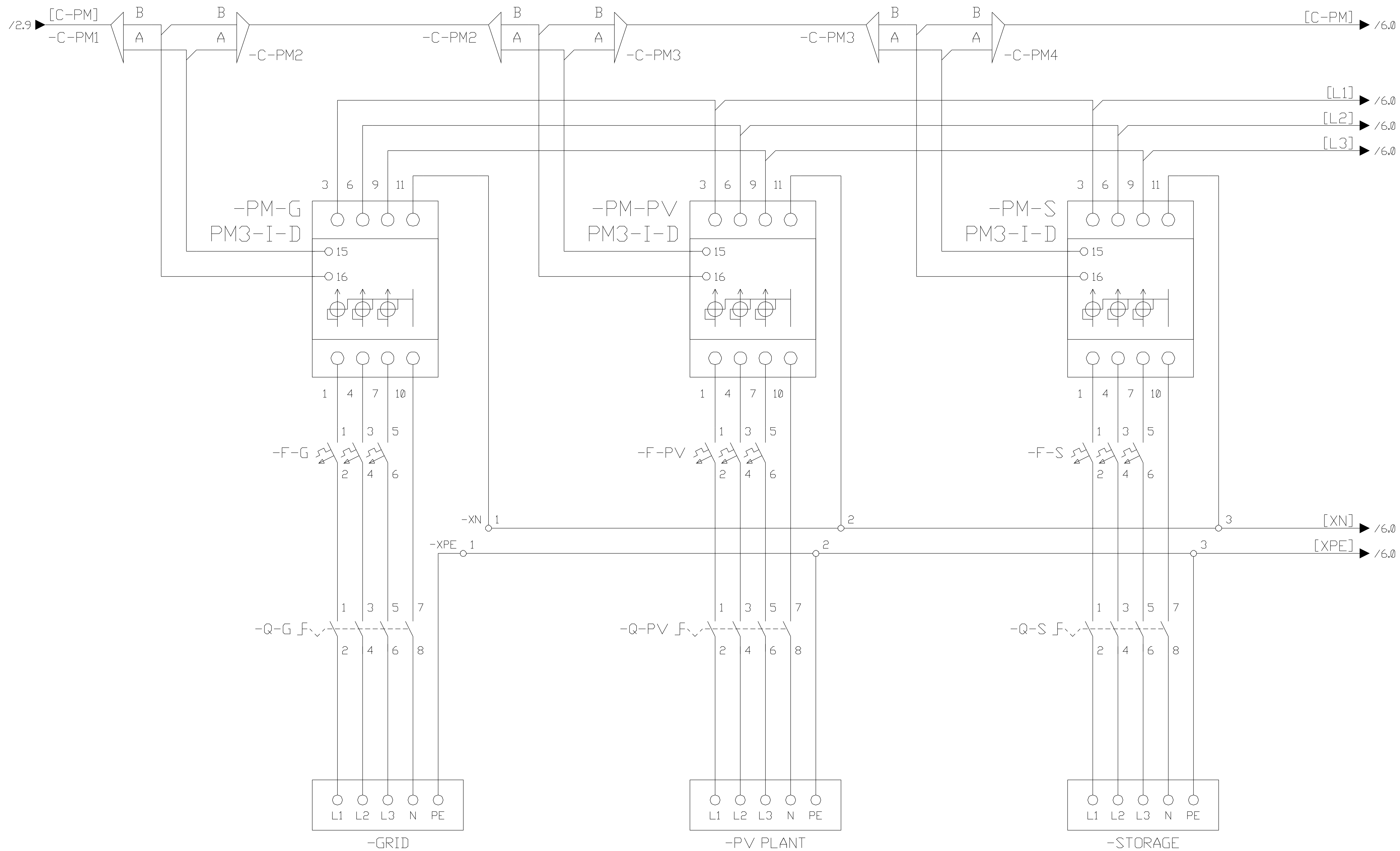


MANAGED  
CONSUMER  
4

				Last changed by GK	 Robotina d.o.o. OIC Kozina 38 SI-6240 Kozina	Master Controller	Drawing number 000	Installation =
				Last changed 20/9/2018		Relay outputs		Location +
				Print date 21/9/2018		HEMS G2		
Rev	Revision text	Signature	Date				Pages 8	Page number 3



				Last changed by GK	 Robotina d.o.o. OIC Kozina 38 SI-6240 Kozina	Master Controller	Drawing number 000	Installation =
				Last changed 19/9/2018		Inputs and outputs	Pages 8	Location +
Rev	Revision text	Signature	Date	Print date 21/9/2018		HEMS G2	Page number 4	



Rev	Revision text	Signature	Date
-----	---------------	-----------	------

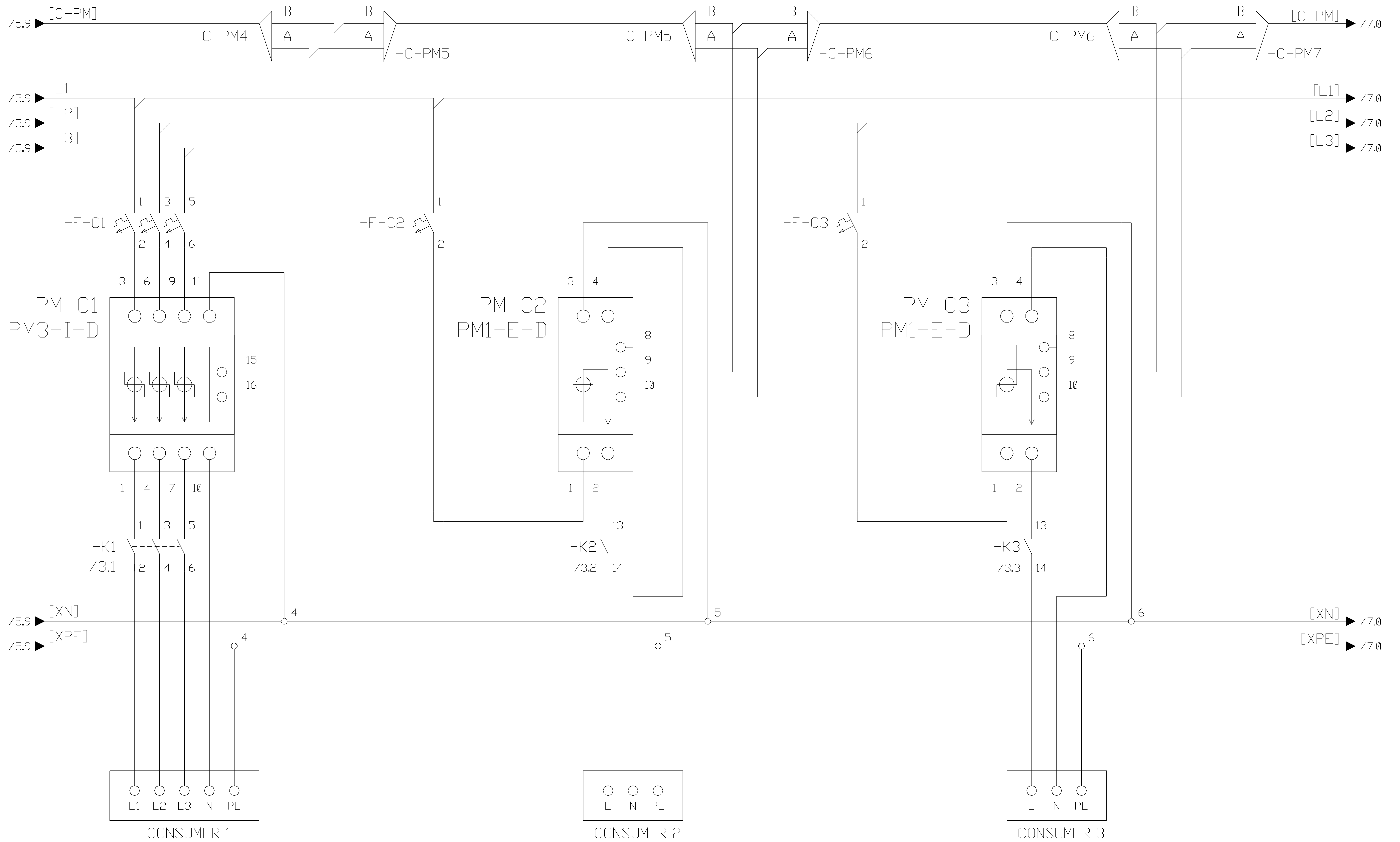
Last changed by	GK
Last changed	20/9/2018
Print date	21/9/2018



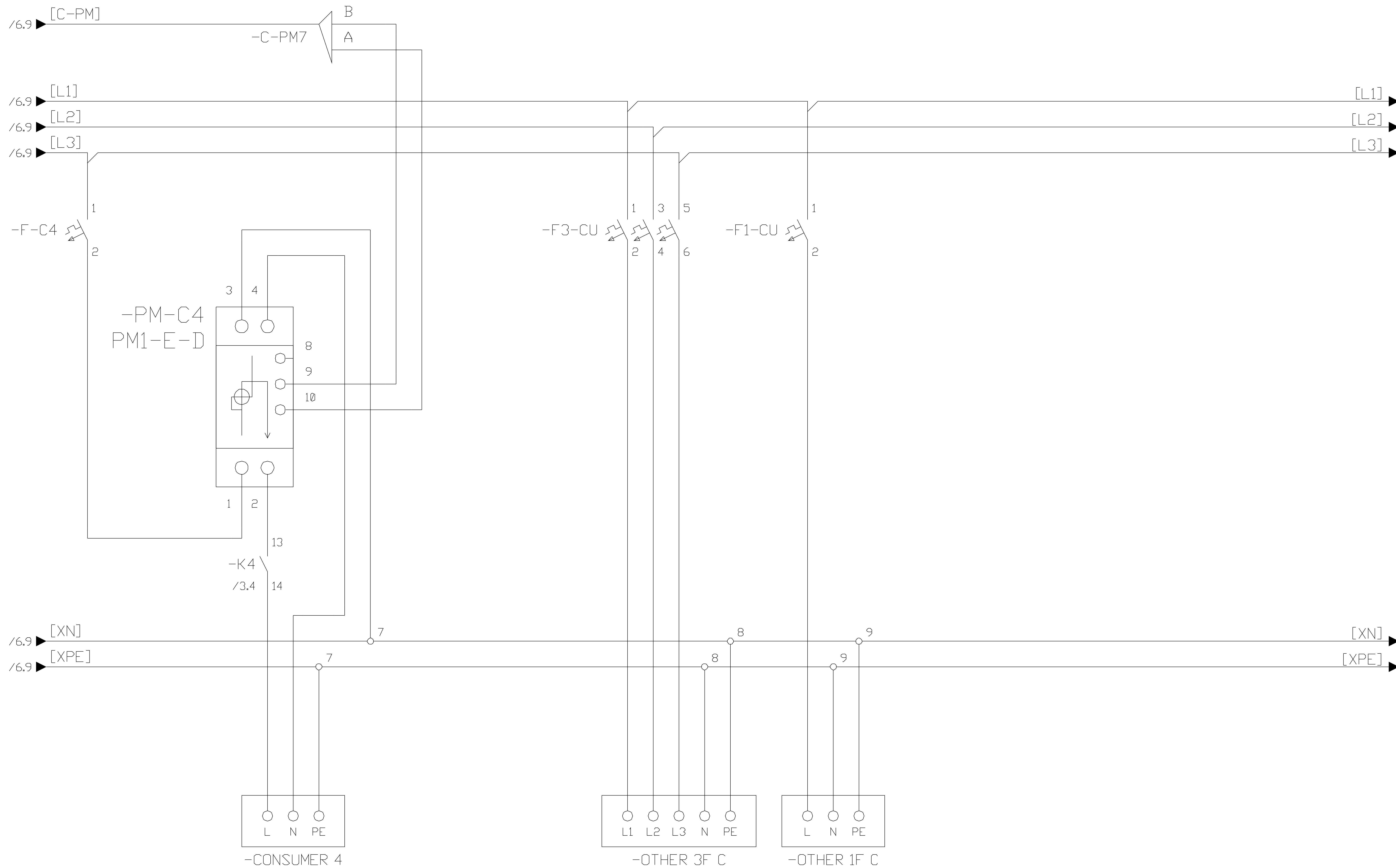
HEMS G2

Drawing number	000
Pages	8

Installation =	
Location +	
Page number	5

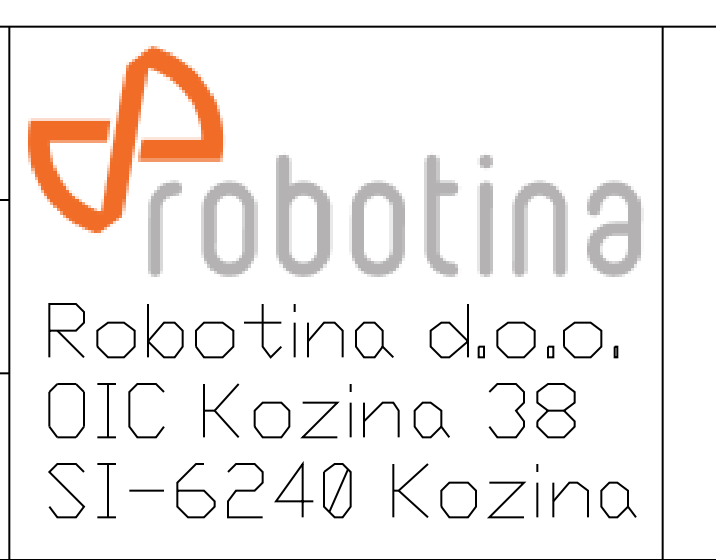


				Last changed by GK	 Robotina d.o.o. OIC Kozina 38 SI-6240 Kozina		Drawing number 000	Installation =
				Last changed 20/9/2018				Location +
				Print date 21/9/2018				Page number 6
Rev	Revision text	Signature	Date		HEMS G2	Pages 8		



Rev	Revision text	Signature	Date
-----	---------------	-----------	------

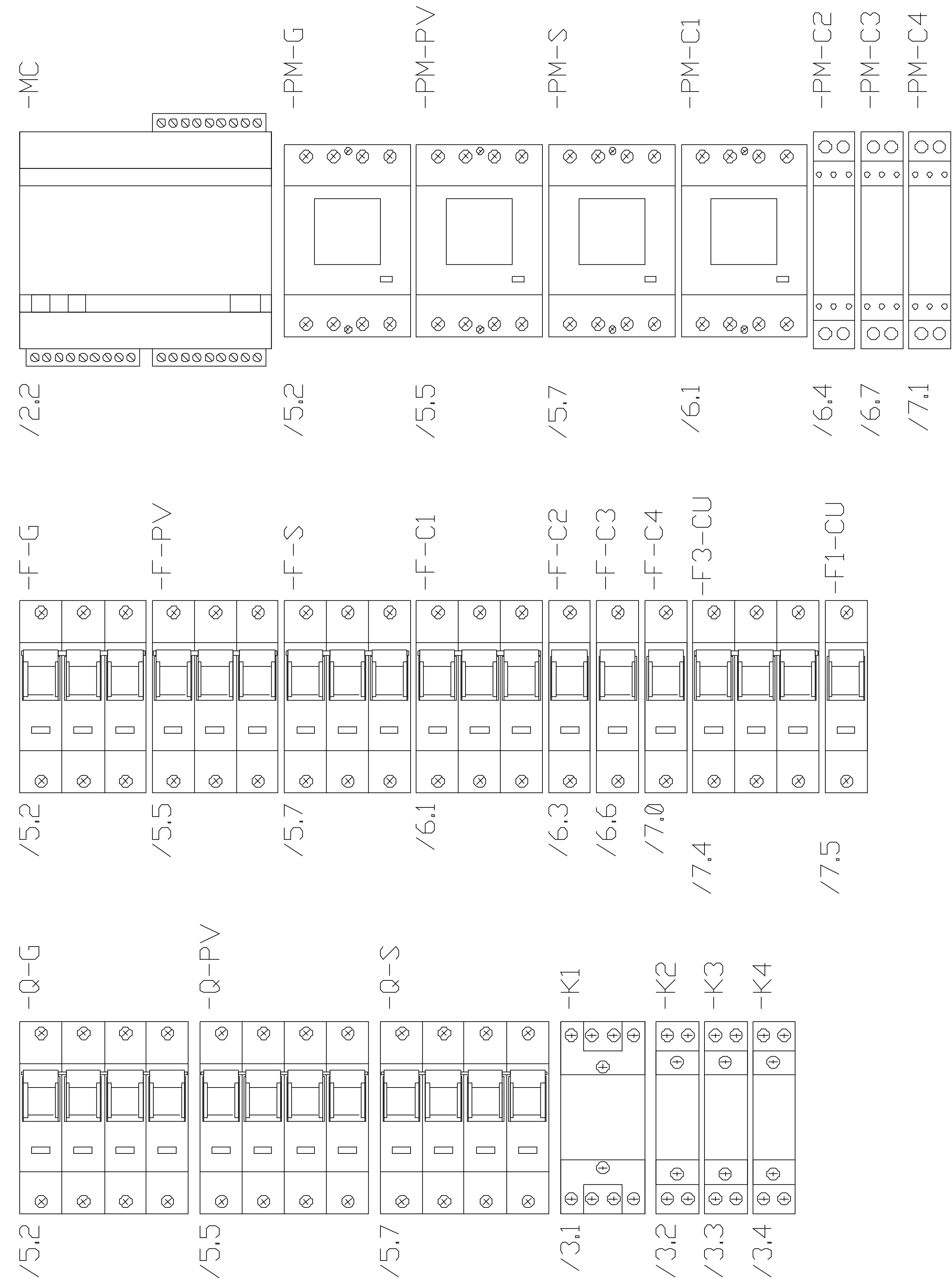
Last changed by	GK
Last changed	20/9/2018
Print date	21/9/2018



HEMS G2

Drawing number	000
Pages	8

Installation =	
Location +	
Page number	7



				Last changed by GK	 Robotina d.o.o. OIC Kozina 38 SI-6240 Kozina	CABINET LAYOUT  HEMS G2	Drawing number 000	Installation =
			Last changed 21/9/2018	Pages 8			Location +	
Rev	Revision text	Signature	Date	Print date 21/9/2018			Page number 8	