

Wind Speed Sensor

FIRSTRATE SENSOR PRODUCTS

FST200-201 Auto-heated Wind Speed Sensor

F200-201 wind speed sensor is a high-reliability, high-performance wind measurement sensors, It is with heated de-icing capability. The relationship between electrical signal and the environmental wind speed output is linear, It is built-in strong anti-radio, anti-electromagnetic interference and anti-lightning surge protection circuitry circuit.

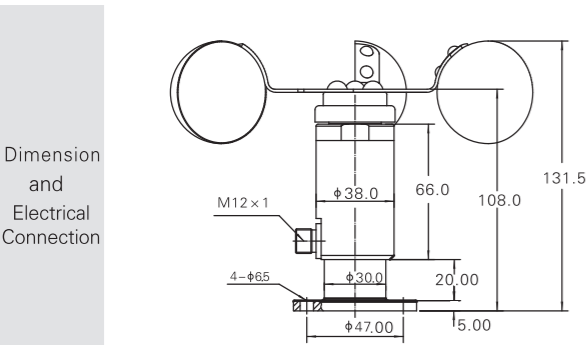
It is applied to test wind speed in aerial work platform, engineering machinery, port machinery and other and other industry. It adapts to harsh and low temperature environment .The main structure is made of alloy material and is surface treated with good waterproof, anti-corrosion capability. Its internal and rotating components are sealed design that can effectively prevent water, salt spray and dust and other intrusion.



- Product Features**
- Non-contact magnetic sensor measuring principle, high accuracy and reliability;
 - Strong wind resistance, strong corrosion resistance;
 - Wide wind speed measurement range, with low starting wind speed;
 - Compact design, automatic heating , low temperature defrosting;
 - Compact design, automatic heating device in one, low except Frost;
 - Sensor circuit protection with fault-tolerant capability;
 - Meet CE EMC standard, multi-levels for anti-lightning anti-surge design;

- Application Scope**
- Wind speed monitoring in frigid, high moisture, easy to freeze factories, power plants, ports, mines;
 - Wind speed monitoring in wind turbines, large machinery and equipment;

Project	Parameter			
Power supply	12~30VDC	12~30VDC	15~30VDC	5VDC OR 24VDC
Signal output	4~20mA	0~5V	0~10V	Pulse output
Startup wind speed	≤0.5m/s		Testing range	0.5~50m/S
Accuracy	± 0.5m/S (< 5m/s) ; ± 3%FS (≥5m/s)		Anti-Wind strength	>70m/S
Surge protection	EMC III		Protection rate	IP55
Working temperature	-40℃~+85℃		Electrostatic Protection	15KV
Heat ways	PTC Auto-heated		Humidity	0%~95%(Non-condensing)
Heat Power	DC24V		Wind cup material	Stainless steel 304
Heat Power	< 50W		Body material	Aluminum / polyester coating



M12 connector	Signal output	No.	Wiring method	
	Current/Voltage/Pulse (Selection)	1	+Vcc (positive power)	Brown
		2	+Signal out	White
		3	GND	Blue
		4	Heat24V+	Black
		5	Heat24V-	Grey

Wind Direction Sensor

FIRSTRATE SENSOR PRODUCTS

FST200-202 Auto-heated Wind Direction Sensor

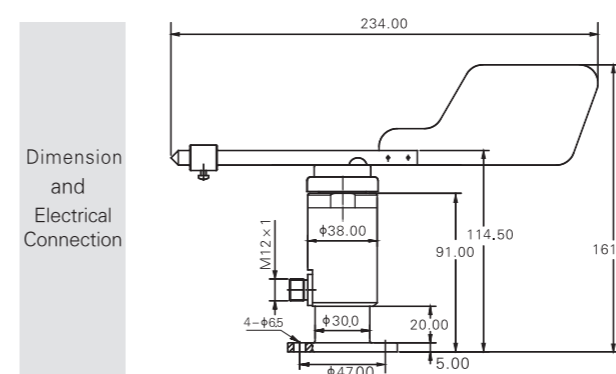
F200-202 wind direction sensor is a high-reliability, high-performance wind direction measurement sensors, It is with auto-heated de-icing capabilities. It is built-in strong anti-radio, anti-electromagnetic interference and anti-lightning surge protection circuitry circuit. It is applied to test wind direction in construction machinery, railway, port, dock, powder plant, weather station, ropeway, greenhouse, aquaculture, and other industry. It is adapt to harsh and low temperature environment . The main structure is made of alloy material and is surface treated with good waterproof, anti-corrosion capability. Its internal and rotating components are sealed design that can effectively prevent water, salt spray and dust and other intrusion.



- Product Features**
- Non-contact magnetic sensor measuring principle, high accuracy and reliability;
 - Strong wind resistance, strong corrosion resistance;
 - Compact design, automatic heating , low temperature defrosting;
 - Sensor circuit protection with fault-tolerant capability;
 - Meet CE EMC standard, Multi-levels for anti-lightning anti-surge design

- Application Scope**
- Weather, wind direction monitoring of large mechanical equipment etc.
 - Wind direction monitoring in frigid, high moisture, easy to freeze factories, power plants, ports, mines,

Project	Parameter			
Power supply	12~30VDC	12~30VDC	15~30VDC	
Signal output	4~20mA	0~5V	0~10V	
Startup wind speed	≤0.5m/s		Testing range	0 ~ 360 °
Accuracy	± 3°		Anti-Wind strength	>70m/S
Direction	16		Resolution	22.5°
Surge protection	EMC III		Protection rate	IP55
Working temperature	-40℃~+85℃		Electrostatic protection	15KV
Heat ways	PTC Auto-heated		Humidity	0%~95%(Non-condensing)
Heat power	DC24V		Wind cup material	Stainless steel 304
Heat power	< 50W		Body material	Aluminum / polyester coating



M12 connector	Signal output	No.	Wiring method	
	Current/Voltage/Pulse (Selection)	1	+Vcc (positive power)	Brown
		2	+Signal out	White
		3	GND	Blue
		4	Heat24V+	Black
		5	Heat24V-	Grey